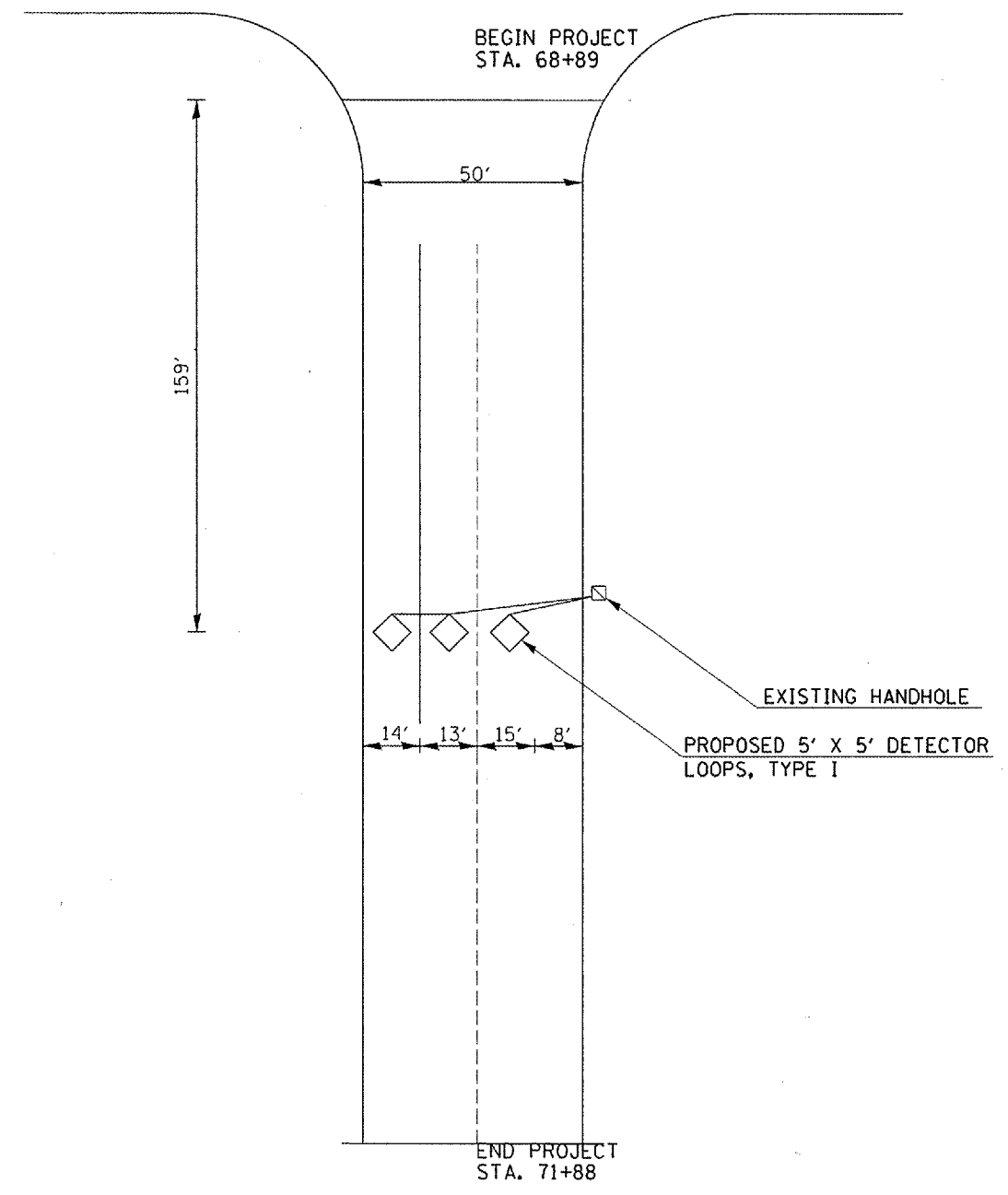
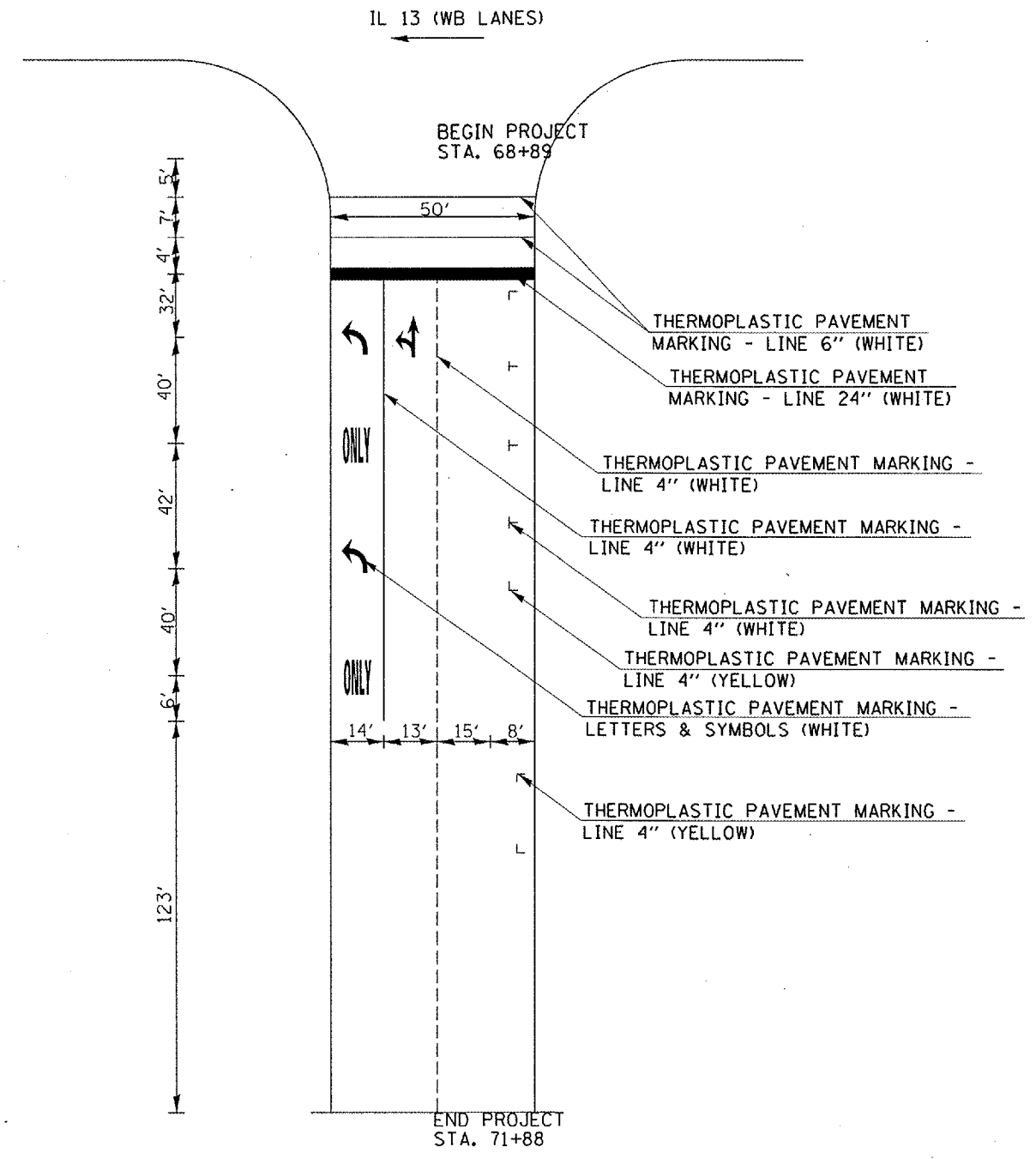


F.A. RTE.	SECTION	COUNTY	TOTAL SHEETS	SHEET NO.
VAR	*	JACKSON	23	18
STA.		TO STA.		
FED. ROAD DIST. NO.		ILLINOIS FED. AID PROJECT		
* D-9 CONT. MAINT. FY 06-10				

LOCATION #2
 FAP 322 (U.S. 51)
 JACKSON CO.
 PAVEMENT MARKING DETAIL
 NOT TO SCALE

LOCATION #2
 FAP 322 (U.S. 51)
 JACKSON CO.
 DETECTOR LOOP DETAIL
 NOT TO SCALE



* DIMENSIONS ARE TO THE CENTER OF PAVEMENT MARKINGS

* DIMENSIONS ARE TO THE CENTER OF DETECTOR LOOPS

PLOT DATE = 2/9/2006
 FILE NAME = c:\prow\meta\j082006\lpmcat-m32
 PLOT SCALE = 100.0000' / 1" / N
 USER NAME = follar