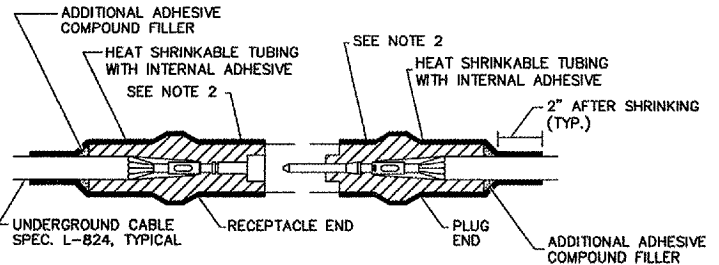


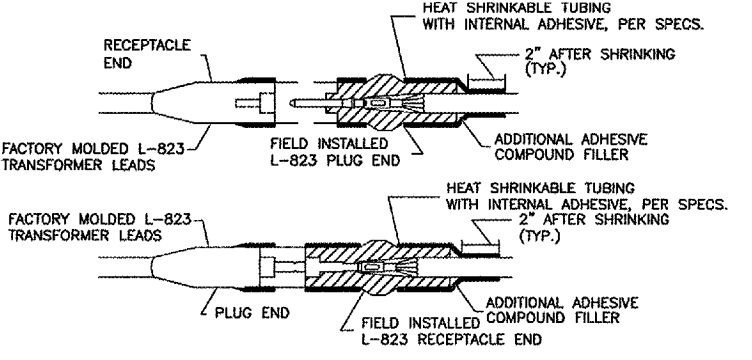
TYPE A - CABLE SPLICE

FOR SPLICES IN HOMERUNS AND FOR EXTENSIONS TO EXISTING CABLES ONLY
 N.T.S.



TYPE B - CABLE SPLICE

FOR SPLICES FOR USE AT JUNCTION OF HOMERUN WITH LOOP CIRCUIT
 N.T.S.

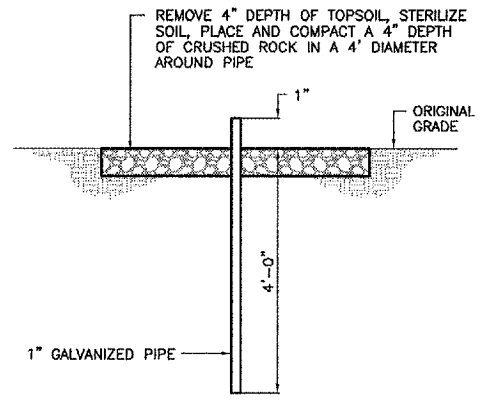


TYPE C AND D - CABLE SPLICE

FOR SPLICES AT RUNWAY/TAXIWAY LIGHTS AND SIGNS
 N.T.S.

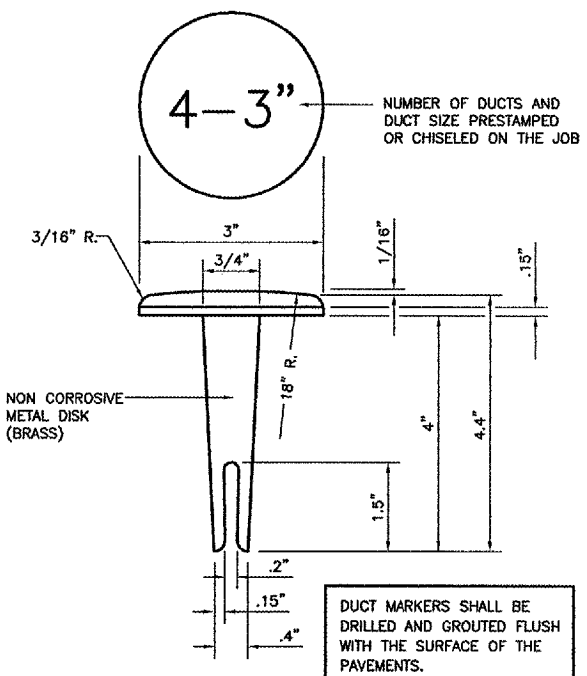
NOTES

1. INSIDE DIAMETER OF CONNECTOR SHALL PROPERLY MATCH THE OUTSIDE DIAMETER OF CABLE.
2. WRAP WITH AT LEAST ONE LAYER OF RUBBER OR SYNTHETIC RUBBER TAPE AND ONE LAYER OF PLASTIC TAPE, ONE-HALF LAPPED, EXTENDING AT LEAST 1-1/2 INCHES ON EACH SIDE OF JOINT.
3. THE COST OF FURNISHING AND INSTALLING ALL SPLICE MATERIALS SHALL BE INCIDENTAL TO THE ASSOCIATED CABLE ITEMS.
4. THE CONTRACTOR SHALL HAVE A MINIMUM OF TWO (2) TYPE A SPLICE KITS ON THE JOB SITE AT ALL TIMES FOR EMERGENCY REPAIRS.

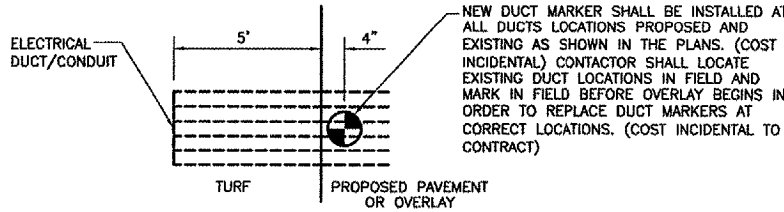


LOCALIZER GROUND CHECK POINT IN SOIL

N.T.S.

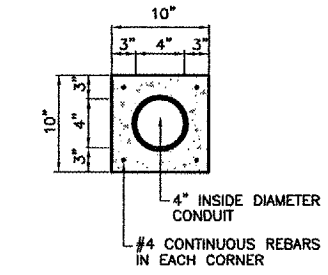


DUCT MARKERS SHALL BE DRILLED AND GROUTED FLUSH WITH THE SURFACE OF THE PAVEMENTS.

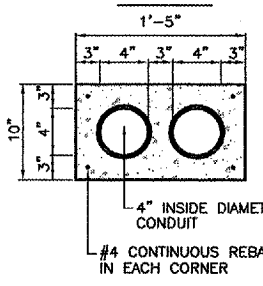


DUCT/CONDUIT MARKER DETAIL

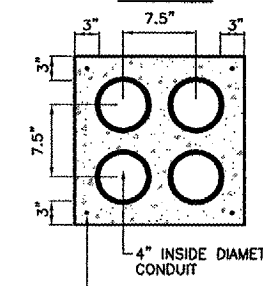
NOT TO SCALE



1-WAY



2-WAY



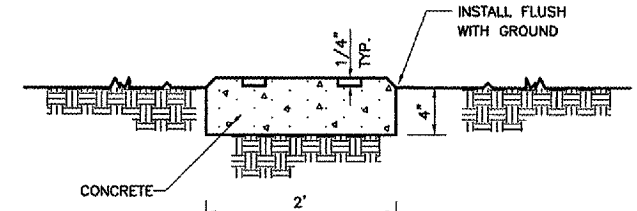
4-WAY

CONCRETE ENCASED DUCT BANKS

NOT TO SCALE

NOTES:

1. DIMENSIONS ARE MINIMUM.
2. CONCRETE SHALL CONFORM TO ITEM 610.
3. ALL CONDUIT SHALL BE SCHEDULE 40 PVC.
4. TOP OF CONCRETE ENCASEMENT IN TURF AREAS SHALL NOT BE LESS THAN 24" BELOW FINISHED GRADE.
5. 4" SPLIT DUCT SHALL BE CONCRETE ENCASED WITH 3" MINIMUM CONCRETE SURROUNDING 4" CONDUIT. COST INCIDENTAL TO SPLIT DUCT.

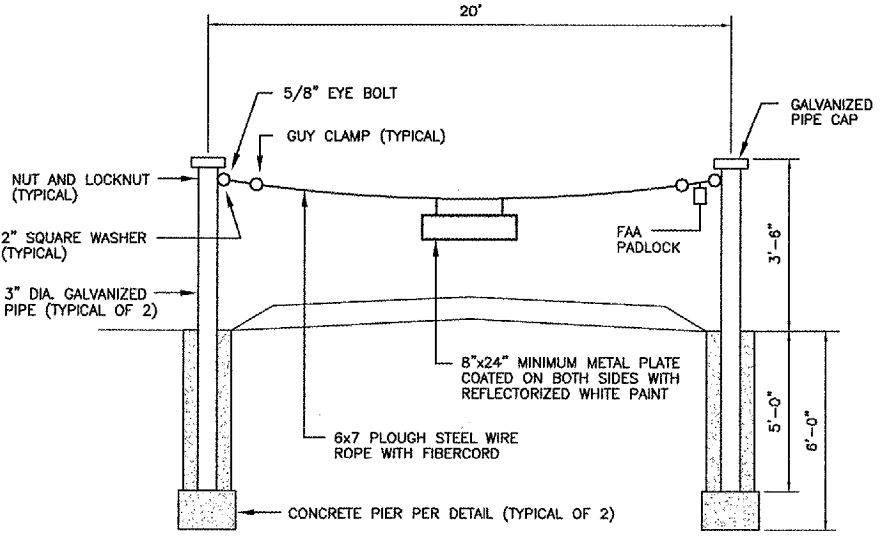


TURF CABLE MARKER DETAIL

NO SCALE

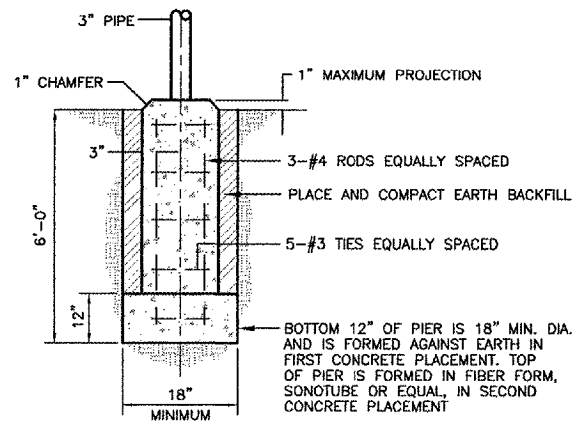
NOTES

- 1.) CABLE MARKERS SHALL BE INSTALLED AT ALL BENDS AND EVERY 200' ALONG THE CABLE RUN.
- 2.) ITEM 610 CONCRETE SHALL BE USED.
- 3.) ALL EXPOSED EDGES SHALL BE EDGED WITH A 1/4" RADIUS TOOL.
- 4.) THE COST OF FURNISHING AND INSTALLING NEW MARKERS SHALL BE INCIDENTAL TO THE ASSOCIATED CABLE ITEMS.
- 5.) 0.049 CU. YD. CONCRETE PER MARKER.



CABLE BARRIER

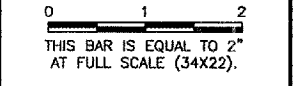
NOT TO SCALE



PIER FOUNDATION

NOT TO SCALE

REVISIONS		
NUMBER	BY	DATE



**AURORA MUNICIPAL AIRPORT
 AURORA, ILLINOIS
 CONSTRUCT RUNWAY 33 ILS,
 RELOCATE RUNWAY 9 LOCALIZER**

ELECTRICAL/MISCELLANEOUS DETAILS

© Copyright CMT, Inc.
CMT
 CRANFORD, MURPHY & TILLY, INC.
 CONSULTING ENGINEERS
 License No. 184-000618



DESIGN BY:	CAL
DRAWN BY:	JRO
CHECKED BY:	CAL
APPROVED BY:	
DATE:	03/03/06
JOB No:	04285-04
ILLINOIS PROJECT:	ARR-3468
A.I.P. PROJECT:	3-17-0003-B31
FINAL SUBMITTAL	
SHEET	21 OF 66 SHEETS