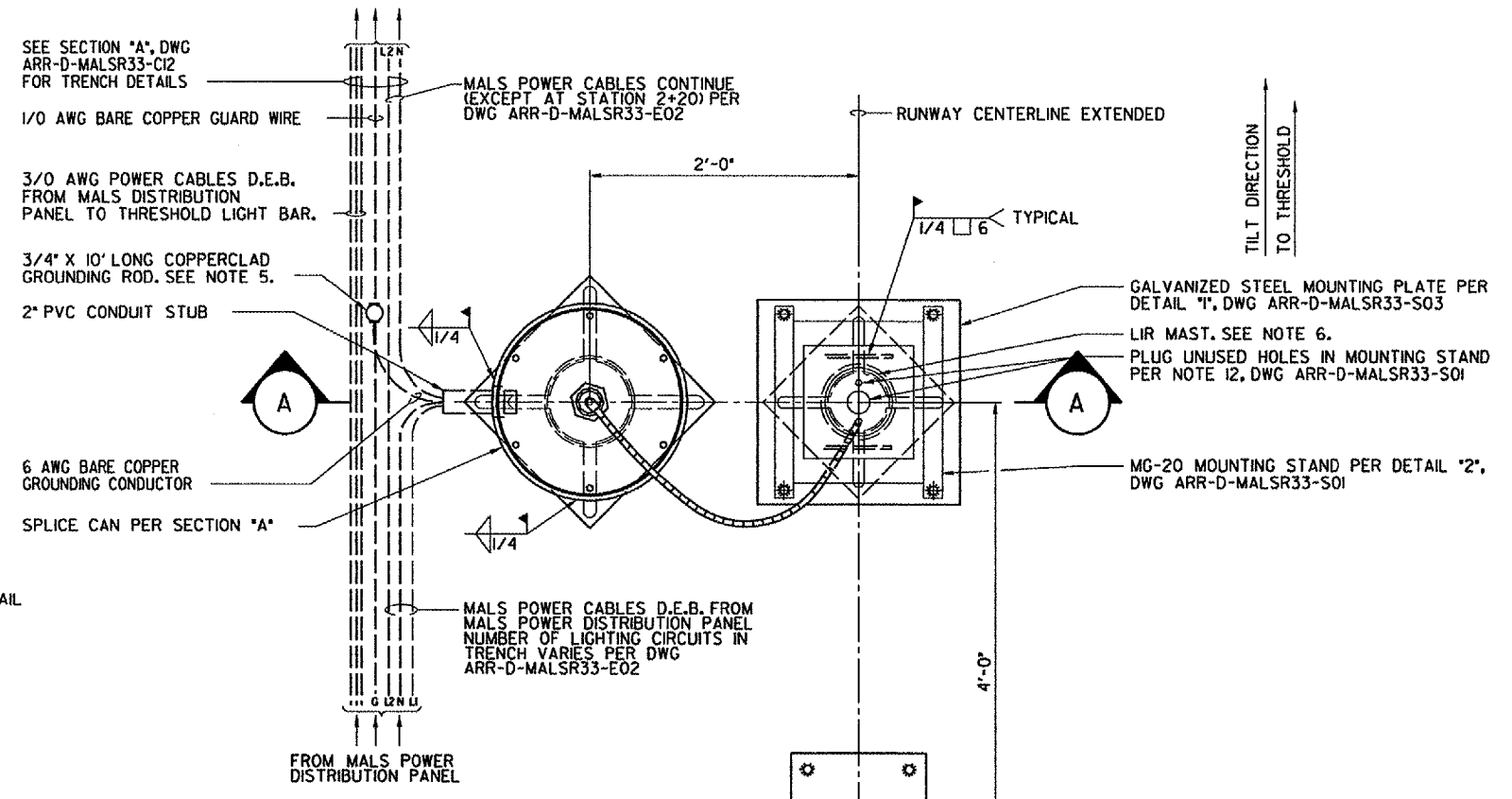


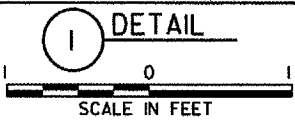
NOTES:

1. SEE DWG ARR-D-MALSR33-COIFOR LAMP CENTERLINE AND FOUNDATION TOP ELEVATIONS.
2. LIR STRUCTURE SHALL PIVOT TOWARD THE RUNWAY THRESHOLD. SEE NOTE 1, DWG ARR-D-MALSR33-SO1 FOR LIR TUBE CUTTING LENGTH CALCULATION AND MG-20 LIR STRUCTURE ASSEMBLY DETAILS
3. SCREW ANCHOR FOUNDATIONS SHALL CONSIST OF A.B. CHANCE 'INSTANT' FOUNDATIONS, CAT. NO. CT112-0262 FOR LIR TOWER AND WINCH FOUNDATIONS, AND CAT. NO. CH2-42NG4VP FOR SPLICE CAN FOUNDATION. SEE SPECIFICATION FAA-GL-918C, SECTION 13B FOR INSTRUCTIONS REGARDING INSTALLATION OF THE ANCHORS.
4. EXCAVATE 2' DEEP HOLE AT TRANSFORMER HOUSING LOCATION SHOWN, DRIVE SCREW ANCHOR SUCH THAT TOP OF PLATE IS 20" BELOW FINISHED GRADE. WELD TRANSFORMER HOUSING BASE TO THE TOP OF THE ANCHOR MOUNTING PLATE AS SHOWN, WITH FLEX-CONNEX GROMMETS ORIENTED PROPERLY.
5. ALL CONNECTIONS TO GROUNDING RODS SHALL BE MADE USING EXOTHERMIC WELDS PER SPECIFICATIONS.
6. FOUNDATION SHALL BE CONSTRUCTED SUCH THAT LIR MAST IS CENTERED AT THE RUNWAY STATION SHOWN ON DWG ARR-D-MALSR33-CO1.
7. SEE DETAILS *3* AND *5*, DWG ARR-D-MALSR33-EOIFOR LIR LIGHT BAR WIRING AND LAMPHOLDER INSTALLATION DETAILS.



CONTRACTOR SHALL SUBMIT REQUESTS FOR SUBSTITUTION OF SPECIFIC MANUFACTURER'S ITEMS SHOWN PER PARAGRAPH 1 OF THE SPECIAL SPECIFICATIONS.

PLAN FOUNDATION LAYOUT FOR STEADY-BURNING LIGHT BAR



DEPARTMENT OF TRANSPORTATION
FEDERAL AVIATION ADMINISTRATION
 GREAT LAKES REGION CHICAGO, ILLINOIS

MALSR
FOUNDATION DETAILS FOR STEADY-BURNING LIGHT BAR AT STATION 2+20, STATION 4+40, AND STATION 6+60

AURORA AURORA MUNICIPAL AIRPORT IL

REVIEWED BY	SUBMITTED BY	APPROVED BY
DESIGNED	ISSUED BY	PLATFORM MGR.
DRAWN	DATE	JCN
CHECKED	EGS	ARR-D-MALSR33-C05

I:\work\0428504\Drawings\0428504.dwg 3/16/2006 3:48:59 PM 3/16/2006 3:48:59 PM 3/16/2006 3:48:59 PM