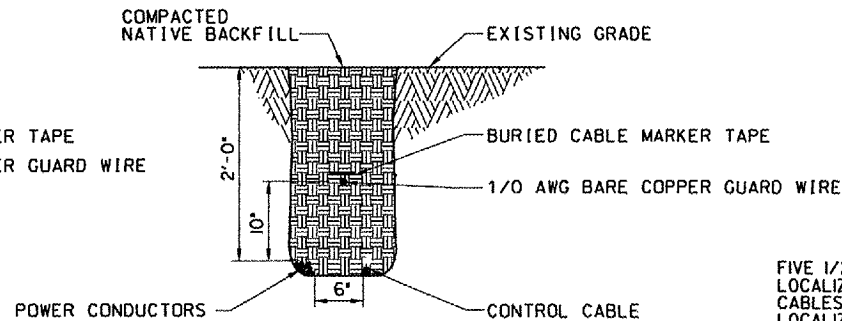


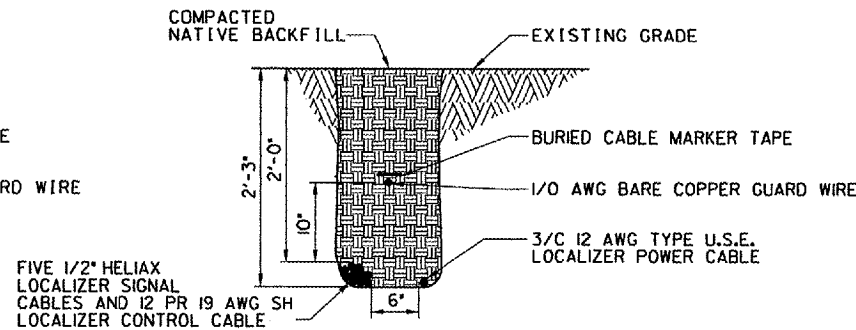
TYPICAL D.E.B. TRENCH FOR POWER CABLES

(A) SECTION



TYPICAL D.E.B. TRENCH FOR POWER AND CONTROL CABLES IN COMMON TRENCH

(B) SECTION

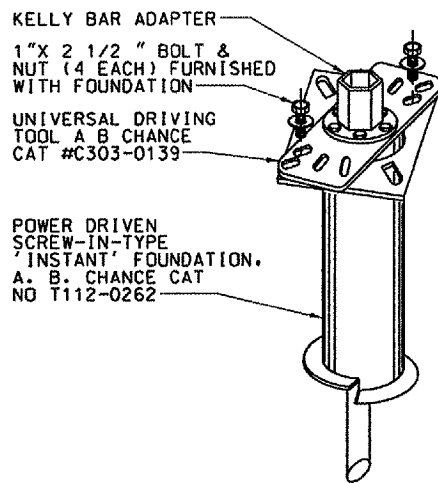


TYPICAL D.E.B. TRENCH FOR POWER AND CONTROL CABLES IN COMMON TRENCH TO LOCALIZER ANTENNA

(C) SECTION

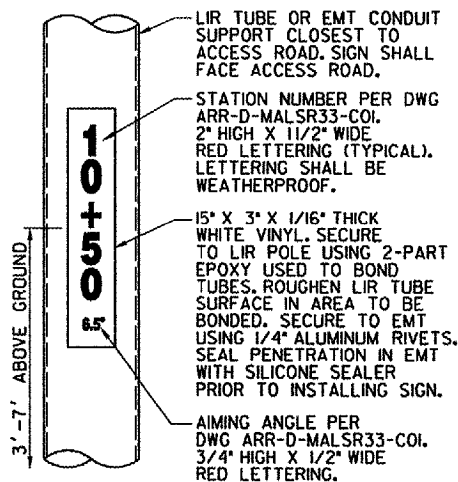


SCALE IN FEET



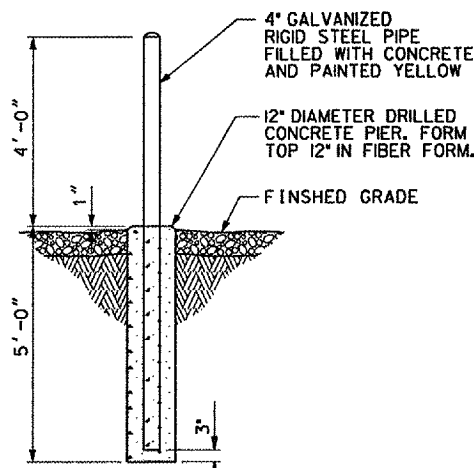
(1) DETAIL NOT TO SCALE

GALVANIZED STEEL SCREW ANCHOR FOUNDATION ADAPTATION TO POWER DRIVING EQUIPMENT (SEE SECTION 13D OF SPECIFICATION FAA-GL-918C)



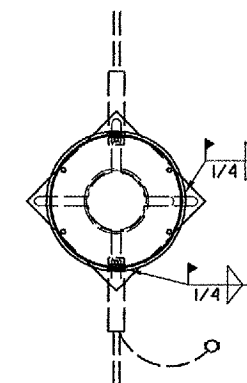
STATION NUMBER AND AIMING ANGLE IDENTIFICATION

(4) DETAIL NOT TO SCALE

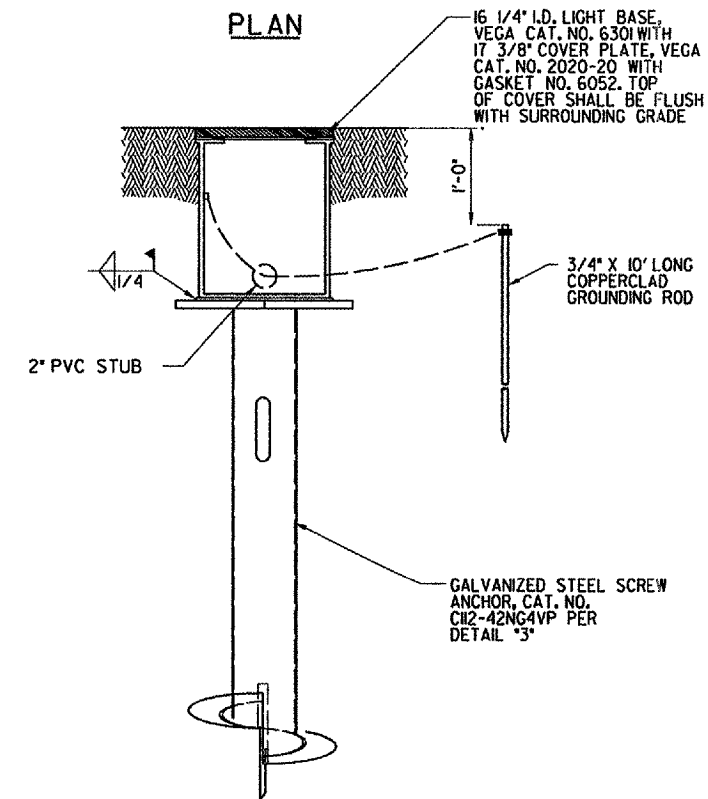


(2) DETAIL NOT TO SCALE

BOLLARD

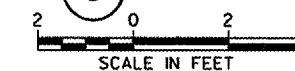


PLAN



SPLICE CAN INSTALLATION

(5) DETAIL



SCALE IN FEET

CONTRACTOR SHALL SUBMIT REQUESTS FOR SUBSTITUTION OF SPECIFIC MANUFACTURER'S ITEMS SHOWN PER PARAGRAPH 10 OF THE SPECIAL SPECIFICATIONS.

DEPARTMENT OF TRANSPORTATION
FEDERAL AVIATION ADMINISTRATION
GREAT LAKES REGION CHICAGO, ILLINOIS

MALSR

MISCELLANEOUS DETAILS

AURORA		AURORA MUNICIPAL AIRPORT		IL
REVIEWED BY	SUBMITTED BY	APPROVED BY		
DESIGNED	TAD	ISSUED BY	DATE	JCN
DRAWN	TAD	CHICAGO NAS IMPLEMENTATION CENTER	02/27/2006	
CHECKED	EGS			
PLATFORM MGR.	CLELAND MICHEEL			
ARR-D-MALSR33-C12				

REV	DATE	DESCRIPTION	JCN	REDLINE DATE	APPROVED

K:\a\c\c\0428504\Aurora\misc\details\35-01-MALSR33-C12.dwg
 3/15/2006 3:49:15 PM THAMES