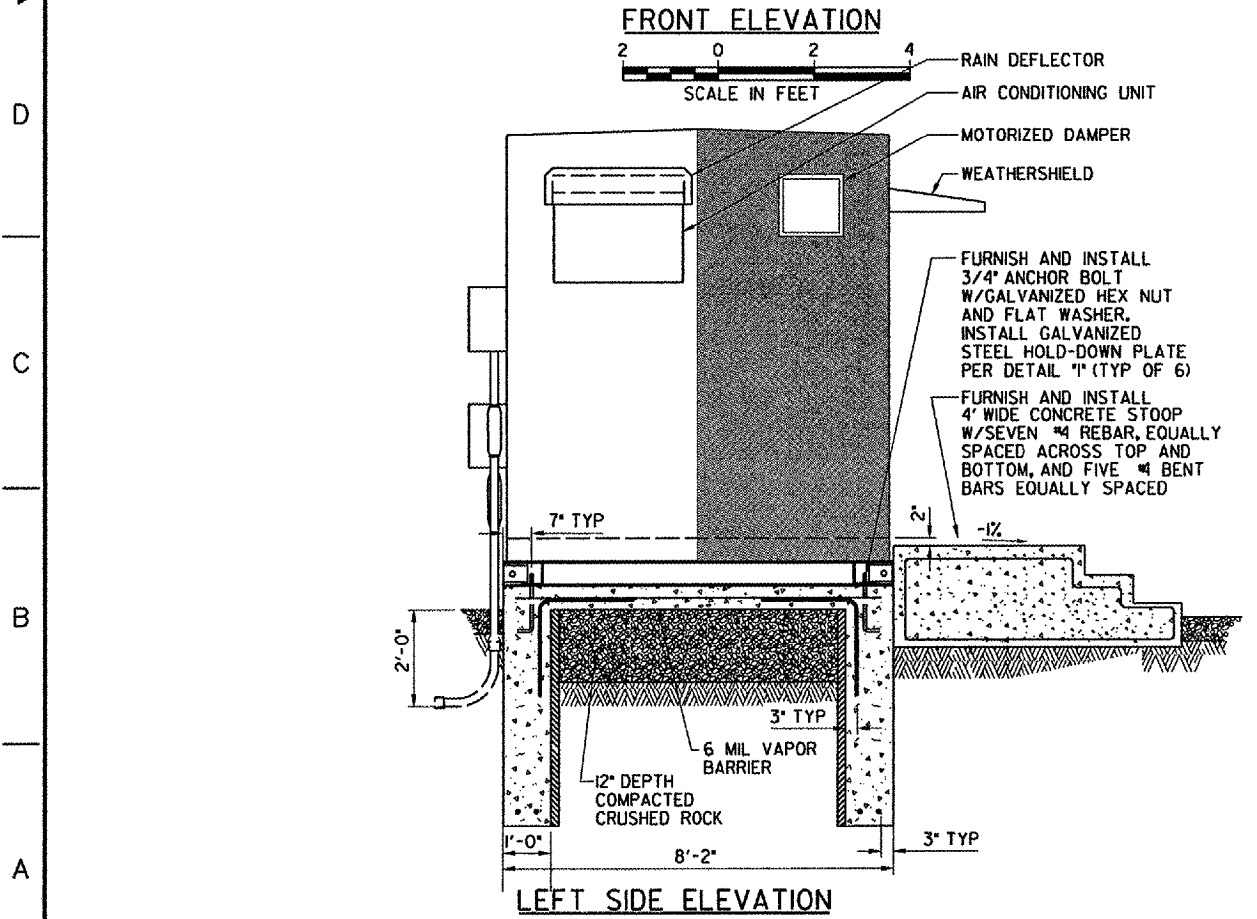
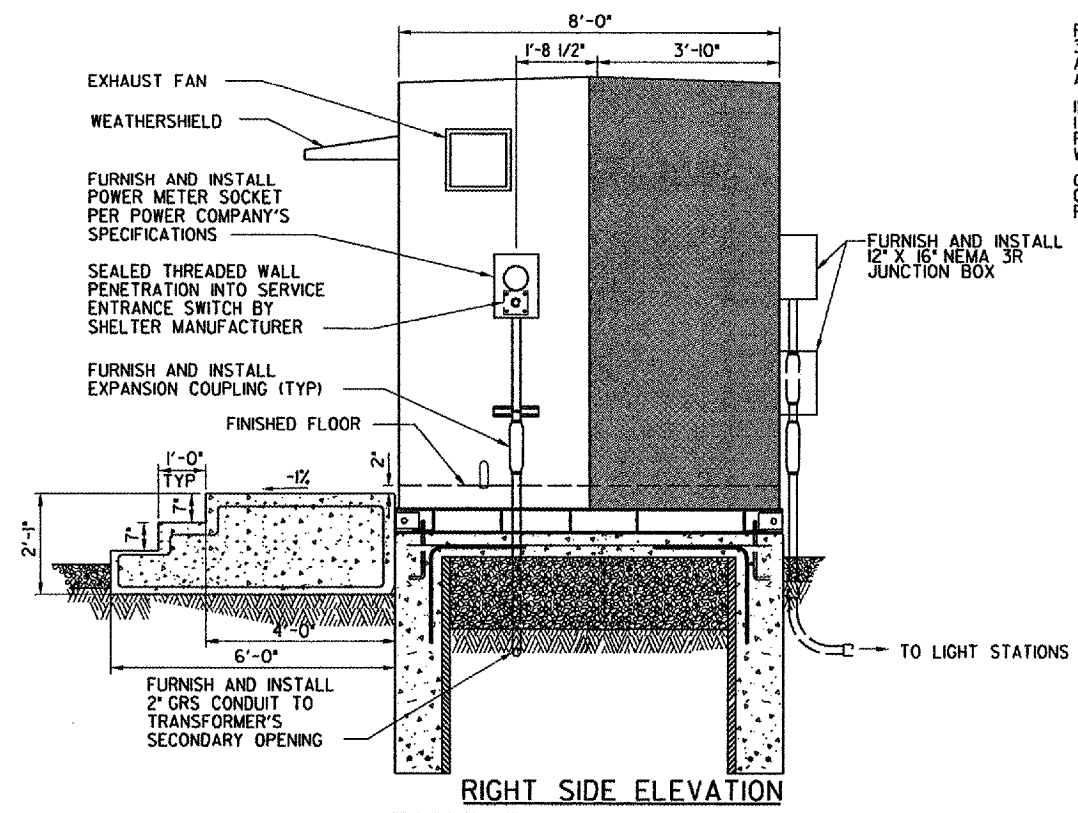


- NOTES:**
1. PREFABRICATED EQUIPMENT SHELTER WILL BE DELIVERED TO THE AIRPORT PER THE LOCAL FAA SECTOR FIELD OFFICE'S INSTRUCTIONS. CONTRACTOR SHALL CONTACT MR. DAN GEIST AT (815) 509-3200 TO ARRANGE PICK-UP OF THE SHELTER FROM ITS STORAGE LOCATION AND RELOCATION TO THE SITE.
  2. REFER TO PROJECT SPECIAL PROVISIONS FOR EXCAVATION DETAILS.
  3. REFER TO PROJECT SPECIAL PROVISIONS FOR CONCRETE DETAILS.
  4. SHELTER IS DELIVERED TO SITE WITH ELECTRICAL LIGHTS, SWITCHES, RECEPTACLES, AND LOCALIZER EQUIPMENT RACK MOUNTED INSIDE. EXTERIOR ELEMENTS ARE TO BE INSTALLED BY THE CONTRACTOR AND ARE SHIPPED LOOSE INSIDE SHELTER. SEE GOVERNMENT-FURNISHED PROPERTY LIST (GFPL) FOR A COMPLETE LIST OF ITEMS DELIVERED WITH OR INSTALLED IN EQUIPMENT SHELTER.

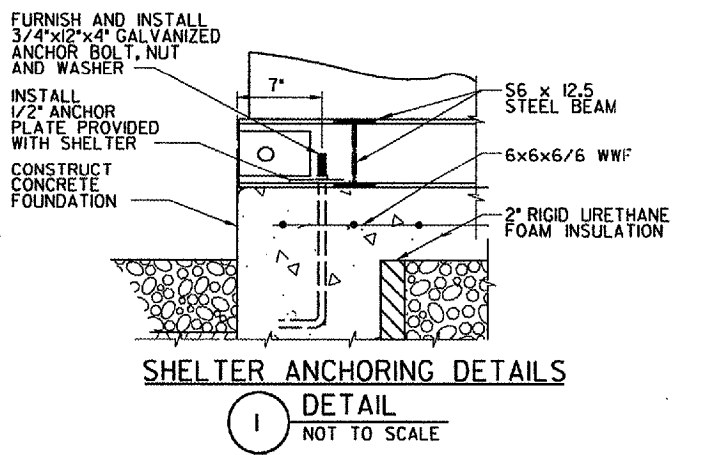
**FRONT ELEVATION**



**LEFT SIDE ELEVATION**



**RIGHT SIDE ELEVATION**



**SHELTER ANCHORING DETAILS**

**1 DETAIL NOT TO SCALE**

DEPARTMENT OF TRANSPORTATION  
**FEDERAL AVIATION ADMINISTRATION**  
 GREAT LAKES REGION CHICAGO, ILLINOIS

**MALSR**  
 EXTERIOR ELEVATIONS AND FOUNDATION  
 8' X 16' PRE-FABRICATED EQUIPMENT SHELTER

REVIEWED BY	SUBMITTED BY	APPROVED BY
DESIGNED	ISSUED BY	DATE
DRAWN	IMPLEMENTATION	02/21/2006
CHECKED	CENTER	

REV	DATE	DESCRIPTION	JCN	REDLINE DATE	APVD

I:\a\2006\0428544\2006\0428544.dwg, 3-6-06, ARR-D-MALSR33-A01.dwg  
 3/16/2006 3:48:52 PM BUNAKS  
 PLOT