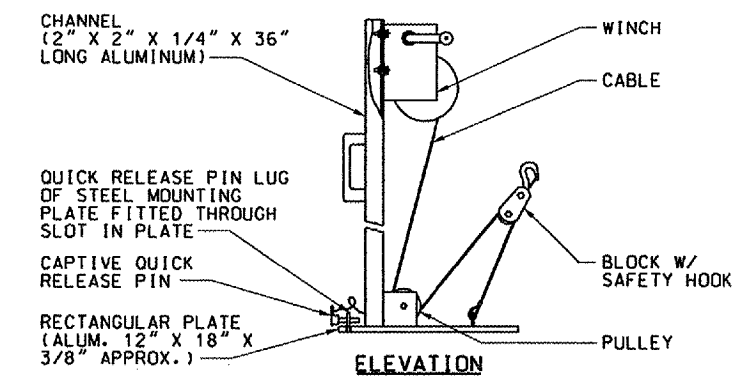
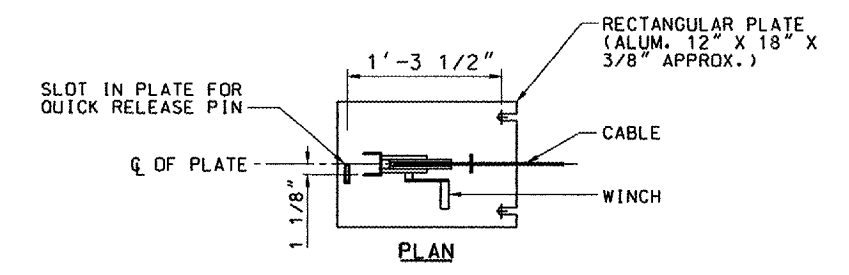
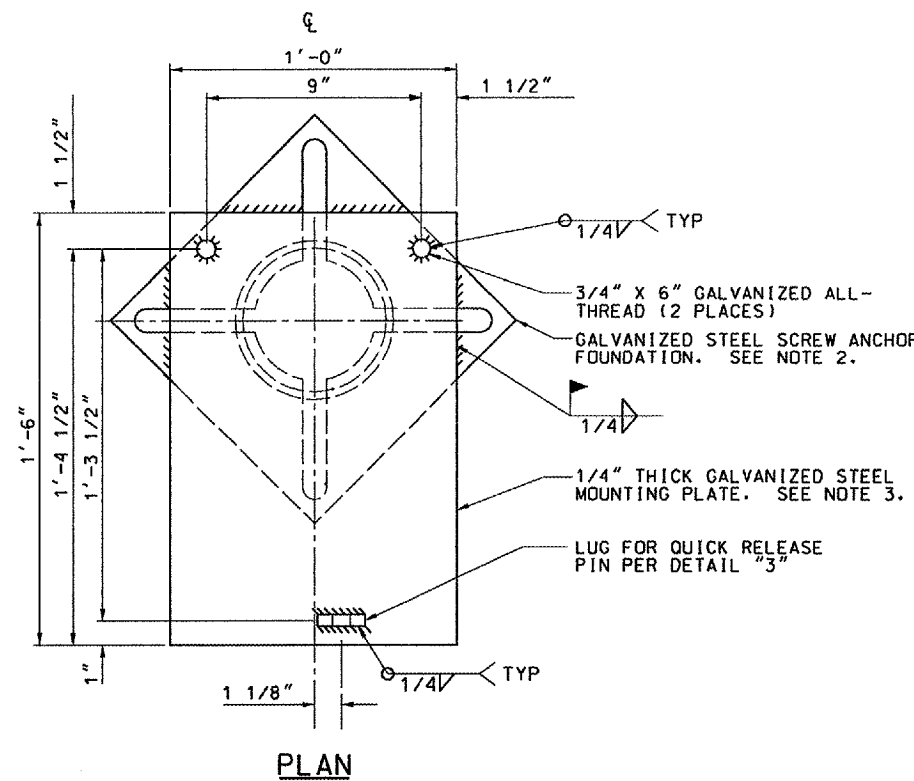
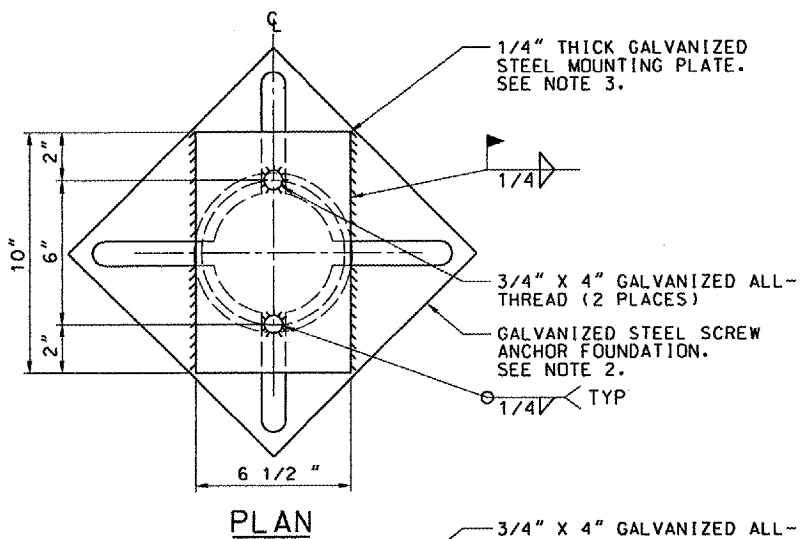
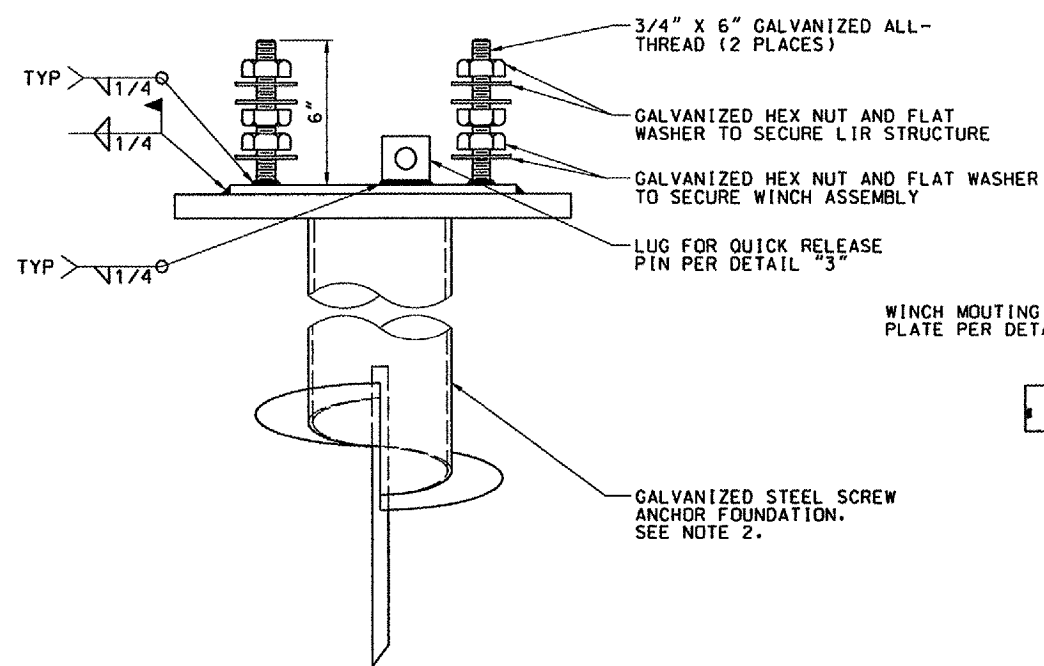
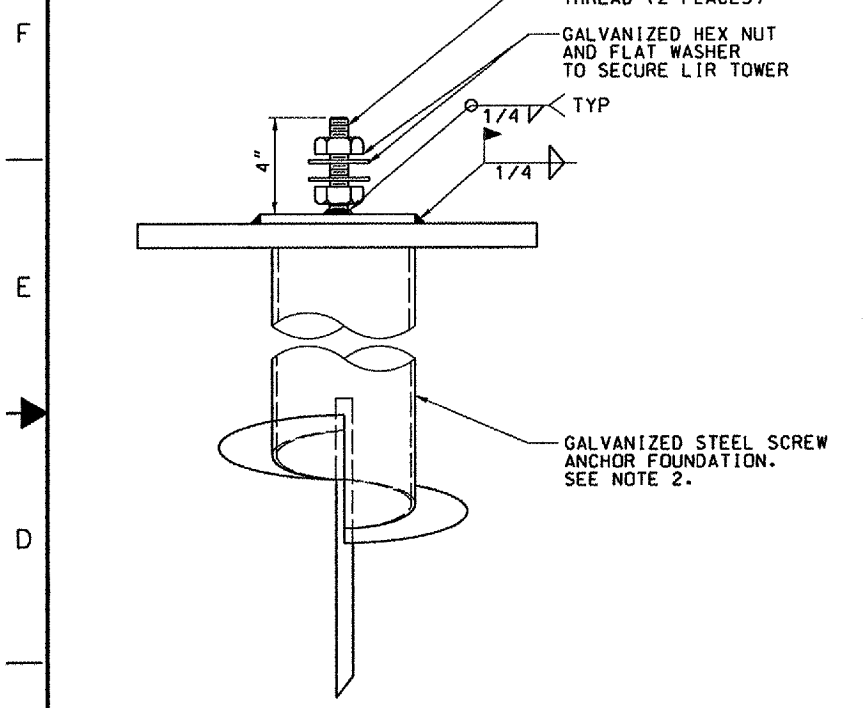


**NOTES:**

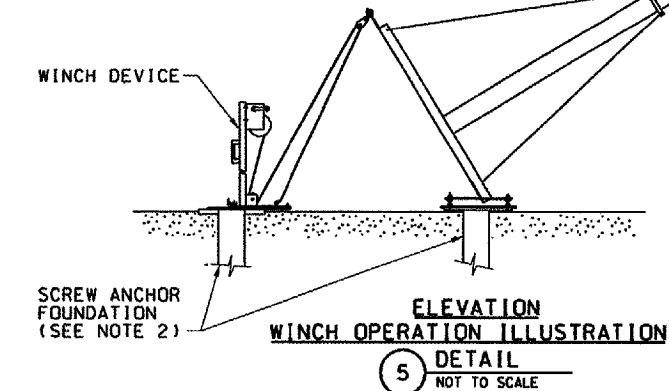
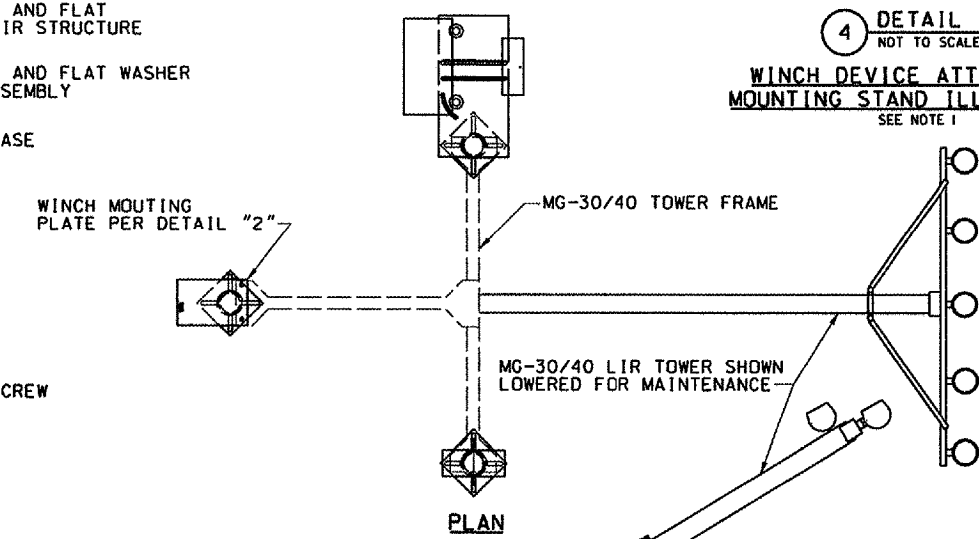
1. WINCH IS PROVIDED BY THE FAA WITH MALSR EQUIPMENT; DETAILS ARE FOR REFERENCE ONLY. WINCH SHALL BE DELIVERED TO RESIDENT ENGINEER AFTER TOWER INSTALLATION.
2. SCREW ANCHOR FOUNDATIONS SHALL BE STEEL STREETLIGHT FOUNDATIONS, A.B. CHANCE CAT. NO. CT112-0262. SEE THE SECTION 13D OF THE SPECIFICATION FAA-GL-918C FOR INSTRUCTIONS REGARDING INSTALLATION OF THE SCREW ANCHORS.
3. EXACT LOCATION OF SCREW ANCHOR FOUNDATION MAY VARY DUE TO SITE CONDITIONS. MOUNTING PLATES MAY BE SHIFTED TO ACCOMMODATE INSTALLATION OF LIR TOWER WITH LIR TUBE CENTERED AT STATION AND OFFSET LOCATION SHOWN ON SITE DRAWINGS. MOUNTING PLATES SHALL NOT BE SHIFTED MORE THAN 3" IN ANY DIRECTION.



**4** DETAIL  
NOT TO SCALE  
**WINCH DEVICE ATTACHED TO MOUNTING STAND ILLUSTRATION**  
SEE NOTE 1



**2** DETAIL  
SCALE IN INCHES



CONTRACTOR SHALL SUBMIT REQUESTS FOR SUBSTITUTION OF SPECIFIC MANUFACTURER'S ITEMS SHOWN PER PARAGRAPH 1 OF THE SPECIAL SPECIFICATIONS.

DEPARTMENT OF TRANSPORTATION FEDERAL AVIATION ADMINISTRATION GREAT LAKES REGION		CHICAGO, ILLINOIS	
MALSR MOUNTING PLATE FABRICATION DETAILS FOR FOR MG-30 LIR TOWER RUNWAY 33			
REVIEWED BY	SUBMITTED BY	APPROVED BY	IL
DESIGNED BY	ISSUED BY	DATE	JCN
DRAWN BY	IMPLEMENTATION CENTER	DRAWING NO.	REV
CHECKED BY	EDS	ARR-D-MALSR33-S04	

REV	DATE	DESCRIPTION	JCN	REDLINE DATE	APVD

I:\a\c\0808\0428504\Drawings\0428504.dwg  
 3/18/2006 3:48:34 PM RWMSZ  
 40739