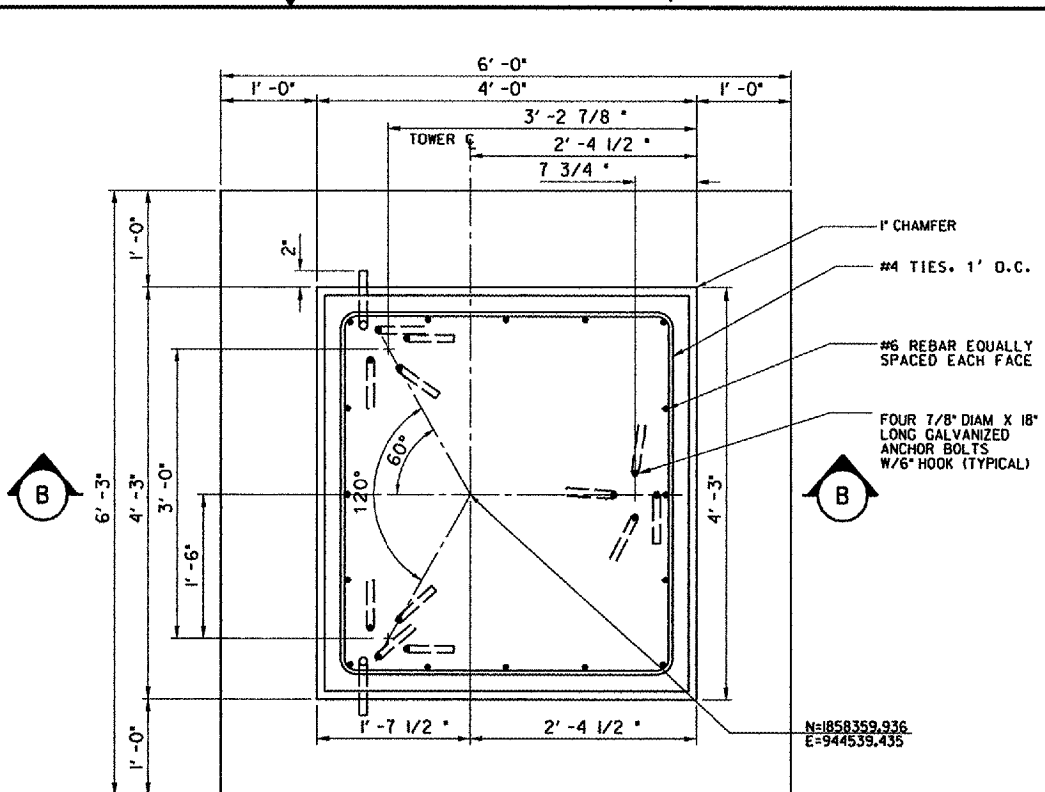


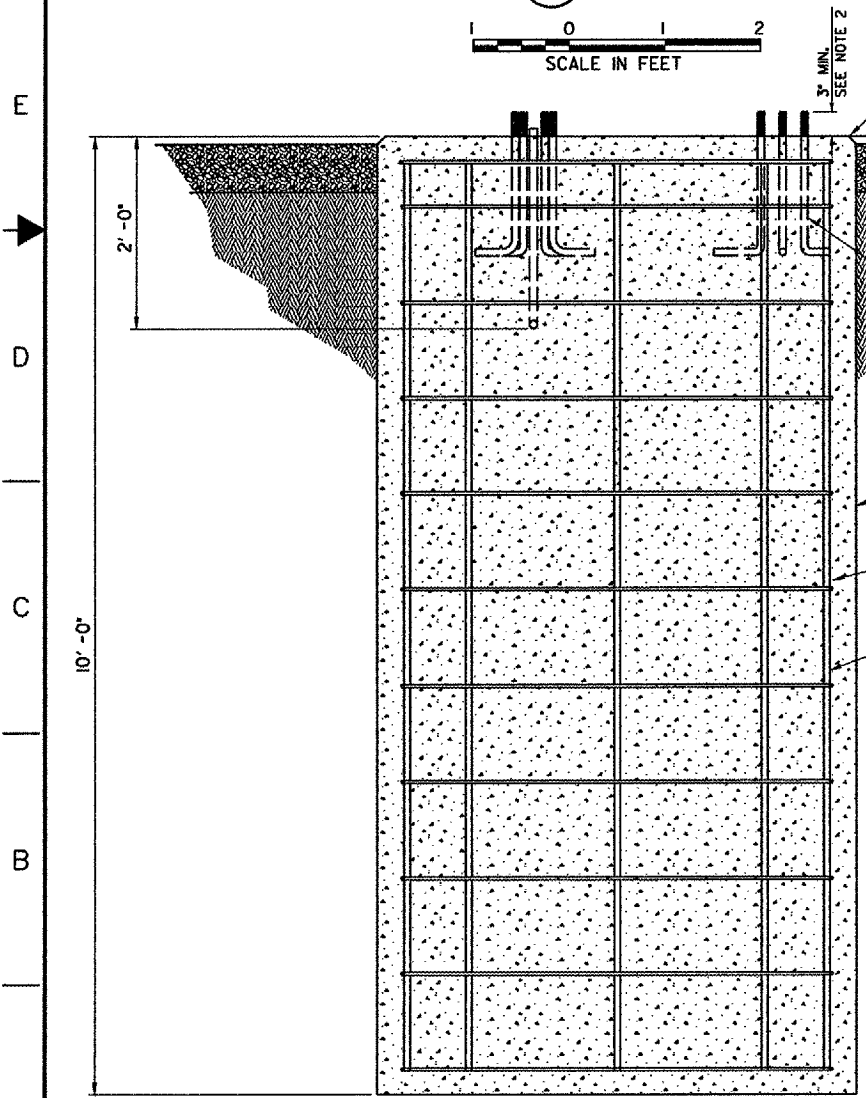
PLAN
OPTIONAL CONCRETE PIER FOUNDATION

1
DETAIL

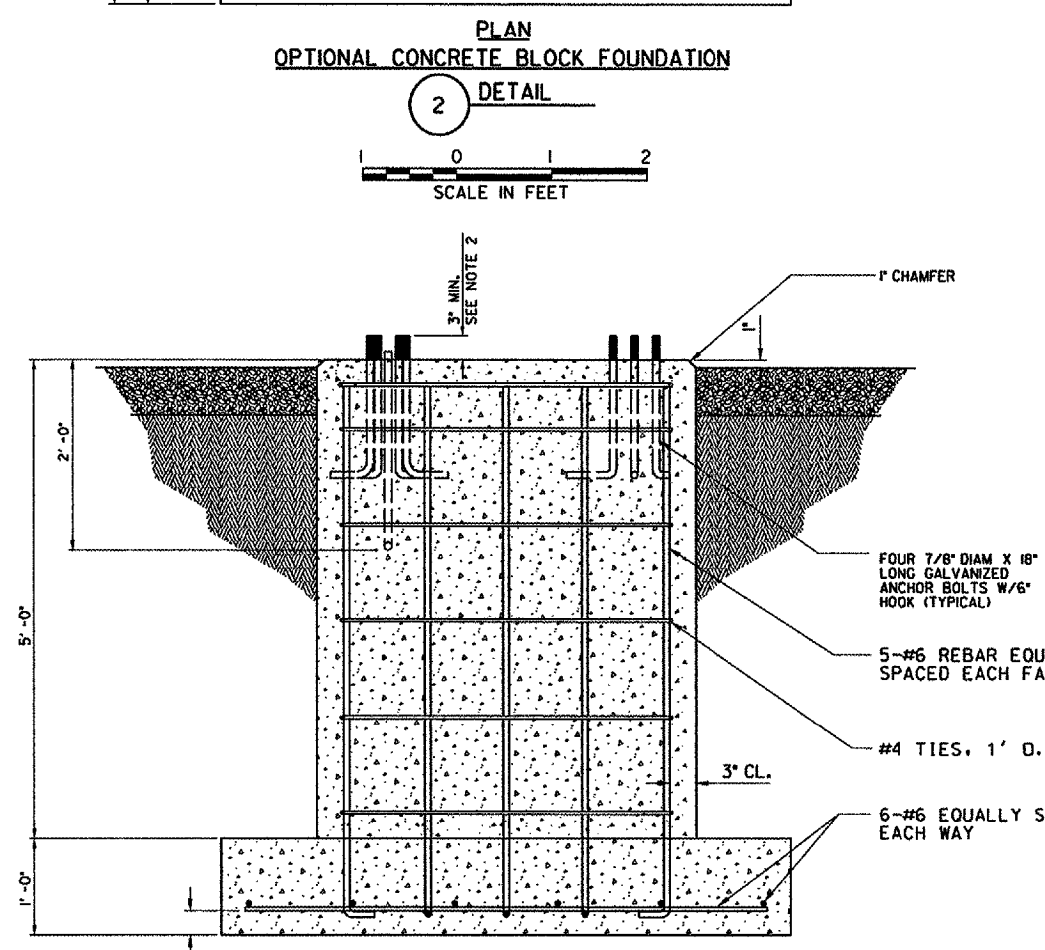


PLAN
OPTIONAL CONCRETE BLOCK FOUNDATION

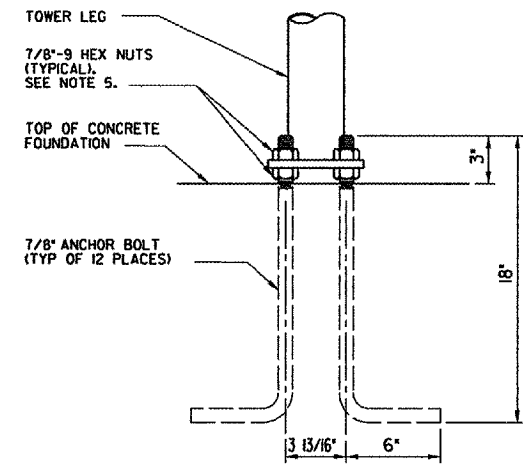
2
DETAIL



ELEVATION
A SECTION



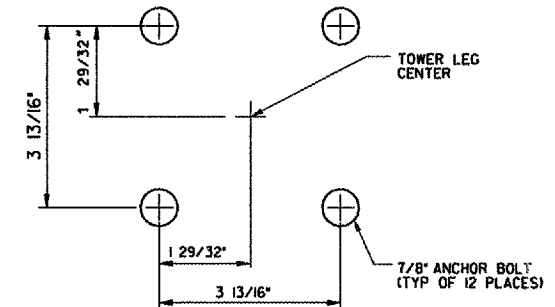
ELEVATION
B SECTION



ANCHOR BOLT LAYOUT

3
DETAIL

SCALE: NONE



ANCHOR BOLT LAYOUT

4
DETAIL

SCALE: NONE

NOTES:

1. SEE DWG ARR-D-GS33-COIFOR FOUNDATION LOCATION AND TOP ELEVATION.
2. HORIZONTAL TOLERANCES FOR GLIDE SLOPE ANTENNA MAST ANCHOR BOLTS ARE +/- 1/16" OF DIMENSIONS SHOWN, VERIFY ANCHOR BOLT TEMPLATE WITH REFERENCE TO TOWER BASE PRIOR TO PLACING CONCRETE.
3. REFER TO PROJECT SPECIAL REVISIONS FOR EXCAVATION DETAILS.
4. REFER TO PROJECT SPECIAL REVISIONS FOR CONCRETE DETAILS.
5. TOWER IS GROUTED UNDER ALL ANCHOR PLATES AFTER FINAL LEVELING ADJUSTMENT.

SHEET 47 OF 66

DEPARTMENT OF TRANSPORTATION
FEDERAL AVIATION ADMINISTRATION
GREAT LAKES REGION CHICAGO, ILLINOIS

GLIDE SLOPE
ANTENNA TOWER FOUNDATION DETAILS

AURORA		AURORA MUNICIPAL AIRPORT		IL
REVIEWED BY	SUBMITTED BY	APPROVED BY		
DESIGNED BY PROJ ENGR, TIMOTHY DYER	TAD	ISSUED BY PLATFORM MGR, CLELAND MICHEEL	DATE 02/21/2006	JCN
DRAWN BY EDS	TAD	IMPLEMENTATION CENTER	DRAWING NO ARR-D-GS33-C02	REV
CHECKED BY	EDS			

REV	DATE	DESCRIPTION	JCN	REDLINE DATE	APVD

W:\aerodoc\0228504\drawn\sheet\1\100 in drawing 3-6-05\ARR-D-GS33-C01.dwg
 3/16/2006 3:49:25 PM BKAMES
 00079