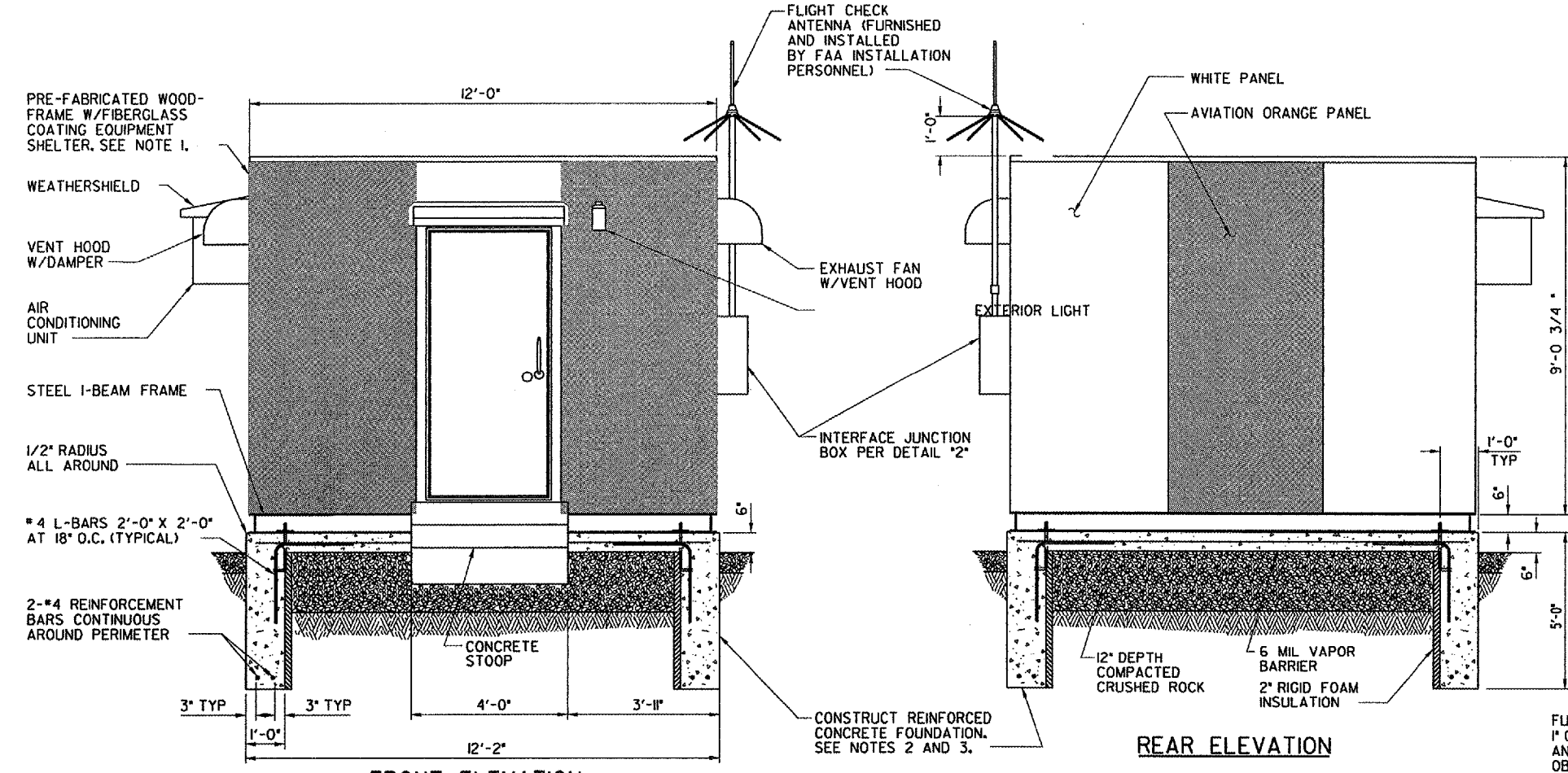
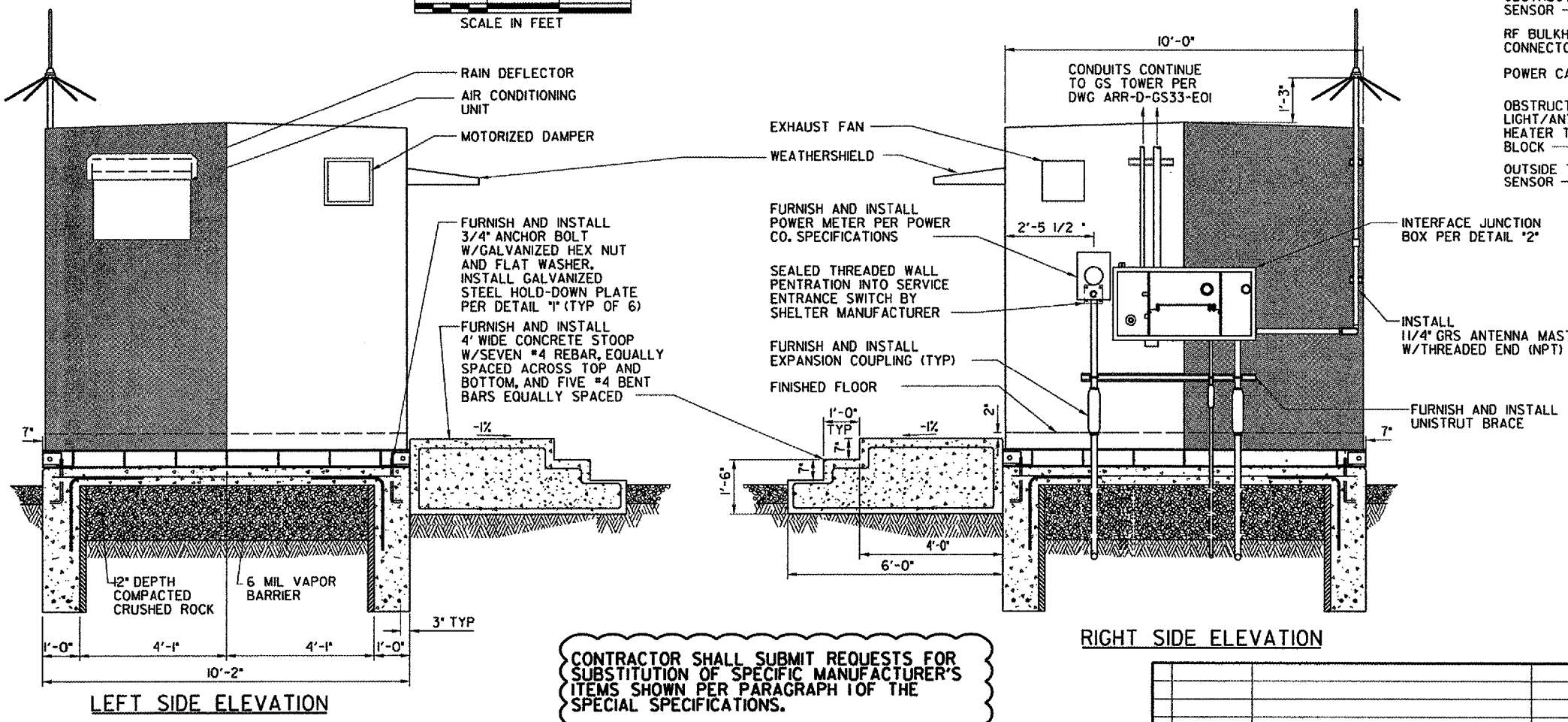
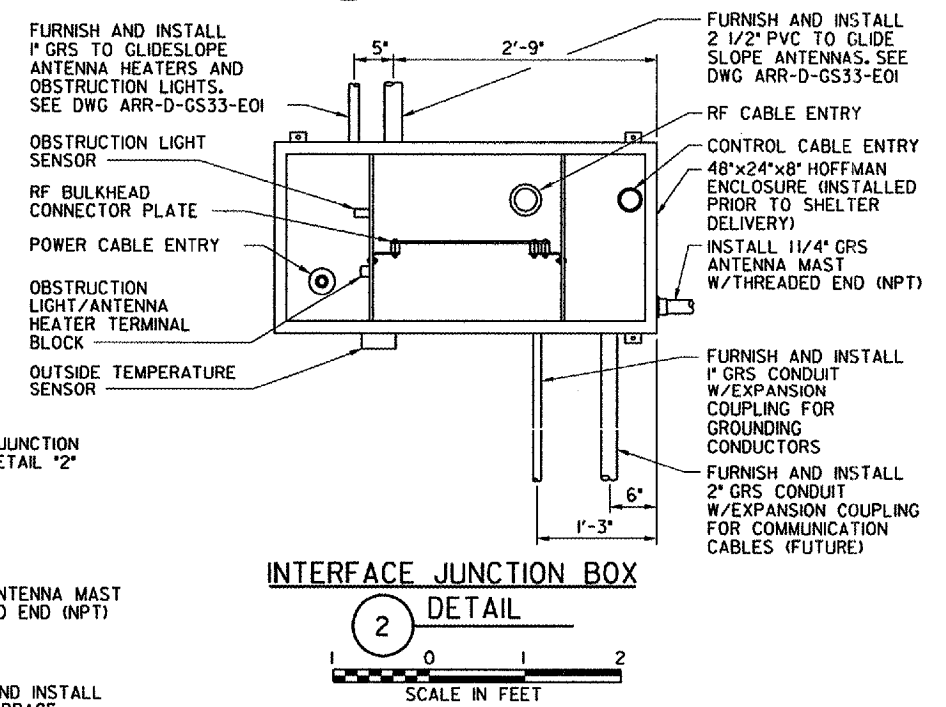
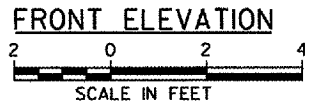
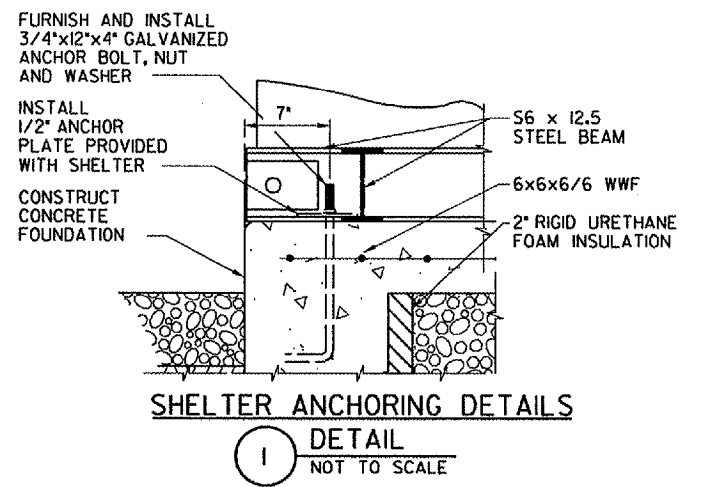


H
G
F
E
D
C
B
A



- NOTES:**
1. PREFABRICATED EQUIPMENT SHELTER WILL BE DELIVERED TO THE AIRPORT PER THE LOCAL FAA SECTOR FIELD OFFICE'S INSTRUCTIONS. CONTRACTOR SHALL CONTACT MR. DAN GEIST AT (815) 509-3200 TO ARRANGE PICK-UP OF THE SHELTER FROM ITS STORAGE LOCATION AND RELOCATION TO THE SITE.
 2. REFER TO PROJECT SPECIAL PROVISIONS FOR EXCAVATION DETAILS.
 3. REFER TO PROJECT SPECIAL PROVISIONS FOR CONCRETE DETAILS.
 4. SHELTER IS DELIVERED TO SITE WITH ELECTRICAL LIGHTS, SWITCHES, RECEPTACLES, AND LOCALIZER EQUIPMENT RACK MOUNTED INSIDE. EXTERIOR ELEMENTS ARE TO BE INSTALLED BY THE CONTRACTOR AND ARE SHIPPED LOOSE INSIDE SHELTER. SEE GOVERNMENT-FURNISHED PROPERTY LIST (GFPL) FOR A COMPLETE LIST OF ITEMS DELIVERED WITH OR INSTALLED IN EQUIPMENT SHELTER.



CONTRACTOR SHALL SUBMIT REQUESTS FOR SUBSTITUTION OF SPECIFIC MANUFACTURER'S ITEMS SHOWN PER PARAGRAPH 1 OF THE SPECIAL SPECIFICATIONS.

DEPARTMENT OF TRANSPORTATION FEDERAL AVIATION ADMINISTRATION GREAT LAKES REGION CHICAGO, ILLINOIS			
GLIDE SLOPE EXTERIOR ELEVATIONS AND FOUNDATION 10' X 12' PRE-FABRICATED EQUIPMENT SHELTER			
AURORA	AURORA MUNICIPAL AIRPORT		IL
REVIEWED BY	SUBMITTED BY	APPROVED BY	
DESIGNED	PROJ ENGR, TIMOTHY DYER	PLATFORM MGR, CLELAND MICHEEL	
DRAWN	TAD	ISSUED BY	DATE 02/27/2006 JCN
CHECKED	TAD	CHICAGO NAS IMPLEMENTATION CENTER	DRAWING NO
	EGS		ARR-D-GS33-A01

K:\aerovop\0428504\view\shelshs1\001a.dwg 3-6-05 ARR-D-GS33-A01.dgn
 3/16/2006 3:48:18 PM BMM3