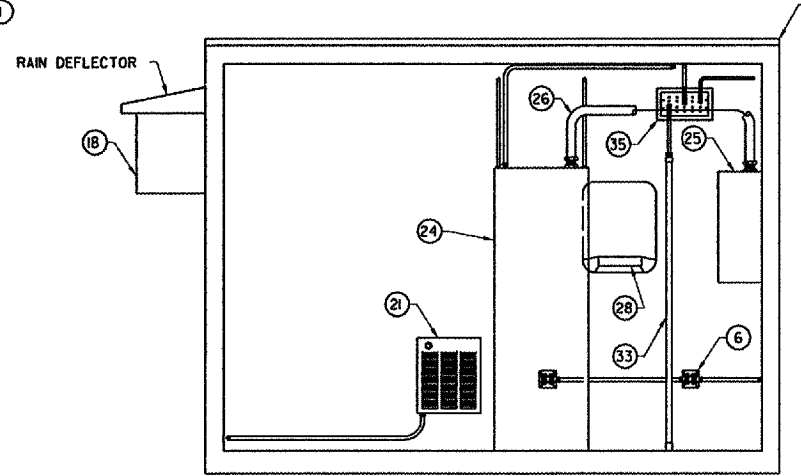
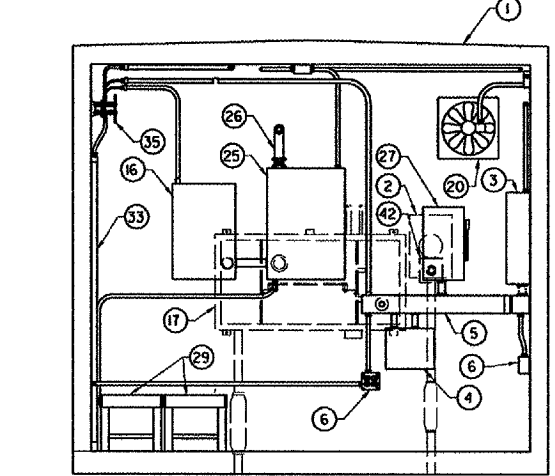


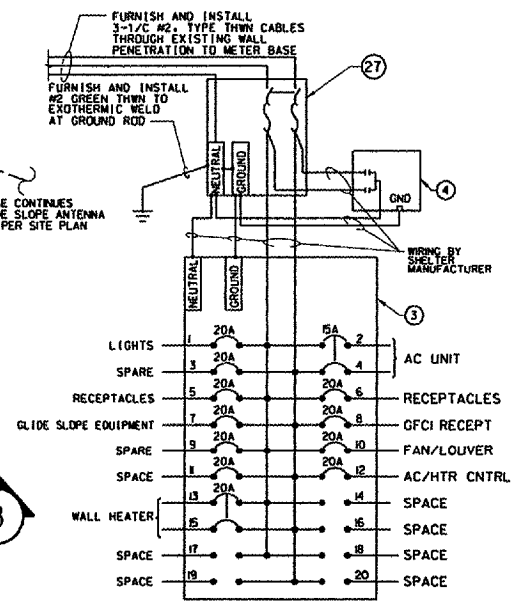
LEFT WALL INTERIOR ELEVATION  
A SECTION



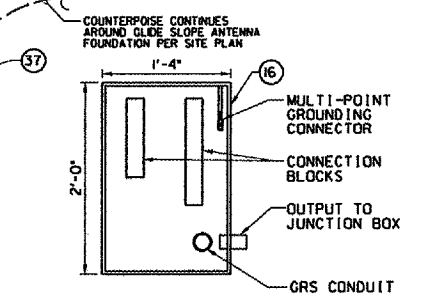
REAR WALL INTERIOR ELEVATION  
B SECTION



RIGHT WALL INTERIOR ELEVATION  
C SECTION



POWER PANEL WIRING  
3 DETAIL NOT TO SCALE

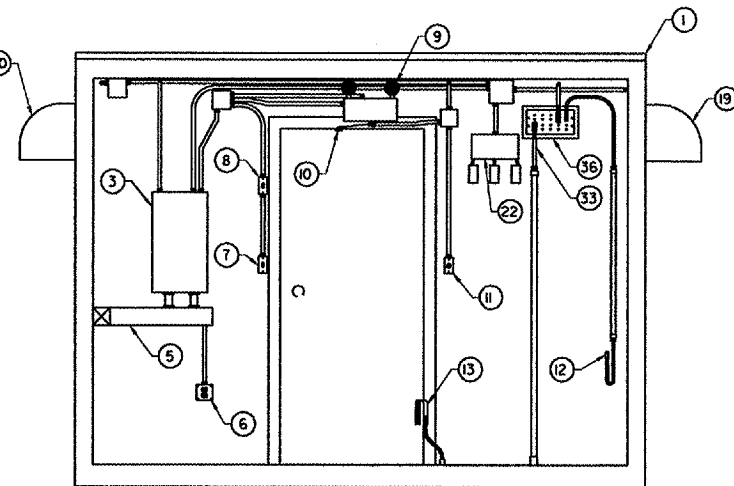


TELECOMMUNICATIONS ENCLOSURE (SHOWN WITH DOOR REMOVED)  
2 DETAIL NOT TO SCALE

DESCRIPTION	C/B	#	LOAD	#	C/B	DESCRIPTION
LIGHTS	20	1	550	1265	2	15
SPARE	20	1	360	1265	4	2
RECEPTACLES	20	1	720	720	6	20
GLIDE SLOPE EQUIPMENT	20	1	360	8	20	8
SPARE	20	1	180	1220	1	AC / HTR CONTROL
SPACE						
WALL HEATER	20	1	1500	14		SPACE
SPACE						
SPACE						
SPACE						
PHASE LOAD			515	3305		
TOTAL LOAD			8420W / 240 V = 35.08 AMPS			

DISTRIBUTION PANEL LOAD SCHEDULE

4 DETAIL NOT TO SCALE



FRONT WALL INTERIOR ELEVATION  
D SECTION

- NUMBERED LEGEND:**
- 1 = CONTRACTOR SHALL INSTALL ITEM. F&I = CONTRACTOR SHALL FURNISH & INSTALL ITEM.
  - BO = SHALL BE INSTALLED BY FAA INSTALLATION PERSONNEL OR IS ALREADY INSTALLED IN PRE-FABRICATED EQUIPMENT SHELTER
  - 1 (1) WOOD FRAME EQUIPMENT SHELTER W/FIBERGLASS EXTERIOR FINISH PER DWG ARR-D-GS33-A01
  - F&I (2) METER BASE FOR USE WITH UNDERGROUND SERVICE PER POWER COMPANY'S SPECIFICATIONS SHALL BE INSTALLED OVER WALL PENETRATION (INSTALLED BY SHELTER MANUFACTURER). INSTALL 3-1/4" #2 TYPE THWN POWER CABLES AND #6 GREEN THWN GROUND CONDUCTOR TO SECONDARY LEADS OF METER BASE AND PRIMARY LEADS OF SERVICE ENTRANCE DISCONNECT SWITCH. INSTALL 3-1/4" #2 TYPE U.S.E. POWER CABLES AND #2 GREEN TYPE U.S.E. GROUND CONDUCTOR IN 2" GALVANIZED RIGID STEEL CONDUIT, 2" BELOW GRADE (MIN FROM TRANSFORMER'S SECONDARY. CONNECTIONS AT TRANSFORMER WILL BE MADE BY COMED REPRESENTATIVES. CONTACT KATIE OLIVA AT (847) 608-2338 WHEN READY.
  - BO (3) 100A BREAKER PANEL, 20 CIRCUITS, W/BOLT ON BREAKERS
  - BO (4) AC SURGE ARRESTOR, 120/240V
  - BO (5) 4" SQUARE DUCT
  - BO (6) ELECTRICAL RECEPTACLE
  - BO (7) INTERIOR LIGHT SWITCH
  - BO (8) EXTERIOR LIGHT SWITCH
  - BO (9) EMERGENCY LIGHT
  - BO (10) INTRUSION SENSOR
  - BO (11) SMOKE DETECTOR RESET SWITCH
  - BO (12) WORKSTATION GROUND
  - BO (13) GROUNDING STRAP
  - BO (14) WALL-MOUNTED EXTERIOR LIGHT WITH PHOTO CONTROL
  - BO (15) 4'-LONG 2-LAMP-TUBE FLUORESCENT LIGHT FIXTURE, 120-VOLT
  - BO (16) TELECOMMUNICATIONS ENCLOSURE PER DETAIL "2"
  - BO (17) POWER, CONTROL AND RF INTERFACE JUNCTION BOX
  - BO (18) A/C THRU-WALL UNIT, 12,000 BTU,
  - BO (19) 12" SQUARE MOTORIZED LOUVER WITH FILTER AND HOOD
  - BO (20) EXHAUST FAN WITH VENT HOOD
  - BO (21) WALL-MOUNTED ELECTRIC HEATER
  - BO (22) ENVIRONMENTAL CONTROL PANEL
  - BO (23) 1" PVC CONDUIT CARRYING 4/0 AWG GREEN THWN W/ORANGE STRIPE FROM MAIN GROUNDING PLATE TO MULTIPOINT GROUNDING PLATE.
  - BO (24) GLIDE SLOPE ELECTRONIC EQUIPMENT RACK
  - BO (25) GLIDE SLOPE DISTRIBUTION AND COMBINING UNIT
  - BO (26) 2" EMT CONDUIT CARRYING SIGNAL CABLES.
  - BO (27) MAIN DISCONNECT, 100A, 240V, W/FUSES
  - BO (28) EYE WASH STATION
  - BO (29) FLOOR-MOUNTED BATTERY BOXES
  - BO (30) WORK BENCH/DESK
  - BO (31) DRAWER STORAGE UNIT
  - BO (32) SMOKE DETECTOR ON CEILING
  - F&I (33) TWO 4/0 AWG THWN GROUNDING CONDUCTORS FROM MAIN AND FROM MULTI-POINT GROUNDING PLATES TO COUNTERPOISE
  - F&I (34) 2/0 AWG GROUNDING CONDUCTOR. GREEN THWN WITH RED STRIPE IN 1" GRS CONDUIT. LEAVE 5' LENGTH OF CONDUCTOR IN POWER, CONTROL AND RF INTERFACE JUNCTION BOX FOR TERMINATION BY FAA INSTALLATION PERSONNEL. SEE NOTE 3.
  - BO (35) MAIN COPPER GROUNDING PLATE WITH PLASTIC COVER
  - BO (36) MULTIPOINT COPPER GROUNDING PLATE WITH PLASTIC COVER
  - F&I (37) 3/4" X 10' COPPERCLAD GROUNDING ROD
  - F&I (38) #6 BARE COPPER GROUNDING AND BONDING CONDUCTOR
  - F&I (39) #4/0 BARE COPPER COUNTERPOISE 2'-6" BELOW GRADE. SEE NOTE 3.
  - F&I (40) 2" GRSC WITH EXPANSION COUPLING FOR COMMUNICATIONS CABLES. TERMINATE CONDUIT 5' BEYOND COUNTERPOISE AND CAP END. MARK LOCATION OF DUCT END WITH CABLE MARKER
  - F&I (41) 1" GRSC FOR GLIDE SLOPE ANTENNA HEATER AND OBSTRUCTION LIGHT POWER CABLES
  - BO (42) BUILDING WALL PENETRATION TO OUTSIDE FROM SERVICE ENTRANCE DISCONNECT SWITCH
  - F&I (43) 2 1/2" PVC CONDUIT FOR GLIDE SLOPE ANTENNA COMMUNICATION CABLES

- NOTES:**
- ELECTRICAL EQUIPMENT SHOWN ON THIS SHEET IS SURFACE MOUNTED BY FAA REPRESENTATIVES PRIOR TO SHIPMENT OF SHELTER UNLESS OTHERWISE NOTED.
  - CONTRACTOR SHALL NOTIFY RESIDENT ENGINEER IF SHELTER IS DAMAGED OR MISSING ITEMS WHEN SHIPMENT ARRIVES.
  - ALL GROUNDING CONDUCTORS AND COUNTERPOISE SHALL BE ATTACHED TO GROUNDING RODS USING EXOTHERMIC WELDS PER SPECIFICATIONS.

SHEET 51 OF 66

DEPARTMENT OF TRANSPORTATION  
FEDERAL AVIATION ADMINISTRATION  
GREAT LAKES REGION CHICAGO, ILLINOIS

GLIDE SLOPE  
FLOOR PLAN AND INTERIOR ELEVATIONS  
10' X 12' PRE-FABRICATED EQUIPMENT SHELTER

AURORA AURORA MUNICIPAL AIRPORT IL

REVIEWED BY	SUBMITTED BY	APPROVED BY
DESIGNED BY	ISSUED BY	DATE
PROJ ENGR, TIMOTHY DYER	CHICAGO NAS IMPLEMENTATION CENTER	02/27/2006
DRAWN	TAD	DRAWING NO
CHECKED	TAD	ARR-D-GS33-A02
EGS		

CONTRACTOR SHALL SUBMIT REQUESTS FOR SUBSTITUTION OF SPECIFIC MANUFACTURER'S ITEMS SHOWN PER PARAGRAPH 1 OF THE SPECIAL SPECIFICATIONS.

REV	DATE	DESCRIPTION	JCN	REDLINE DATE	APVD

I:\aurotop\0428504\Drawings\sheet\1010 3-6-06\ARR-D-GS33-A02.dgn  
 3/16/2006 3:48:22 PM SNADES  
 #8739