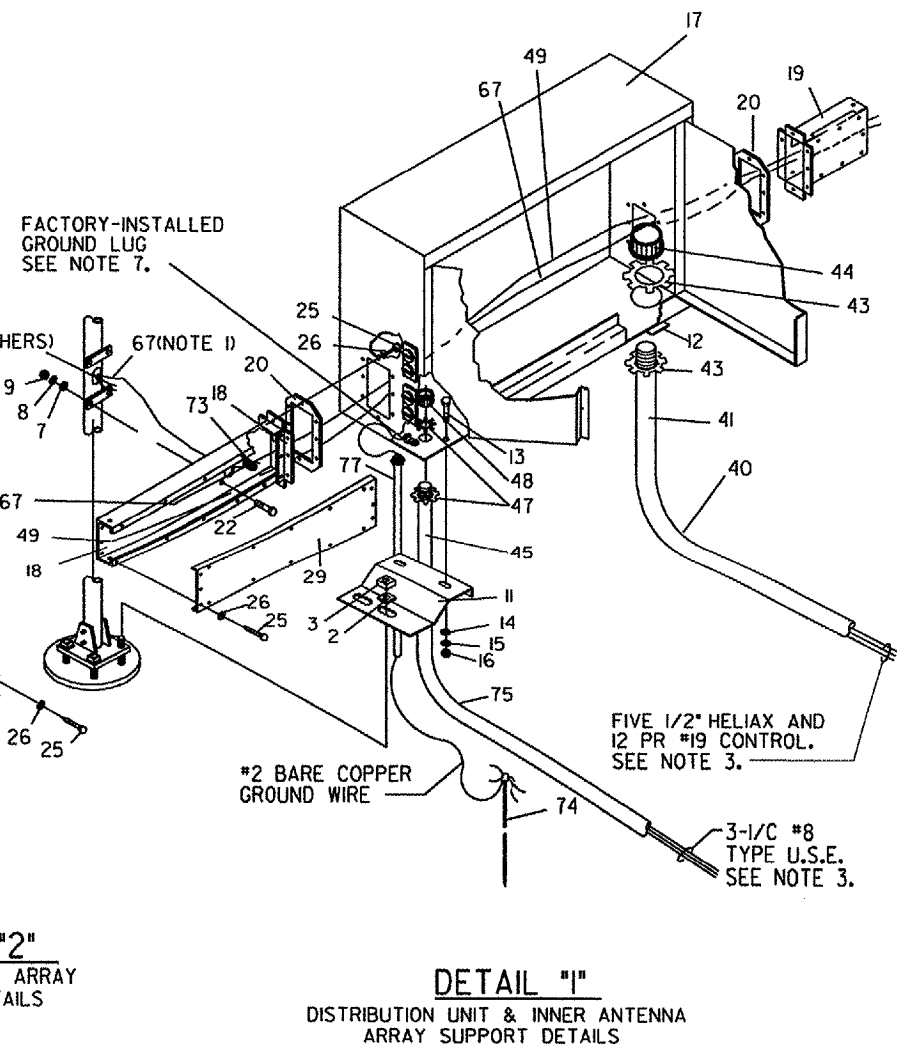
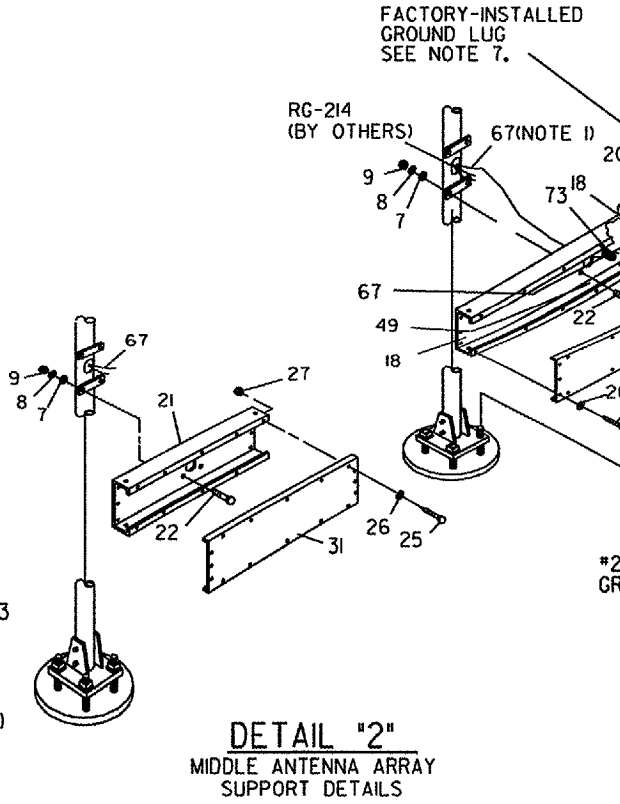
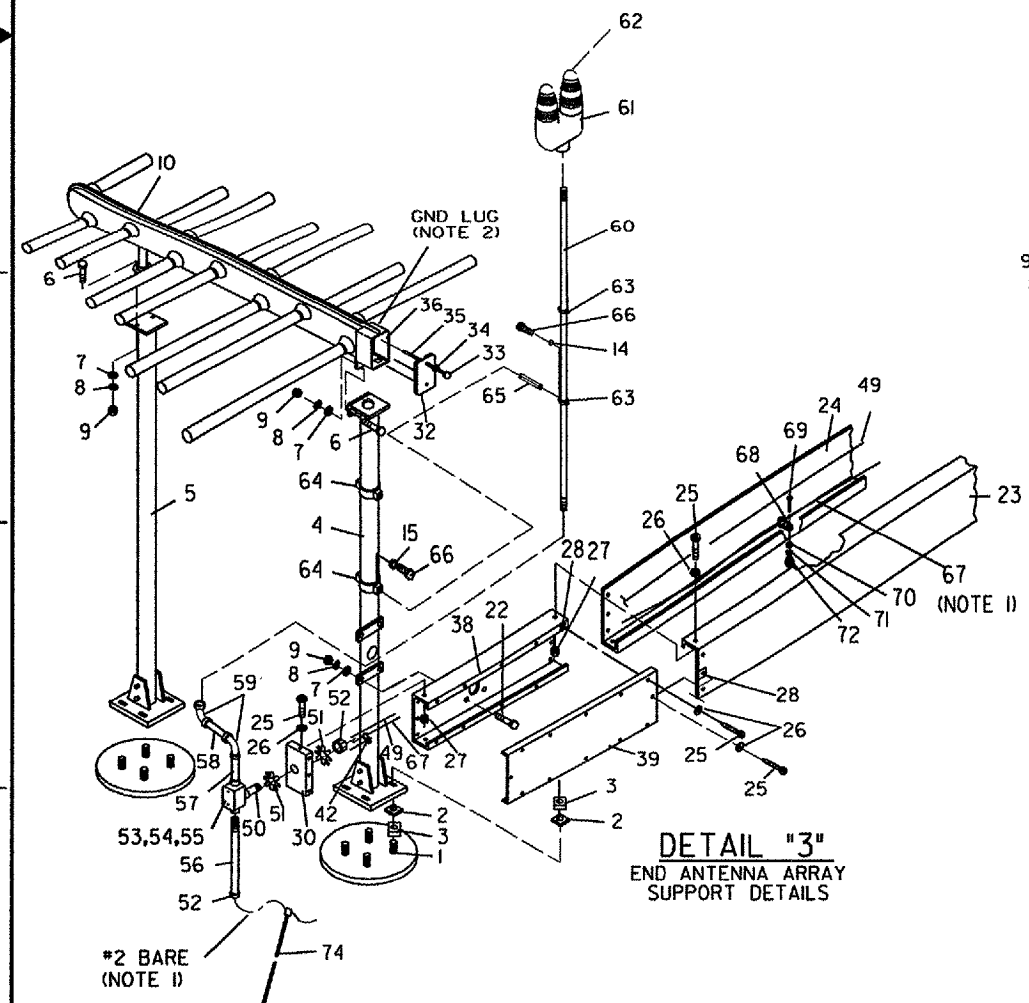
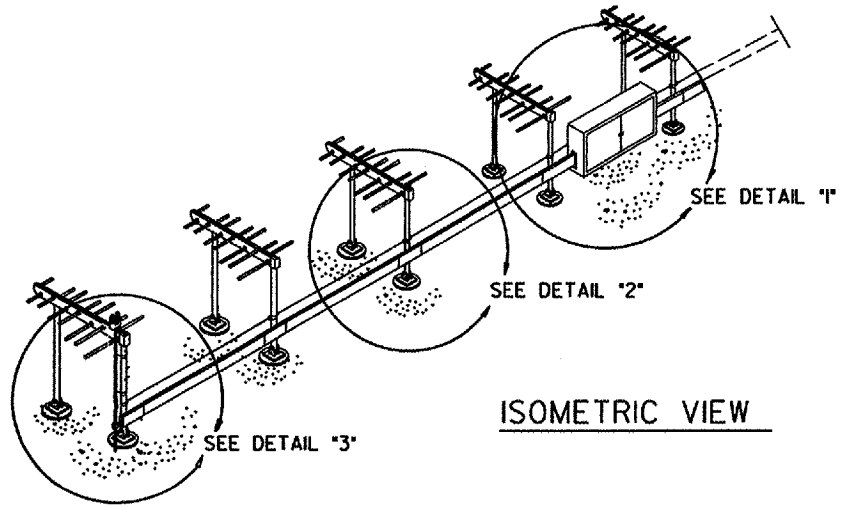
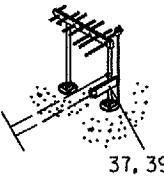


H  
G  
F  
E  
D  
C  
B  
A

- NOTES:** CONSTRUCTION SHALL BE DONE SUCH THAT:
1. CONNECTIONS TO #6 BARE AND #2 BARE COPPER GROUNDING CONDUCTORS ARE MADE WITH SPLIT BOLT CONNECTORS, ITEMS 73 AND 42, RESPECTIVELY, INSIDE CABLE TROUGH.
  2. ITEMS 33, 34, 35, AND 36 ARE FACTORY ASSEMBLED.
  3. REFER TO LOCALIZER SITE PLAN FOR TRENCH ROUTING AND CONDUIT REQUIREMENTS.
  4. CONTRACTOR SHALL FURNISH AND INSTALL ALL REQUIRED CABLES, CONDUIT, AND FITTINGS FROM EQUIPMENT IN LOCALIZER EQUIPMENT SHELTER TO ANTENNA DISTRIBUTION UNIT. LEAVE 3' LENGTHS OF ALL CONDUCTORS IN ENCLOSURES FOR TERMINATION BY OTHERS.
  5. ITEMS ARE TO BE USED AS SPARE HARDWARE FOR THE ANTENNA RADOME ASSEMBLIES.
  6. FOUNDATION SHOWN ON THIS DRAWING IS FOR REFERENCE ONLY. REFER TO FOUNDATION PLAN FOR SITE SPECIFIC FOUNDATION TYPE AND MATERIAL REQUIREMENTS.
  7. CONNECT #2 BARE COPPER TO GROUND LUG AND CONTINUE TO GROUNDING BUSHINGS ON ENTRANCE CONDUITS IN DISTRIBUTION UNIT USING #6 BARE COPPER. CONNECT #2 BARE TO GROUND ROD USING EXOTHERMIC WELD.



CONTRACTOR SHALL SUBMIT REQUESTS FOR SUBSTITUTION OF SPECIFIC MANUFACTURER'S ITEMS SHOWN PER PARAGRAPH 1 OF THE SPECIAL SPECIFICATIONS.

PARTS LIST			
ITEM	QTY	DESCRIPTION	WPN
1	112	BOLT, ANCHOR GALV 5/8"-11 X 12" (SEE NOTE 6)	CONTRACTOR-FURNISHED
2	224	WASHER, FLAT, SO GALV 5/8" (SEE NOTE 6)	CONTRACTOR-FURNISHED
3	224	NUT, SO GALV 5/8"-11 (SEE NOTE 6)	CONTRACTOR-FURNISHED
4	14	SUPPORT ASSY, REAR	119006-0001
5	14	SUPPORT ASSY, FRONT	119007-0001
6	56	BOLT, HEX 5/16"-18 X 1-1/2"	919063-0032
7	112	WASHER, FLAT 5/16"	925001-0008
8	112	WASHER, LOCK 5/16"	926001-0083
9	112	NUT, HEX 5/16"-18	930000-2314
10	14	ELEMENT, ANT.	447837-0100
11	1	BRACKET, MTG DISTR UNIT, RIGHT	093431-0001
12	1	BRACKET, MTG DISTR UNIT, LEFT	093431-0002
13	4	BOLT, HEX 1/4"-20 X 3/4"	919065-0005
14	16	WASHER, FLAT 1/4"	925001-0007
15	12	WASHER, LOCK 1/4"	926001-0082
16	12	NUT, HEX 1/4"-20	930000-2254
17	1	UNIT, DISTR ASSY	120354-0001
18	1	RACEWAY, CABLE ADAPTER (RT)	282220-0001
19	1	RACEWAY, CABLE ADAPTER (LT)	282220-0002
20	2	GASKET, RACEWAY ADAPTER (DU)	265050-0001
21	10	RACEWAY, CABLE WRAPPER (CTR) 26"	282173-0001
22	56	BOLT, HEX 5/16"-18 X 1"	919063-0030
23	12	RACEWAY, CABLE SECT TOP 94" L	282217-0001
24	12	RACEWAY, CABLE SECT BOT 94" L	282218-0001
25	310	SCREW, MACH. #8-32 X 1/2" PHPHMS	915014-0045
26	310	WASHER, FLAT #8	925000-0807
27	130	NUT, SELF-LOCKING #8-32	100482-0008
28	164	NUT, SPEED #8-32	100999-0001
29	2	COVER, ADAPTER RACEWAY (DU)	489113-0001
30	2	CAP, END RACEWAY	281621-0001
31	10	COVER, WRAPPER RACEWAY (CTR)	489043-0001
32	14	CAP, WEATHER SHIELD (NOTE 2)	265048-0001
33	28	BOLT, HEX 1/4"-20 X 4-1/4" (NOTE 2)	919070-0024
34	28	WASHER, FLAT 1/4" (NOTE 2)	925000-0810
35	28	NUT, HEX 1/4"-20 (NOTE 2)	930026-0003
36	14	GASKET, CHAN WEATHERCAP (NOTE 2)	265047-0001
37	1	RACEWAY, CABLE ADAPTER END (LT)	282219-0002
38	1	RACEWAY, CABLE ADAPTER END (RT)	282219-0001
39	2	COVER, ADAPTER RACEWAY END	489114-0001
40	1	EL. SWEEP 4" GRS 90°	CONTRACTOR-FURNISHED
41	1	CND, PVC RIGID 4"	CONTRACTOR-FURNISHED
42	1	CONN, SPLIT BOLT (KS23)	229911-0012
43	1	SEALING LOCKNUT, CND 4"	CONTRACTOR-FURNISHED
44	1	GROUNDING BUSHING, INSULATED 4"	CONTRACTOR-FURNISHED
45	1	CND, GRS 2"	CONTRACTOR-FURNISHED
46	1	KIT, IDENT CBL SLEEVE	069200-0001
47	1	SEALING LOCK NUT, CND 2"	CONTRACTOR-FURNISHED
48	1	GROUNDING BUSHING, INSULATED 2"	CONTRACTOR-FURNISHED
49	200'	CABLE, POWER, #12-2 UF	111456-0002
50	2	NIPPLE, CND 3/4" X 5" L	033586-0006
51	4	NUT, LOCK 3/4"	033514-0000
52	2	BUSHING, INSULATED 3/4"	033516-0000
53	2	UNILET, "T" 3/4"	033588-0001
54	2	COVER, UNILET	033590-0001
55	2	GASKET, COVER	033728-0003
56	2	CND, 3/4" X 30" L	033671-0004
57	2	NIPPLE, CND 3/4" X 3" L	033586-0001
58	2	NIPPLE, CND 3/4" X 10" L	033586-0005
59	2	EL, 48"	033754-0002
60	2	CND, 3/4" X 48" L	033711-0001
61	2	LIGHT, OBS	035707-0001
62	4	BULB, LIGHT	035623-0000
63	4	HANGER, CND 3/4"	033786-0002
64	4	HANGER, CND 2-1/2"	033786-0008
65	4	SPACER, HEX TAPPED, 2-1/2" L	270706-6677
66	8	SCREW, MACH. 1/4"-20 X 1/2"	915016-0079
67	250'	WIRE, #6 BARE	110041-0001
68	12	LUG, GND SOLDERLESS	025478-0001
69	12	SCREW, MACH. #10-32 X 1/2"	916012-0272
70	12	WASHER, FLAT #10	925000-0808
71	12	WASHER, LOCK #10	926001-0081
72	12	NUT, HEX #10-32	930001-0304
73	16	CONN, SPLIT BOLT (KS17)	229911-0004
74	3	CND ROD 3/4" X 10' COPPERCLAD	CONTRACTOR-FURNISHED
75	1	EL. SWEEP 2" GRS 90°	CONTRACTOR-FURNISHED
76	1	CABLE, RF 1/4" HELIAX 1700' L	111588-1700
77	70	COND, 3/4" GRS	230161-0001
78	24	BOLT, HEX NYLON 1/4"-20 X 1" L (SEE NOTE 5)	502644-0053
79	24	NUT, HEX NYLON 1/4"-20 (SEE NOTE 5)	300658-0007

DEPARTMENT OF TRANSPORTATION  
FEDERAL AVIATION ADMINISTRATION  
GREAT LAKES REGION CHICAGO, ILLINOIS

INSTRUMENT LANDING SYSTEM  
CAPTURE EFFECT LOCALIZER ANTENNA ARRAY  
INSTALLATION DETAILS  
TYPE NO. FA-10582

SHEET 55 OF 66

DESIGNED	TAD	ISSUED BY	PLATFORM MGR. CLELAND MICHEEL
DRAWN	TAD	CHICAGO NAS	DATE 02/21/2006 JCN
CHECKED	EGS	IMPLEMENTATION CENTER	DRAWING NO
REV	DATE	DESCRIPTION	APPR

I:\aurotop\0428804\Aurora\sheet\loc 3-06-06\ARR-D-LOC33-SOI.dwg  
 3/16/2006 3:48:49 PM RWMEZ  
 00750