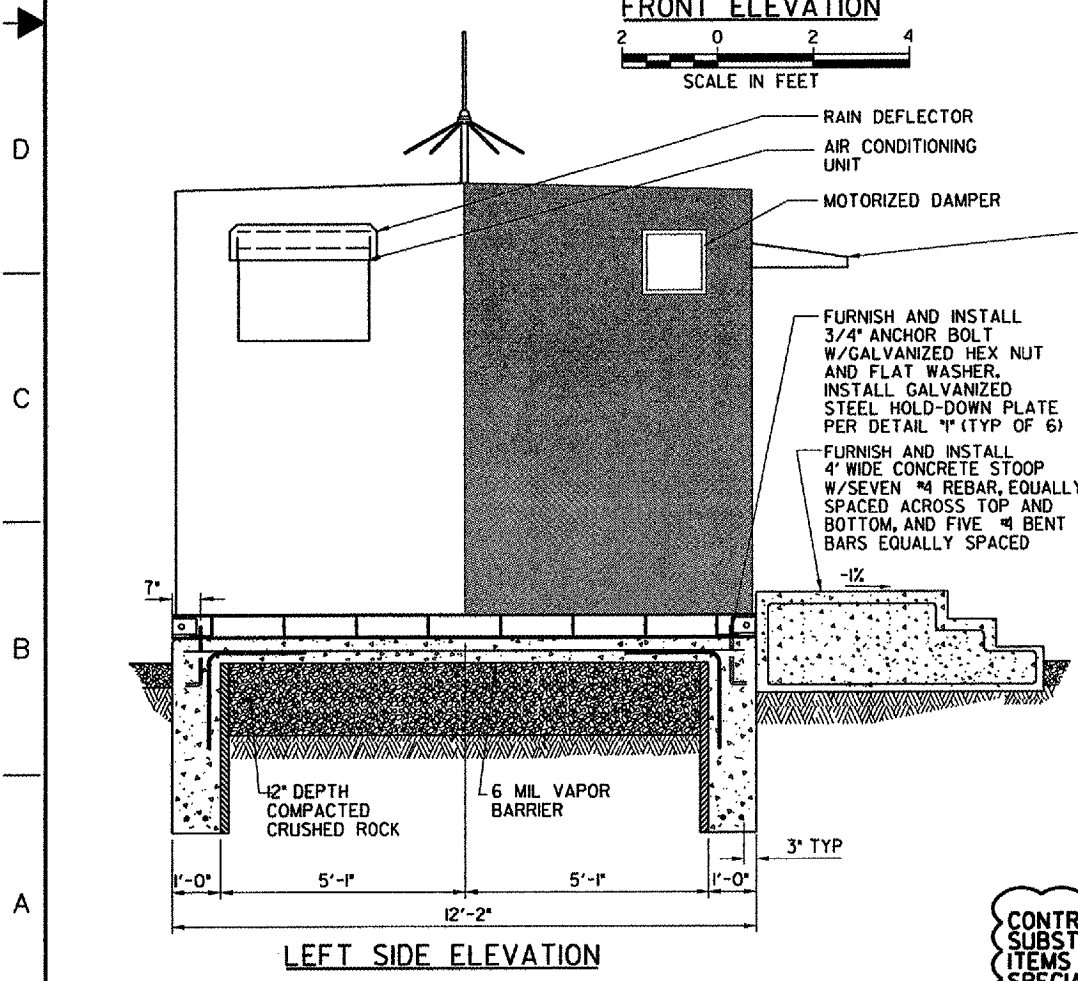
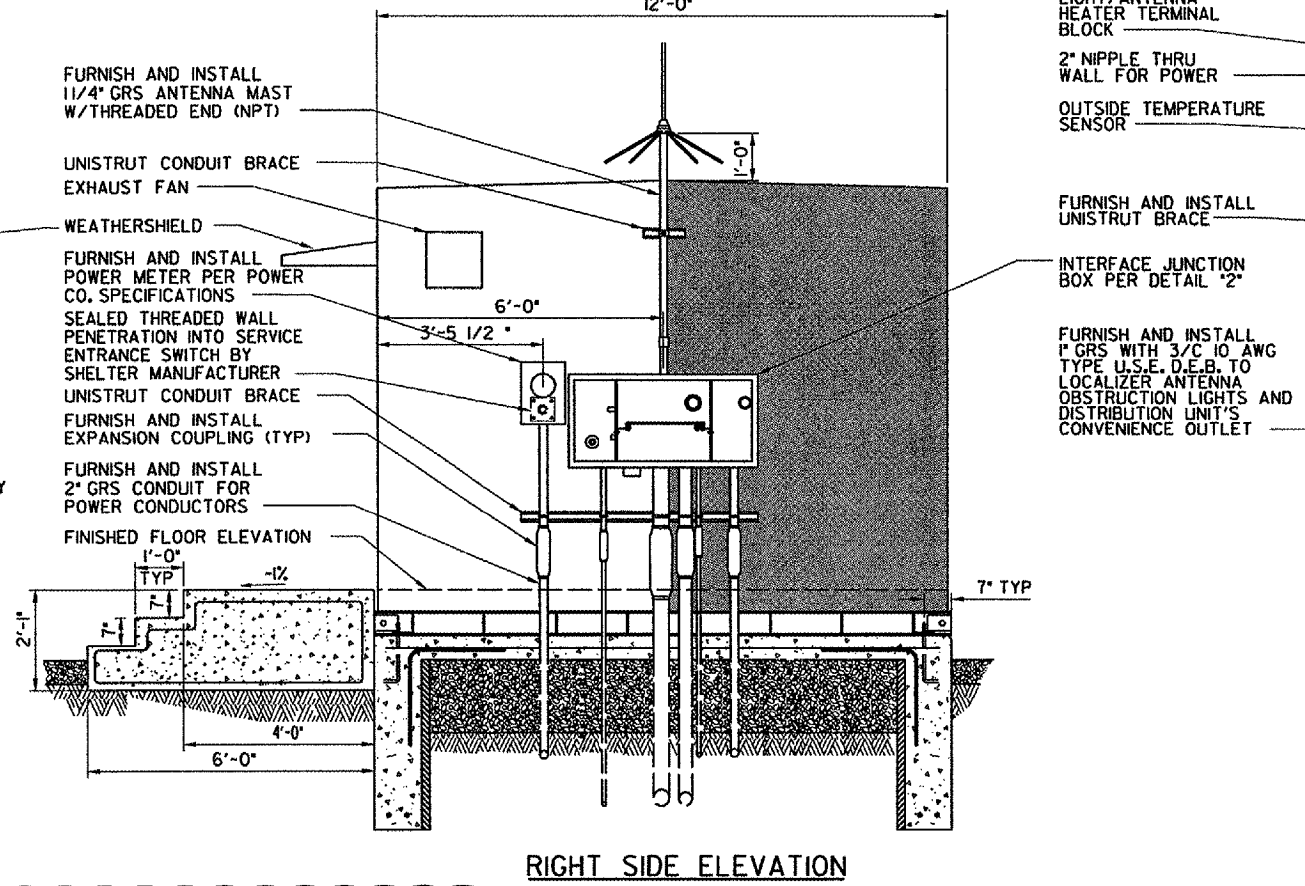


FRONT ELEVATION
SCALE IN FEET

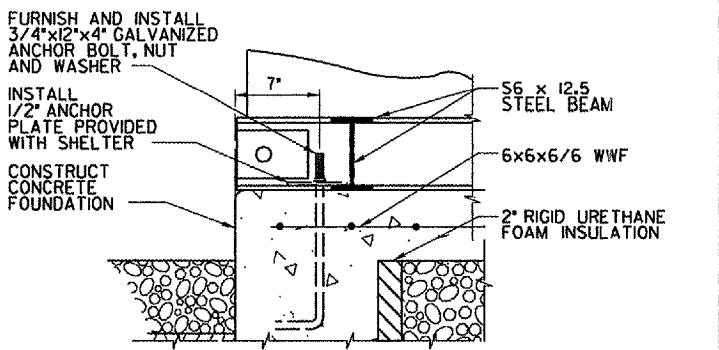


LEFT SIDE ELEVATION

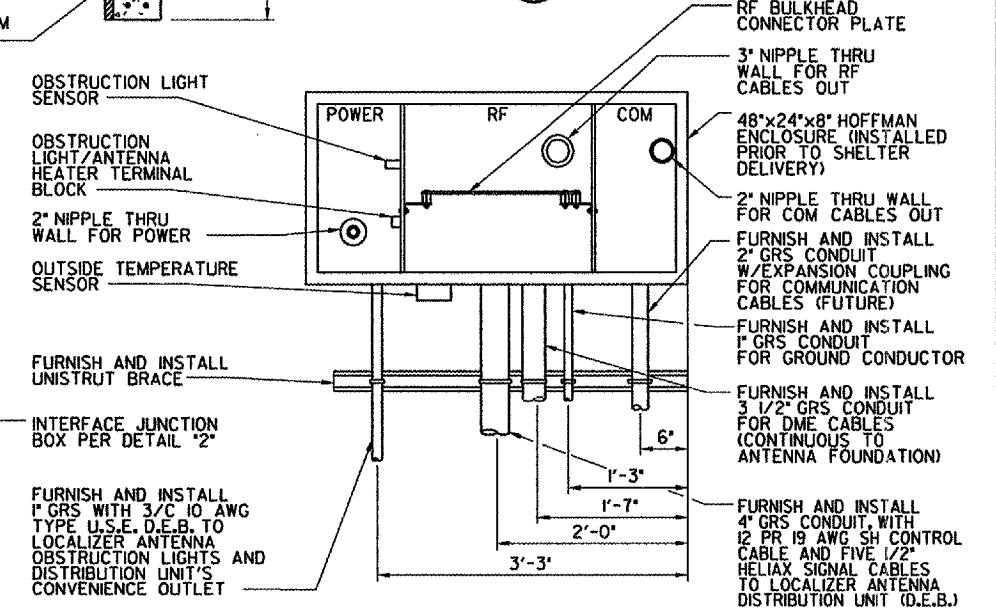


RIGHT SIDE ELEVATION

- NOTES:**
1. PREFABRICATED EQUIPMENT SHELTER WILL BE DELIVERED TO THE AIRPORT PER THE LOCAL FAA SECTOR FIELD OFFICE'S INSTRUCTIONS. CONTRACTOR SHALL CONTACT MR. DAN GEIST AT (815) 509-3200 TO ARRANGE PICK-UP OF THE SHELTER FROM ITS STORAGE LOCATION AND RELOCATION TO THE SITE.
 2. REFER TO PROJECT SPECIAL PROVISIONS FOR EXCAVATION DETAILS.
 3. REFER TO PROJECT SPECIAL PROVISIONS FOR CONCRETE DETAILS.
 4. SHELTER IS DELIVERED TO SITE WITH ELECTRICAL LIGHTS, SWITCHES, RECEPTACLES, AND LOCALIZER EQUIPMENT RACK MOUNTED INSIDE. EXTERIOR ELEMENTS ARE TO BE INSTALLED BY THE CONTRACTOR ARE SHIPPED LOOSE INSIDE SHELTER. SEE GOVERNMENT-FURNISHED PROPERTY LIST (GFPL) FOR A COMPLETE LIST OF ITEMS DELIVERED WITH OR INSTALLED IN EQUIPMENT SHELTER.



SHELTER ANCHORING DETAILS
DETAIL 1
NOT TO SCALE



INTERFACE JUNCTION BOX
DETAIL 2
SCALE IN FEET

CONTRACTOR SHALL SUBMIT REQUESTS FOR SUBSTITUTION OF SPECIFIC MANUFACTURER'S ITEMS SHOWN PER PARAGRAPH 1 OF THE SPECIAL SPECIFICATIONS.

REV	DATE	DESCRIPTION	JCN	REDLINE DATE	APVD

SHEET 56 OF 66

DEPARTMENT OF TRANSPORTATION
FEDERAL AVIATION ADMINISTRATION
GREAT LAKES REGION CHICAGO, ILLINOIS

LOCALIZER
EXTERIOR ELEVATIONS AND FOUNDATION
12' X 16' PRE-FABRICATED EQUIPMENT SHELTER

AURORA		AURORA MUNICIPAL AIRPORT		IL
DESIGNED	PROJ ENGR, TIMOTHY DYER	ISSUED BY	DATE	PLATFORM MGR, CLELAND MICHEEL
DRAWN	TAD	CHICAGO NAS IMPLEMENTATION CENTER	02/21/2006	JCN
CHECKED	EGS		DRAWING NO	REV
			ARR-D-LOC33-A01	

I:\aerosp\0428504\Aurora\shelter\loc 16.dwg 3-6-06 ARR-D-LOC33-A01.dwg
 3/16/2006 3:48:10 PM NAME3
 48728