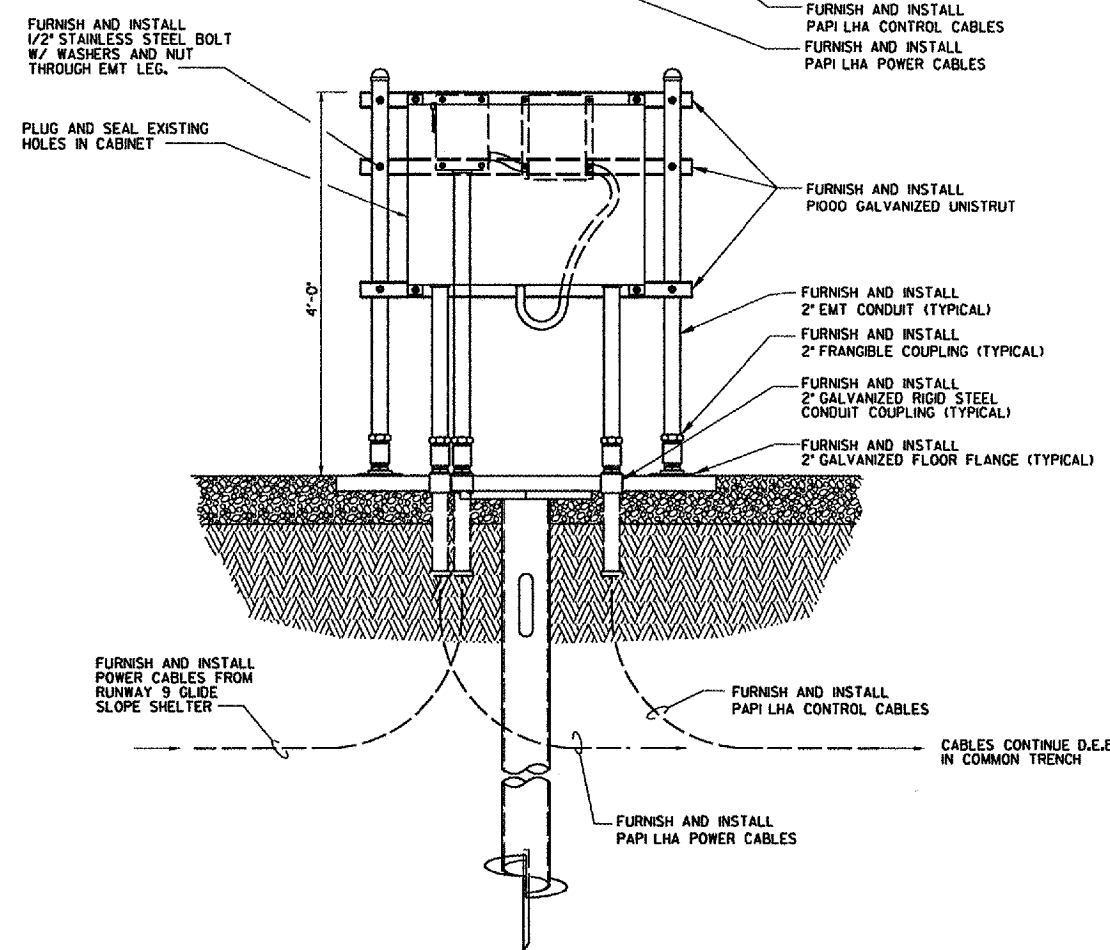
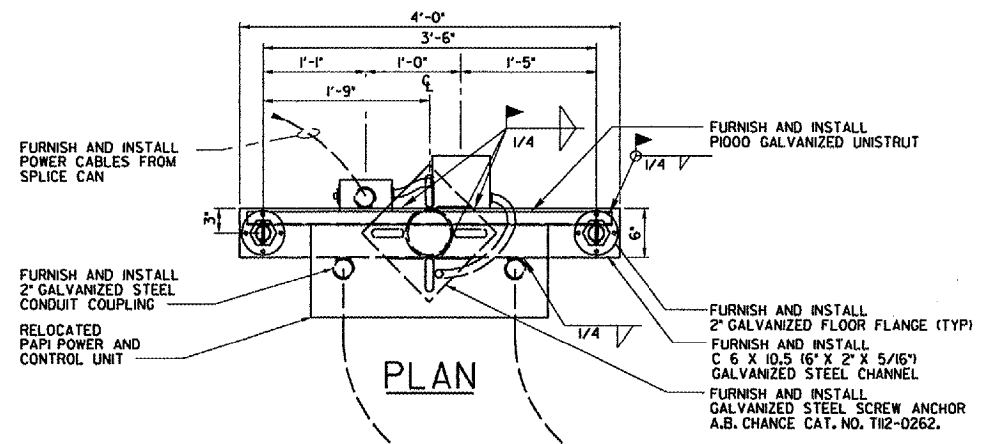
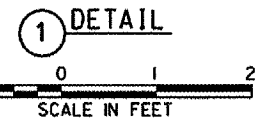


H  
G  
F  
E  
D  
C  
B  
A



**PLAN**  
**PAPI POWER AND CONTROL RACK DETAILS**



CONTRACTOR SHALL SUBMIT REQUESTS FOR SUBSTITUTION OF SPECIFIC MANUFACTURER'S ITEMS SHOWN PER PARAGRAPH 1 OF THE SPECIAL SPECIFICATIONS.

DEPARTMENT OF TRANSPORTATION  
FEDERAL AVIATION ADMINISTRATION  
GREAT LAKES REGION CHICAGO, ILLINOIS

PAPI  
EQUIPMENT RACK DETAILS  
RUNWAY 33

AURORA AURORA MUNICIPAL AIRPORT IL

DESIGNED	TAD	ISSUED BY	CHICAGO NAS IMPLEMENTATION CENTER	DATE	02/21/2006	JCN	
DRAWN	TAD	CHECKED	EGS	DRAWING NO	ARR-D-PAPI33-S02	REV	
PLATFORM MGR.	CLELAND MICHEAL						

REV	DATE	DESCRIPTION	JCN	REDLINE DATE	APV

K:\auro\000\1428504\Aurora\plans\001s.dwg 3-6-06\ARR-D-PAPI33-S02.dwg  
 3/16/2006 3:49:41 PM SNAKE  
 48728