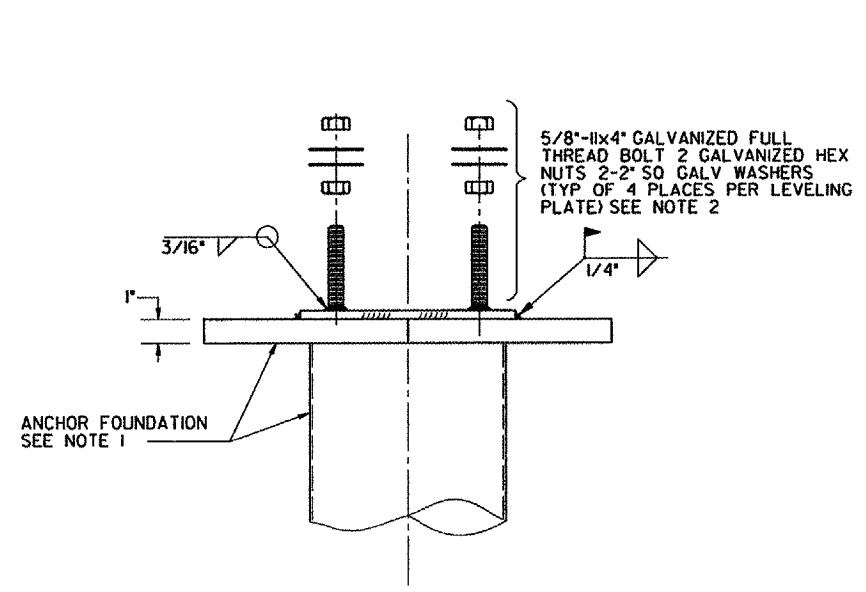
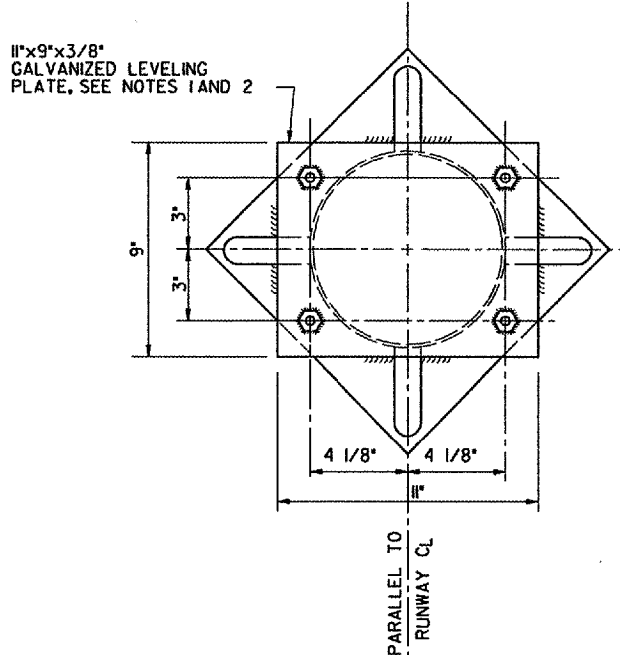


LOCALIZER ANCHOR FOUNDATION LAYOUT PLAN
SCALE: NONE

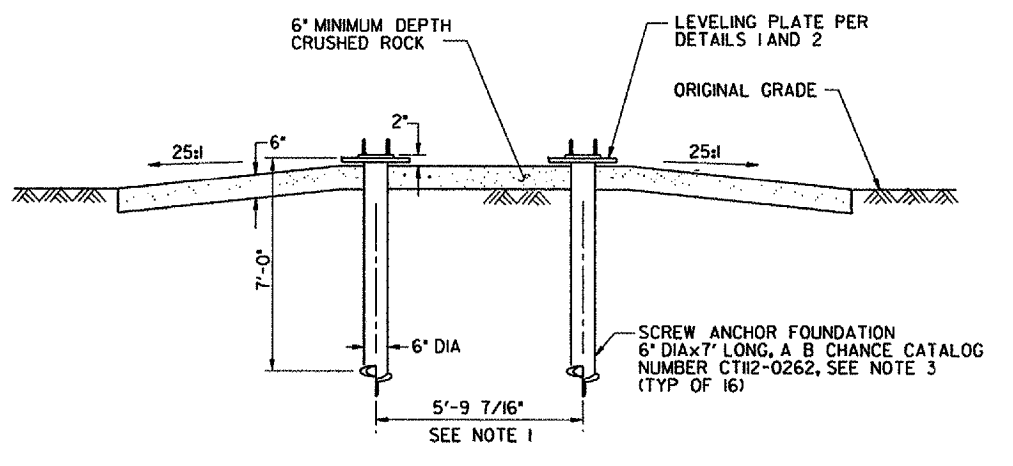
- NOTES:**
1. SCREW ANCHOR FOUNDATIONS SHALL BE LOCATED WITHIN ~2" OF DIMENSIONS SHOWN. LEVELING PLATE SHALL BE WELDED TO EACH FOUNDATION TOP AFTER PLATE CENTER IS LOCATED WITHIN ~1/8" OF DIMENSIONS SHOWN.
 2. ALL SCREW ANCHOR FOUNDATION TOPS SHALL BE INSTALLED TO THE SAME ELEVATION WITHIN 1/8" MAXIMUM TOTAL VARIATION.
 3. LONGITUDINAL CENTERLINE OF ANTENNA ARRAY SHALL BE PERPENDICULAR TO RUNWAY CENTER-LINE WITHIN ~0.05 DEGREES. CENTER OF ANTENNA ARRAY SHALL BE ON RUNWAY CENTERLINE EXTENDED WITHIN ~3".
 4. 15' COILS OF ALL SIGNAL AND CONTROL CABLES SHALL BE LEFT AT THE DISTRIBUTION UNIT FOR TERMINATION BY FAA INSTALLATION PERSONNEL.
 5. ALL BURIED CABLE CONNECTIONS SHALL BE MADE USING EXOTHERMIC WELDS PER SPECIFICATION FAA-GL-918C.
 6. TERMINATE POWER CONDUCTORS INSIDE DISTRIBUTION UNIT FOR OBSTRUCTION LIGHTING AND CONVENIENCE OUTLET.



1 **DETAIL - LEVELING BOLT**
SCALE: NONE



2 **DETAIL**
SCALE: NONE
(TYP OF 16)



A **SECTION**
SCALE: NONE

CONTRACTOR SHALL SUBMIT REQUESTS FOR SUBSTITUTION OF SPECIFIC MANUFACTURER'S ITEMS SHOWN PER PARAGRAPH 1 OF THE SPECIAL SPECIFICATIONS.

REV	DATE	DESCRIPTION	JCN	REDLINE DATE	APVD

SHEET 64 OF 66

**DEPARTMENT OF TRANSPORTATION
FEDERAL AVIATION ADMINISTRATION
GREAT LAKES REGION CHICAGO, ILLINOIS**

**LOCALIZER
MK-1F ANTENNA ARRAY FOUNDATION
RUNWAY 09**

AURORA		AURORA MUNICIPAL AIRPORT		IL
REVIEWED BY	SUBMITTED BY	APPROVED BY		
PROJ ENGR, TIMOTHY DYER	ISSUED BY	PLATFORM MGR, CLELAND MICHEEL		
DESIGNED TD	DATE 02/21/2006	JCN		
DRAWN TD	IMPLEMENTATION	DRAWING NO		
CHECKED TS	CENTER	ARR-D-LOC09-C03		REV

K:\aerompa\0428504\Aeron\sheet\loc in drawings 3-6-06\ARR-0-LOC09-003.dgn
 3/16/2006 3:48:37 PM RUMMES
 #8725