



815 Commerce Drive Suite 200  
Oak Brook, Illinois 60523  
Telephone: 630.990.3800  
Fax: 630.990.3801



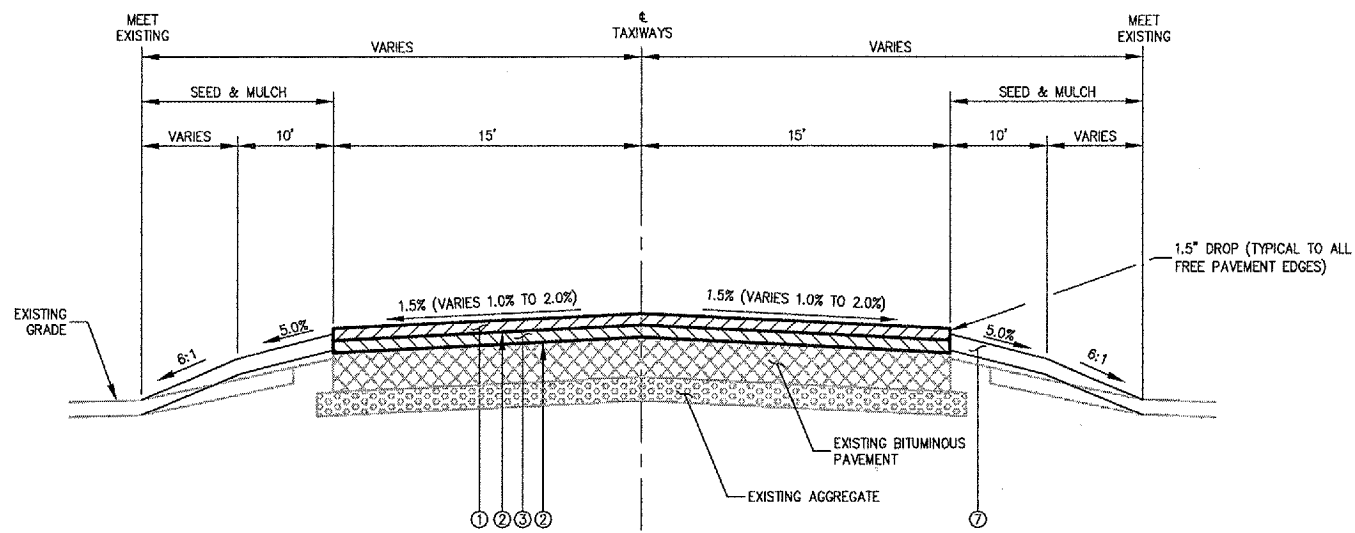
CITY OF DIXON, ILLINOIS

Post Office Box 386  
Dixon, Illinois 61021  
Telephone: 815.288.1485

DIXON MUNICIPAL AIRPORT  
CHARLES R. WALGREEN FIELD

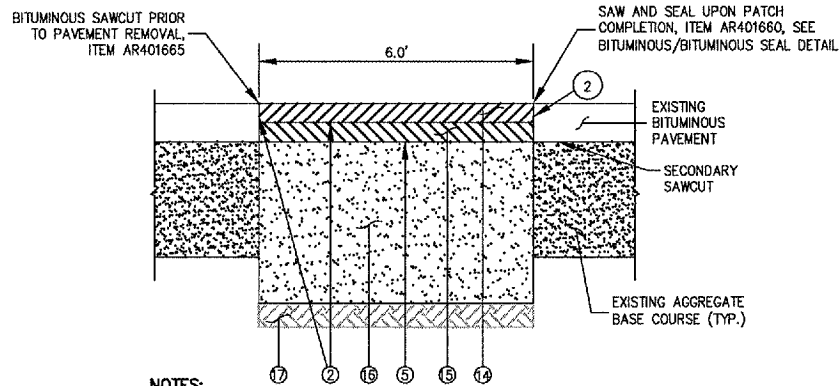
OVERLAY TAXIWAYS A, A1, A2 AND C;  
REMOVE AND REPLACE TAXIWAY C1

AIP PROJECT NO. 3-17-0036-B9  
IDA PROJECT NO. C73-3549



**NOTE:**  
FOR ADDITIONAL LANDSCAPING  
INFORMATION, SEE LANDSCAPING PLAN.

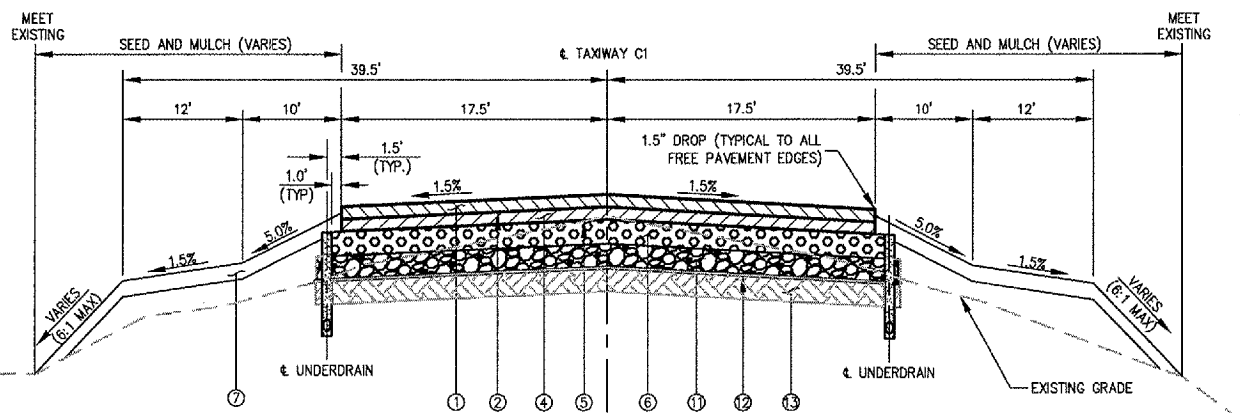
**TYPICAL SECTION -  
TAXIWAYS A, A1, A2 AND C**



**NOTES:**

1. ALL WORK RELATED TO THE PAVEMENT REMOVAL AND REPLACEMENT IS INCLUDED IN ITEM AR401910 EXCEPT FOR PAVEMENT SAWING.
2. INITIAL BITUMINOUS PAVEMENT SAWING TO BE PAID AS ITEM AR401665.
3. WIDTH OF PATCH SHALL BE REDUCED BASED ON REQUIRED WIDTH OF PATCH. WIDTH NOT TO EXCEED THAT SHOWN ON THE DETAIL.

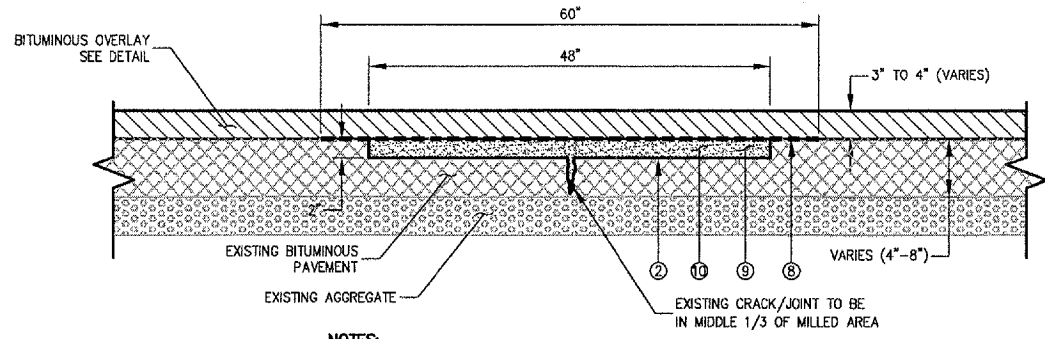
**BITUMINOUS PAVEMENT REMOVAL AND REPLACEMENT  
(ITEM AR401910)**



**NOTES:**

1. ALL TOPSOIL TO BE REMOVED WITHIN 5' OF PROPOSED PAVEMENT AREAS AND UNDER FUTURE TAXIWAY PAVEMENTS (QUANTITY INCLUDED IN ITEM AR152410). NO TOPSOIL OR UNSUITABLE TO BE PLACED UNDER THE PAVEMENT SECTION WITHIN 5' OF PAVEMENT EDGES.
2. FOR ADDITIONAL LANDSCAPING INFORMATION, SEE LANDSCAPING PLAN.

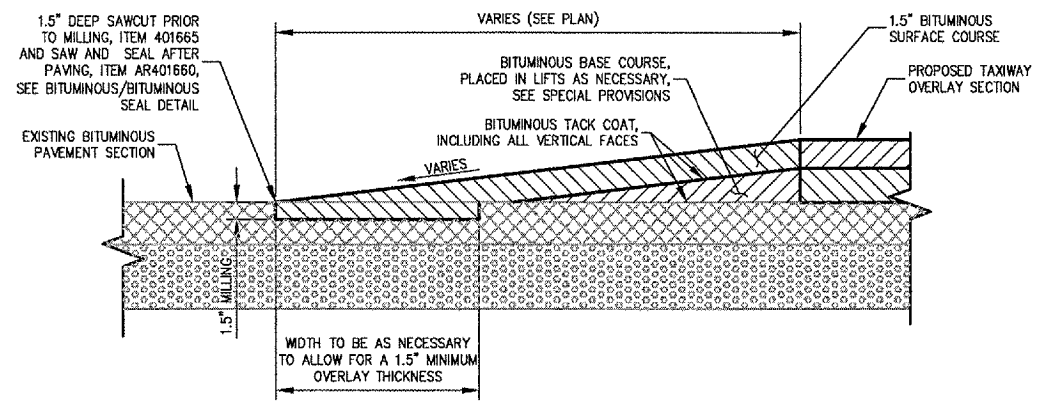
**TYPICAL SECTION - TAXIWAY C1**



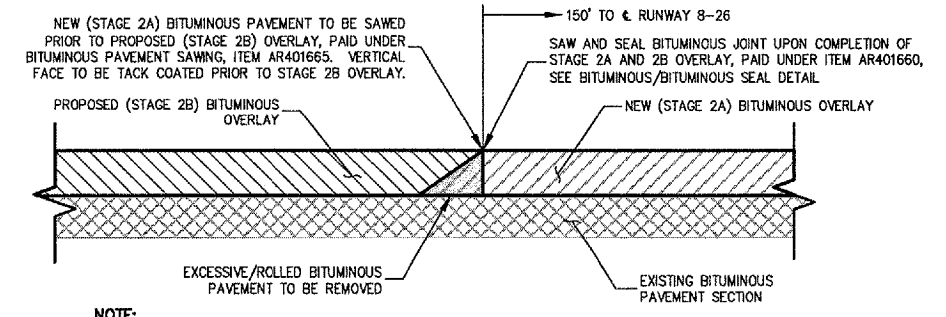
**NOTES:**

1. TACK COAT ALL VERTICAL FACES.
2. MILLING AND BITUMINOUS SAND MIX QUANTITIES BASED ON 52" WIDTH.

**TYPICAL SECTION - PARTIAL DEPTH BITUMINOUS CRACK  
REPAIR AND PATCH**



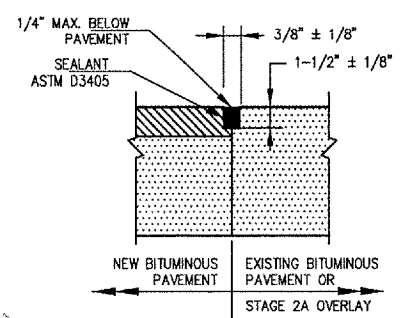
**BITUMINOUS TAPER DETAIL**



**NOTE:**

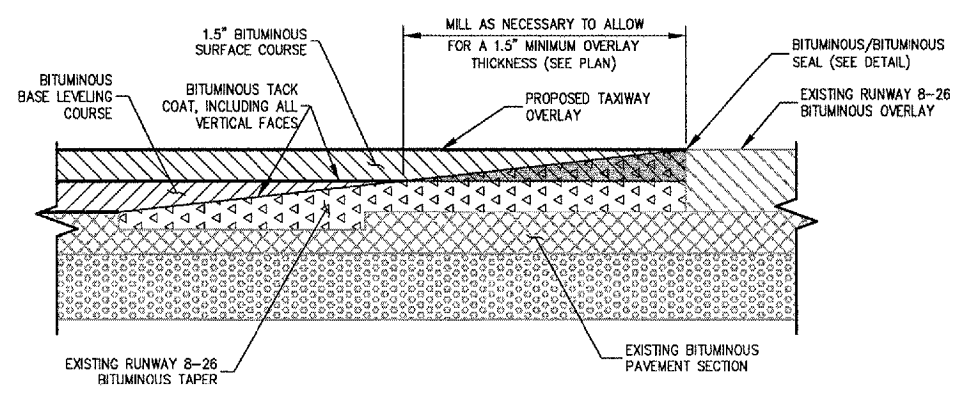
TYPICAL 4 LOCATIONS (TAXIWAY A ENTRANCE, A1, A2 AND C)

**TEMPORARY BITUMINOUS TAPER DETAIL**



**NOTE:**  
ALL JOINT SEALING TO BE PAID UNDER SAW AND SEAL BITUMINOUS JOINTS, ITEM AR401660.

**BITUMINOUS/BITUMINOUS SEAL**



**BITUMINOUS MILLING DETAIL  
(WHEN MEETING RUNWAY 8-26 OVERLAY)**

**DETAILS SHOWN ARE NOT TO SCALE**

No.	Drawing Issue Description	Date	By

Date  
MARCH 3, 2006  
Sheet Title

**TYPICAL SECTIONS AND  
PAVEMENT DETAILS**

843-05B8009  
Project Number  
LDH 11/29/05  
Layout By Date  
LDH, KLK 11/29/05  
Designed By Date  
RMH 02/03/06  
Reviewed By Date  
LDH  
Drawn By  
Sheet No.

I:\05-0851\008-1\0508009\DRAWINGS\SHEETS\08-TYPICAL SECTIONS.DWG MAR 16, 2006 10:09AM KLK