

BY	
REVISION	
DATE	

MT. VERNON AIRPORT  
  
 MT. VERNON, ILLINOIS  
 I.L. PROJ.: MW-3539 A.I.P. PROJ.: 3-17-0074-B12

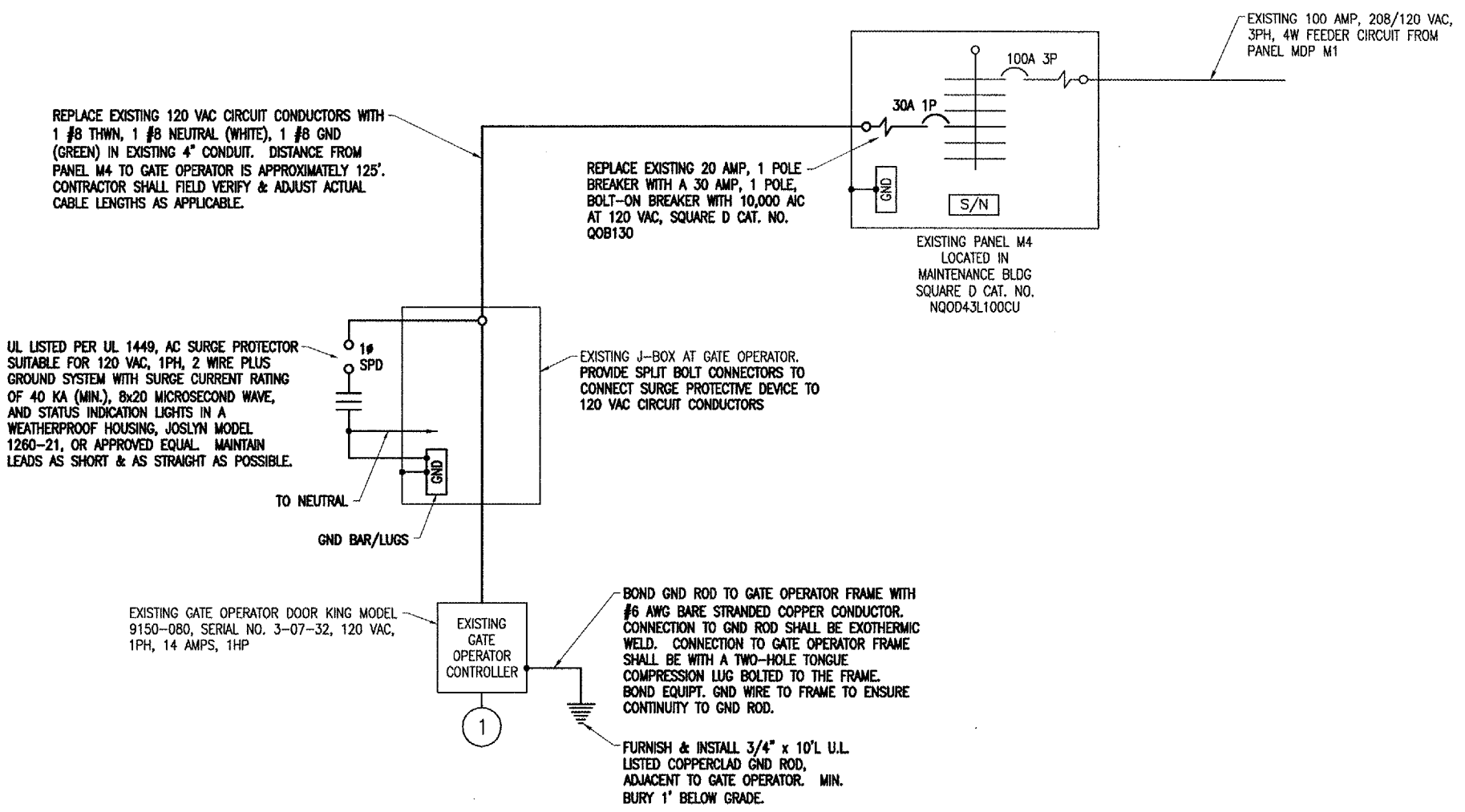
Project No.	819-06RMYD
Revision	E-609.DWG
Scale	NONE
Date	12/16/05
LAYOUT	KNL 12/02/05
DRAWN	MV 12/02/05
REVIEWED	CAH 12/14/05

**HANSON**  
 Hanson Professional Services Inc.  
 1525 South Sixth Street  
 Springfield, Illinois 62703-2886  
 Offices Nationwide

RUNWAY 15-33  
 P.F.C. OVERLAY  
 GATE NO. 7  
 ELECTRICAL ONE LINE

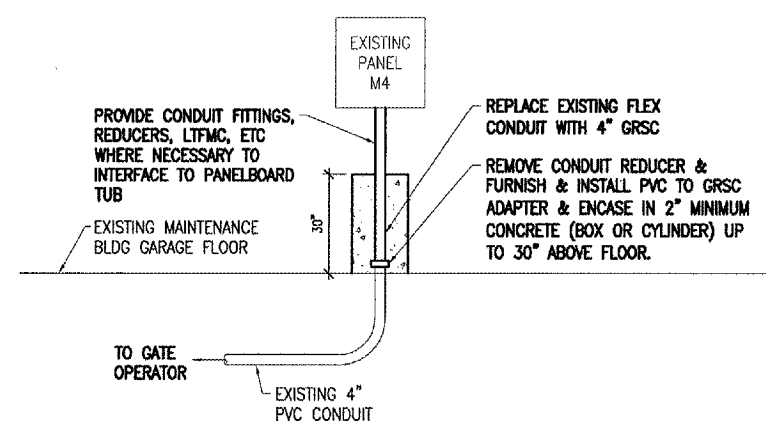
**ELECTRICAL NOTES**

1. ALL ELECTRICAL EQUIPMENT SHALL BE INSTALLED IN CONFORMANCE WITH NFPA 70 (MOST CURRENT ISSUE IN FORCE), THE RESPECTIVE EQUIPMENT MANUFACTURER'S DIRECTIONS AND ALL OTHER APPLICABLE LOCAL CODES, LAWS, ORDINANCES, AND REQUIREMENTS IN FORCE. ANY INSTALLATIONS WHICH VOID THE U.L. LISTING, ETL LISTING (OR OTHER THIRD PARTY LISTING) AND/OR THE MANUFACTURER'S WARRANTY OF A DEVICE SHALL NOT BE PERMITTED.
2. CONTRACTOR SHALL COORDINATE NEW WORK AND ANY POWER OUTAGES TO EXISTING EQUIPMENT WITH THE RESPECTIVE USER PERSONNEL & THE AIRPORT MANAGER.
3. ALL EQUIPMENT NOT LABELED AS EXISTING IS NEW.
4. PROVIDE A WEATHERPROOF ENGRAVED PHENOLIC OR PLASTIC LEGEND PLATE FOR THE SAFETY SWITCH AT THE RESPECTIVE GATE OPERATOR LABELED "GATE NO. 7, 120 VAC, FED FROM PANEL M4".
5. FURNISH AND INSTALL A LOW VOLTAGE LINE PROTECTOR FOR THE EXISTING CARD READER UNIT. LOW VOLTAGE LINE PROTECTOR SHALL BE SUITABLE FOR USE ON THE RESPECTIVE CONTROL VOLTAGE SYSTEM USED IN THE CARD READER UNIT, AC OR DC PROTECTION MODES (AS APPLICABLE) ON ALL LINES WITH A SURGE CURRENT RATING OF 2000 AMPS (MINIMUM). LOW VOLTAGE LINE PROTECTOR FOR 12 VDC, 24 VDC, OR 24 VAC APPLICATIONS SHALL BE DITEK CORPORATION, MODEL DTK-4LVLP-CR, OR APPROVED EQUAL. LOCATE INSIDE GATE OPERATOR HOUSING.
6. FURNISH AND INSTALL A #12 AWG EQUIPMENT GROUND WIRE FROM THE GATE OPERATOR TO THE CARD READER UNIT IN THE EXISTING CONTROL WIRING CONDUIT.
7. CONTRACTOR SHALL FIELD VERIFY EXISTING CONDITIONS.
8. WORK SHOWN ON THIS SHEET SHALL BE PAID FOR UNDER ITEM AT109200.



**GATE NO. 7 ELECTRICAL ONE LINE**

**WORK SHOWN ON THIS SHEET IS FOR BID ALTERNATE NO. 2**



**PANEL M4 & GATE NO. 7 CONDUIT ELEVATION DETAIL**

NOTE: TRANSITION FROM PVC TO GRSC & 2\"/>