

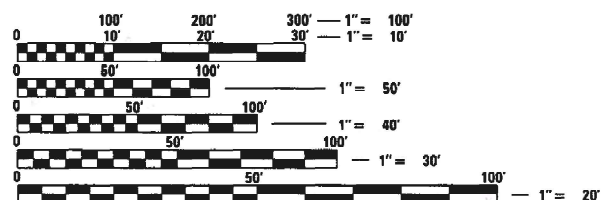
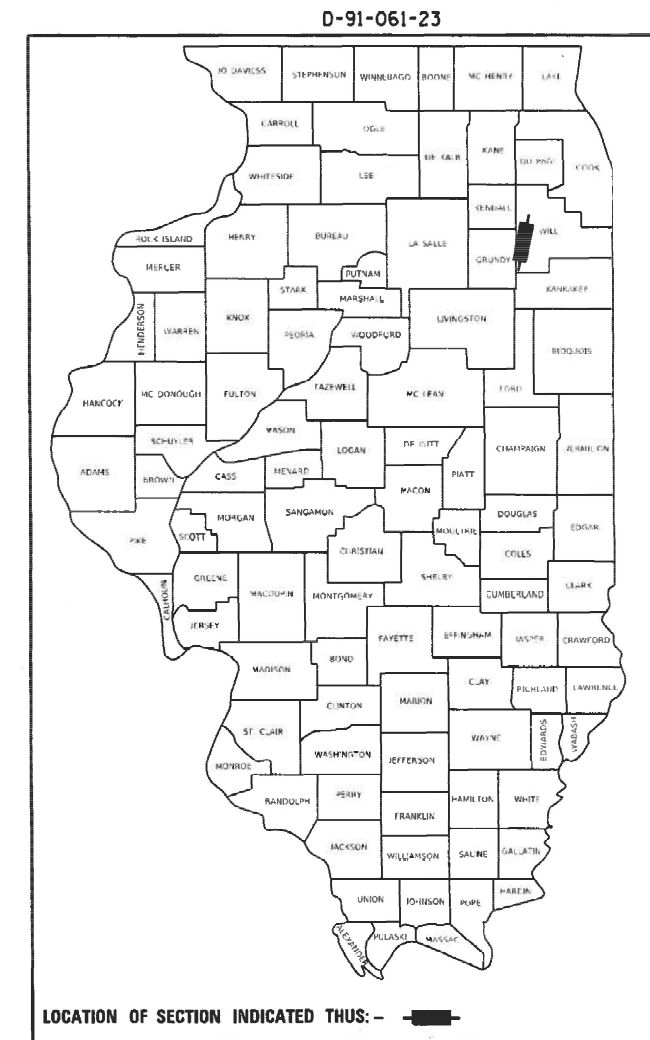
STATE OF ILLINOIS
DEPARTMENT OF TRANSPORTATION

F.A.I. RTE.	SECTION	COUNTY	TOTAL SHEETS	SHEET NO.
55	FAI 55 22 LITTER 3	WILL	5	1
		ILLINOIS	CONTRACT NO. 62U56	

FOR INDEX OF SHEETS, SEE SHEET NO. 2

**PROPOSED
HIGHWAY PLANS**

**FAI ROUTE 55: I-55
I-355 TO REED RD
SECTION: FAI 55 22 LITTER 3
EXPRESSWAY HIGHWAY CLEANING (LITTER/DEBRIS REMOVAL)
COUNTY: WILL
C-91-088-23**



FULL SIZE PLANS HAVE BEEN PREPARED USING STANDARD ENGINEERING SCALES. REDUCED SIZED PLANS WILL NOT CONFORM TO STANDARD SCALES. IN MAKING MEASUREMENTS ON REDUCED PLANS, THE ABOVE SCALES MAY BE USED.

J.U.L.I.E.
JOINT UTILITY LOCATION INFORMATION FOR EXCAVATION
1-800-892-0123
OR 811

LOCATION MAP - SEE INDEX OF SHEETS

PROJECT ENGINEER: J. ALAIN MIDY (847) 221-3056
PROJECT MANAGER: FAWAD AQUEEL (847) 705-4247

GROSS LENGTH = 375,936 FT. = 71.2 MILE
NET LENGTH = 375,936 FT. = 71.2 MILE

CONTRACT NO. 62U56

STATE OF ILLINOIS
DEPARTMENT OF TRANSPORTATION

SUBMITTED JANUARY 27 20 23
Joan Busby/CBS
REGIONAL ENGINEER

March 24, 2023
Jack A. Elk
ENGINEER OF DESIGN AND ENVIRONMENT

March 24, 2023
Steph M. Spauld
DIRECTOR OF HIGHWAYS PROJECT IMPLEMENTATION

**PRINTED BY THE AUTHORITY
OF THE STATE OF ILLINOIS**

INDEX OF SHEETS

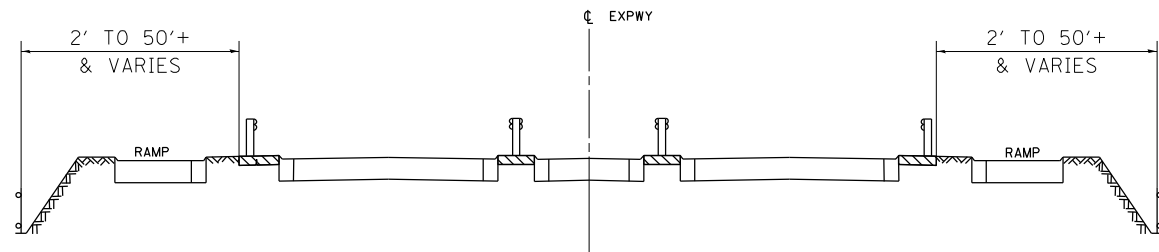
1. TITLE SHEET
2. INDEX OF SHEETS
APPLICABLE STATE STANDARDS
3. SUMMARY OF QUANTITIES
SCHEDULE OF CLEANING STARTING DATES
4. EXPRESSWAY CLEANING: I-55 (I-355 TO REED RD)
5. TRAFFIC CONTROL DETAILS FOR FREEWAY SHOULDER CLOSURES
AND PARTIAL RAMP CLOSURES (TC-17)

STATE STANDARDS

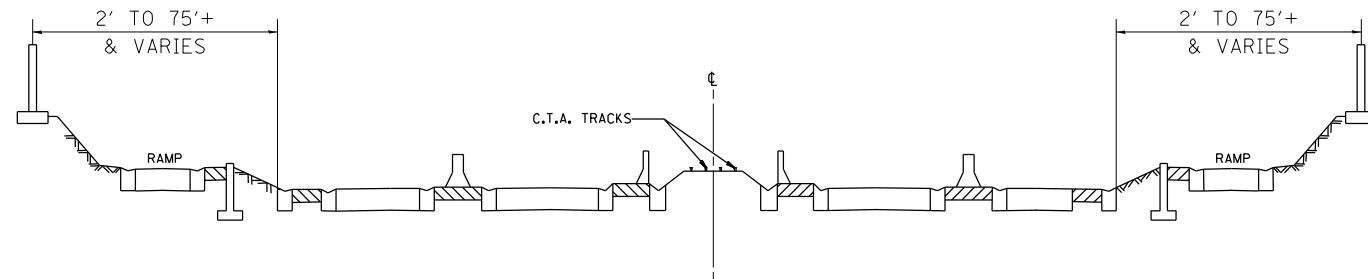
701106-02	OFF-ROAD OPERATION MULTILANE, MORE THAN 15' AWAY
701426-09	LANE CLOSURE, MULTILANE, INTERMITTENT OR MOVING OPER., FOR SPEEDS \geq 45 MPH
701901-08	TRAFFIC CONTROL DEVICES

MODEL: Default
 FILE NAME: p:\ultra-cw-bee\paw.com\PIV\DOT\Documents\DOT Offices\District 1\Projects\Sweeping_Contracts\CAD\Data\Design\Sweeping_Contract2022.dgn

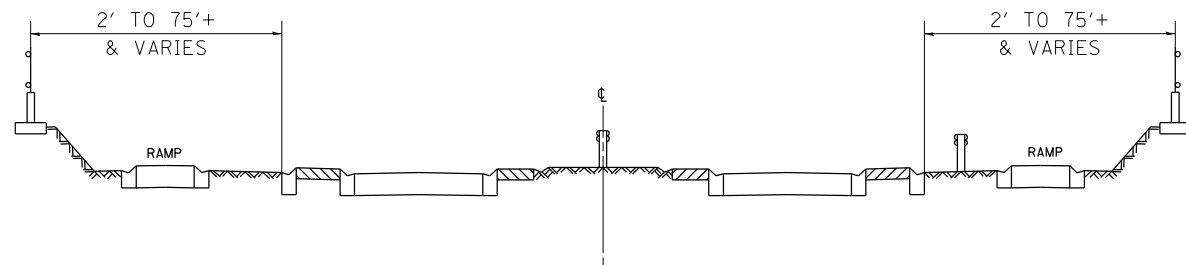
	USER NAME = Rodrigo.Ledezma PLOT SCALE = 100,0000 ' / in. PLOT DATE = 2/10/2023	DESIGNED - DRAWN - CHECKED - DATE -	REVISED - REVISED - REVISED - REVISED -	STATE OF ILLINOIS DEPARTMENT OF TRANSPORTATION	INDEX OF SHEETS AND STATE STANDARDS	F.A.J. RTE. 55	SECTION FAI 55 22 LITTER 3	COUNTY WILL	TOTAL SHEETS 5	SHEET NO. 2	CONTRACT NO. 62U56 ILLINOIS FED. AID PROJECT
SCALE:						SHEET	OF	SHEETS	STA.	TO	STA.



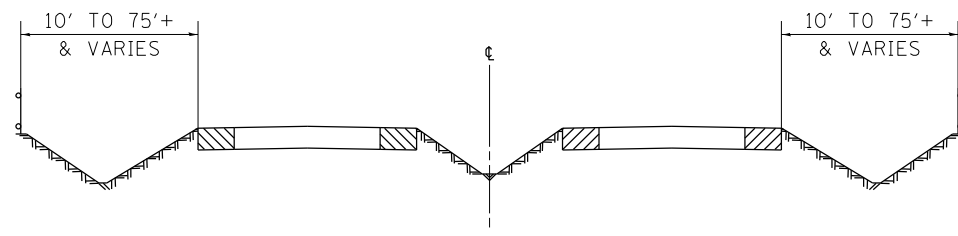
TYPICAL EXPRESSWAY CROSS-SECTION NO. 1



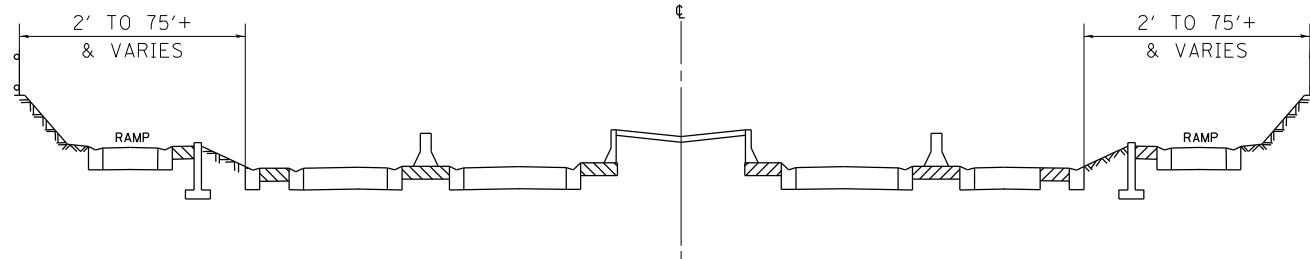
TYPICAL EXPRESSWAY CROSS-SECTION NO. 2



TYPICAL EXPRESSWAY CROSS-SECTION NO. 3



TYPICAL EXPRESSWAY CROSS-SECTION NO. 4



TYPICAL EXPRESSWAY CROSS-SECTION NO. 5

NOTES:

1. SCHEDULE MAY VARY AS DIRECTED BY THE ENGINEER.
3. NO WORK WILL BE ALLOWED DURING ANY LEGAL HOLIDAY PERIOD.
4. ALL SCHEDULES OF ANTICIPATED STARTING DATES SHOWN ARE TENTATIVE AS DETERMINED BY THE DEPARTMENT'S OPERATIONAL NEEDS.
5. NO DAILY CONTRACTOR WORK REQUESTS/ SCHEDULING SHALL BE AUTHORIZED OR APPROVED TO START WHEN IT IS DETERMINED BY THE ENGINEER THAT WEATHER CONDITIONS WILL BE UNFAVORABLE. APPROVAL OF ALL DAILY CONTRACTOR WORK SCHEDULE REQUEST SHALL BE SOLELY DETERMINED BY THE ENGINEER AND OR PROJECT SUPERVISOR.
6. ALL SHOULDER CLOSURES SHALL BE IMMEDIATELY REMOVED DURING ALL ADVERSE WEATHER CONDITIONS **WITHOUT EXCEPTION**, INCLUDING BUT NOT LIMITED TO RAIN, WET ROAD SURFACE (SPRAY FROM TIRES), MIST, DRIZZLE, SLEET, SNOW, FOG AND ANY OTHER CIRCUMSTANCE DETERMINED UNSAFE BY THE ENGINEER. **THE CONTRACTOR SHALL IMPLEMENT THIS CONTRACT REQUIREMENT IMMEDIATELY WITHOUT WAITING FOR DEPARTMENT INSTRUCTIONS.**
8. NO WORK WILL BE ALLOWED DAY OR NIGHT ON THE FOLLOWING DATES UNLESS IT IS CONSIDERED AN EMERGENCY, IMMEDIATE HAZARD OR ANY WORK AS DESIGNATED BY THE DEPARTMENT THAT REQUIRES FIRST PRIORITY CORRECTIVE ACTION:

- EASTER HOLIDAY
- MEMORIAL DAY HOLIDAY
- INDEPENDENCE DAY HOLIDAY
- LABOR DAY HOLIDAY
- THANKSGIVING HOLIDAY
- CHRISTMAS/NEW YEAR'S HOLIDAY

SUMMARY OF QUANTITIES

CODE NO.	ITEM	UNIT	URBAN	100 % STATE 0044
			TOTAL QUANTITIES	EXPRESSWAY
X0326643	LITTER PICKING	MILE	216	216

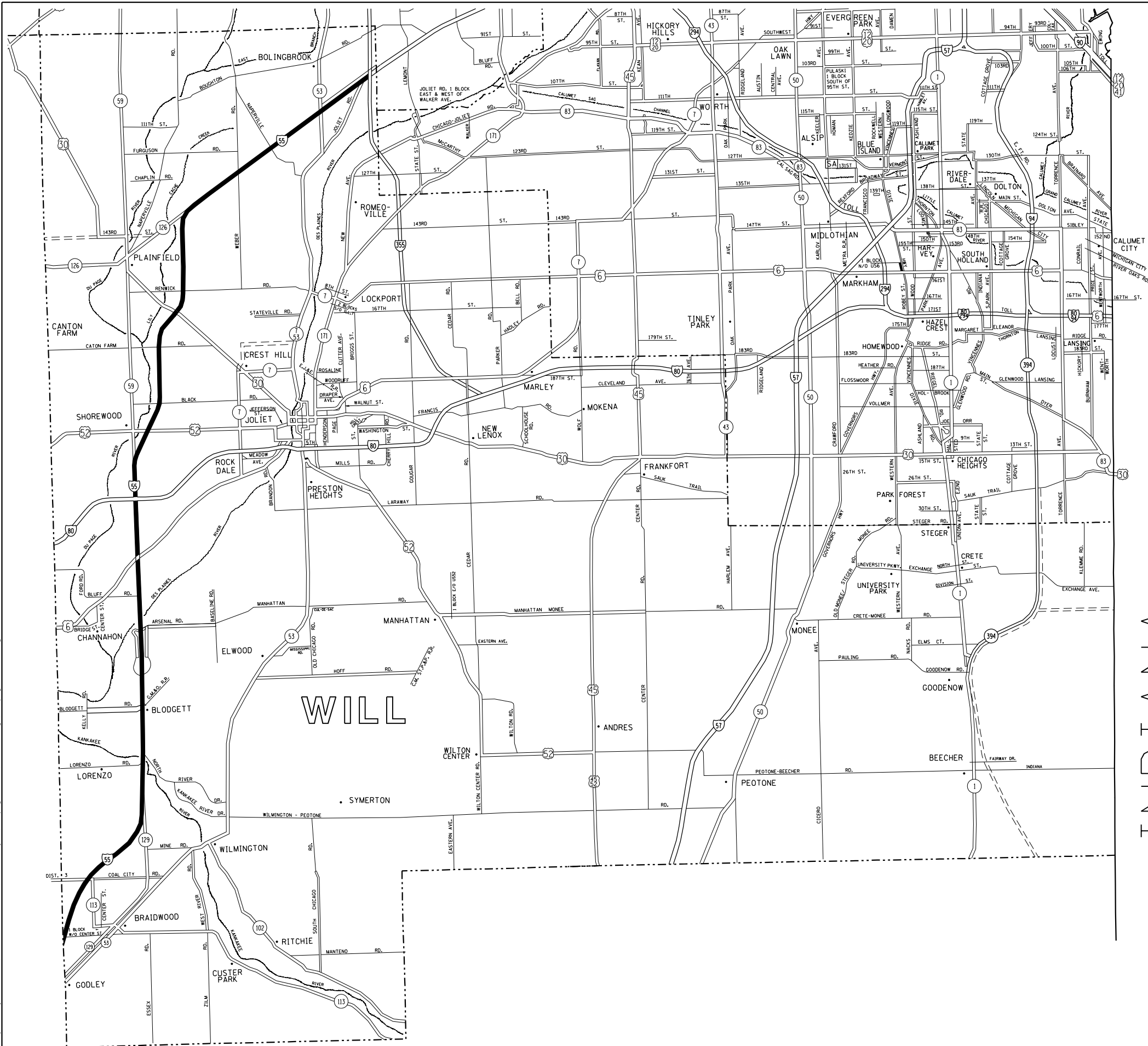
MODEL: Default
 FILE: \\mfrp-01\public\paw_bentley.com\PIV\DOT\Documents\DOT Office\Director - I\Projects\Sweeping - Contracts\CAD\Drawings\Drawings\Sweeping\Contract2022.dwg

USER NAME = Rodrigo.Ledezma	DESIGNED -	REVISED -
PLOT SCALE = 100,0000' / in.	DRAWN -	REVISED -
PLOT DATE = 2/10/2023	CHECKED -	REVISED -
	DATE -	REVISED -

STATE OF ILLINOIS
DEPARTMENT OF TRANSPORTATION

SUMMARY OF QUANTITIES SCHEDULE OF STARTING DATES				
SCALE:	SHEET	OF	SHEETS	STA. TO STA.

F.A.J. RTE.	SECTION	COUNTY	TOTAL SHEETS	SHEET NO.
55	FAI 55 22 LITTER 3	WILL	5	3
			CONTRACT NO. 62U56	
ILLINOIS FED. AID PROJECT				



- DISTRICT NO. 1
- STATE HIGHWAYS & EXPRESSWAYS WITHIN STATE JURISDICTION (EXCEPT TOLLWAYS)
 - STATE HIGHWAYS & EXPRESSWAYS TO BE CLEANED
 - - - FUTURE HIGHWAYS
 - VARIOUS AGENCIES HIGHWAYS

INDIANA

MODEL: Default
FILE NAME: p:\ilidest-pw-bentley.com\p\ilidest\Documents\DOT Office\District 1\Project\Sweeping\Contract\CA5522\3a\Design\Sweeping\Contract2022.dgn

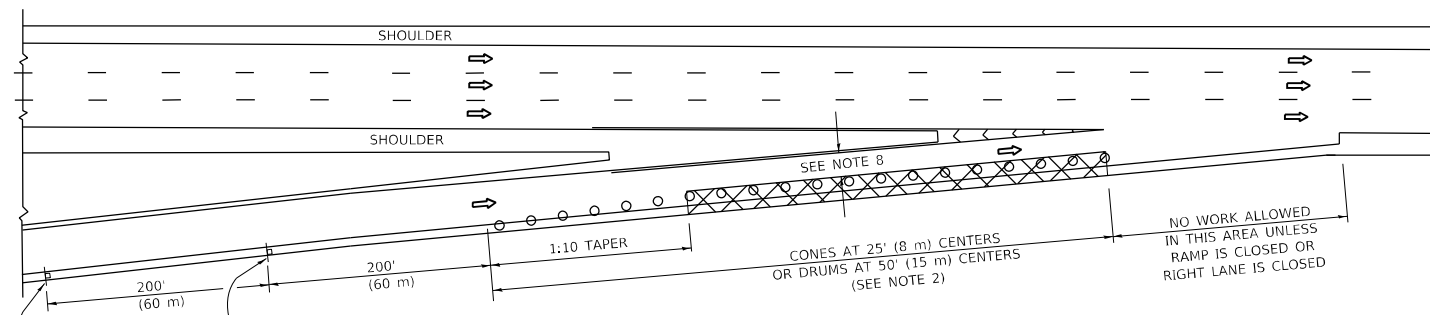
USER NAME = Rodrigo.Ledezma	DESIGNED -	REVISED -
PLOT SCALE = 100,000' / in.	DRAWN -	REVISED -
PLOT DATE = 2/10/2023	CHECKED -	REVISED -
	DATE -	REVISED -

**STATE OF ILLINOIS
DEPARTMENT OF TRANSPORTATION**

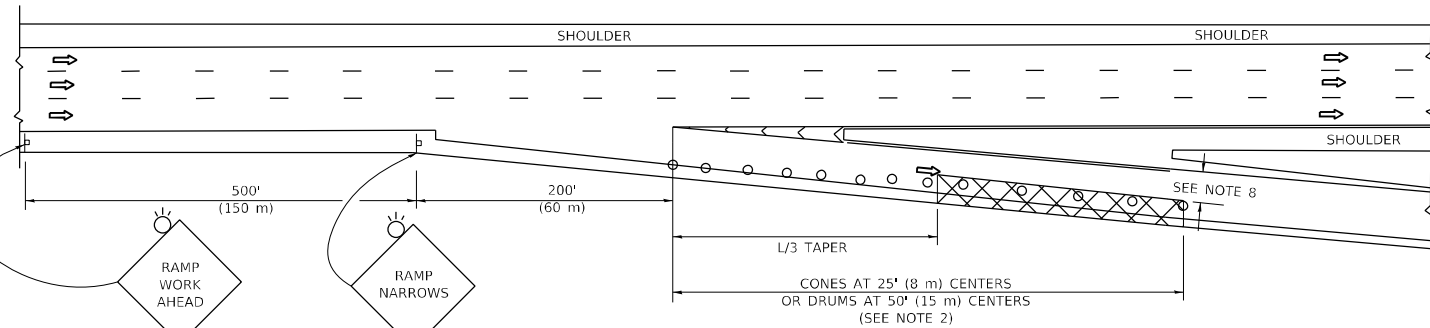
EXPRESSWAY CLEANING LOCATION MAP			
I-55			
SCALE:	SHEET	OF	SHEETS
		STA.	TO STA.

F.A.I. RTE.	SECTION	COUNTY	TOTAL SHEETS	SHEET NO.
55	FAI 55 22 LITTER 3	WILL	5	4
CONTRACT NO. 62U56				
ILLINOIS FED. AID PROJECT				

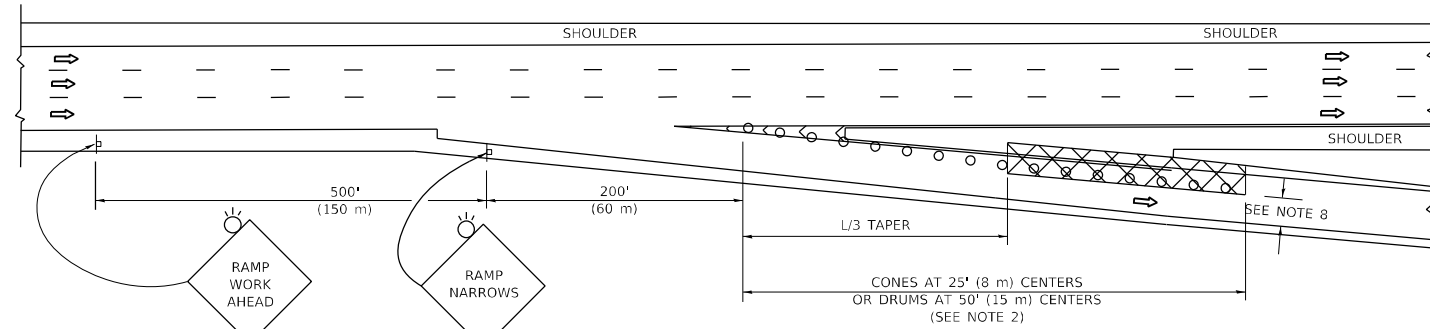
PARTIAL RAMP CLOSURE DETAILS



TYPICAL ENTRANCE RAMP



TYPICAL EXIT RAMP



TYPICAL EXIT RAMP

SYMBOLS

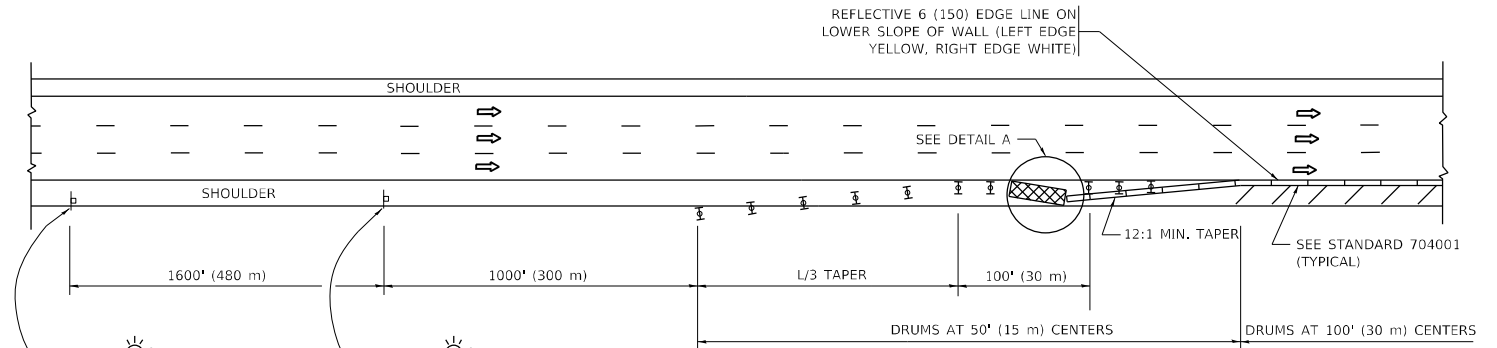
- ACTIVE WORK AREA
- SIGN ON PORTABLE OR PERMANENT SUPPORT
- FLAGGER WITH CONTROL SIGN
- TYPE II BARRICADE OR DRUM
- CONE, DRUM OR BARRICADE
- IMPACT ATTENUATOR OF TYPE AND TEST LEVEL SPECIFIED

GENERAL NOTES:

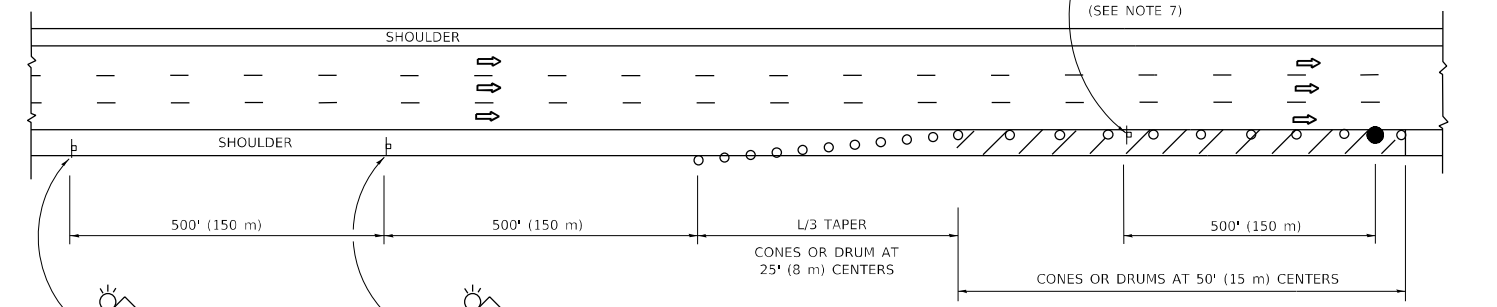
1. THE "L" DISTANCE EQUALS:

SPEED LIMIT		FORMULAS	
45 mph (80 km/h)	METRIC	ENGLISH	
OR GREATER:	$L = 0.65(W/S)$	$L = (W/S)$	
	$W = \text{WIDTH OF OFFSET IN FEET (METERS)}$		
	$S = \text{NORMAL POSTED SPEED MPH (KM/H)}$		
2. TYPE II BARRICADES OR DRUMS ARE REQUIRED FOR ALL NIGHTTIME CLOSURES. TYPE II BARRICADES OR DRUMS WITH MONODIRECTIONAL STEADY BURN LIGHTS ARE REQUIRED FOR DELINEATING OBSTACLES, EXCAVATIONS, OR HAZARDS EXCEEDING 100 FT (30m) IN LENGTH AT NIGHT.
3. ALL SIGNS SHALL BE POST MOUNTED IF THE CLOSURE TIME EXCEEDS FOUR DAYS.
4. FLASHING LIGHTS SHALL BE USED DURING THE HOURS OF DARKNESS AND SHALL BE INSTALLED ABOVE THE FIRST TWO SETS OF SIGNS.

SHOULDER CLOSURE DETAILS



PERMANENT SHOULDER CLOSURE



TEMPORARY SHOULDER CLOSURE

- THIS DETAIL IS USED WHERE:
1. VEHICLES, EQUIPMENT, WORKERS OR THEIR ACTIVITIES ENCR OACH IN AN AREA CLOSER THAN 15' (4.5 m) TO THE EDGE OF PAVEMENT FOR A PERIOD IN EXCESS OF 15 MINUTES.



**DETAIL "A"
IMPACT ATTENUATOR, TEMPORARY
(SEE NOTE 5)**

5. THE IMPACT ATTENUATOR, TEMPORARY IS NOT REQUIRED WHEN THE TEMPORARY CONCRETE BARRIER WALL IS PROTECTED BY OR IS TIED INTO THE EXISTING GUARDRAIL. IF OFFSET IS LESS THAN 5 FEET USE NARROW USE TYPE DEVICE TO MEET NCHRP350/MASH.
6. AUTHORIZATION FROM THE DISTRICT'S BUREAU OF TRAFFIC IS REQUIRED FOR ALL FREEWAY CLOSURES.
7. THE FLAGGER AND FLAGGER SIGN ARE REQUIRED AT THE ABOVE WORK SITES WHEN:
 - a. FOUR OR MORE WORK VEHICLES ENTER THE TRAFFIC LANES IN A ONE HOUR PERIOD.
 - b. THE WORK AVTIVITY REQUIRES FREQUENT ENCR OACHMENT INTO THE LANE OPEN TO TRAFFIC.
 THE FLAGGER SHALL BE STATIONED APPROXIMATELY 100' (30 m) TO 200' (60 m) IN ADVANCE OF THE WORKERS.

8. 12' MIN. WIDTH TANGENT SECTION
16' MIN. WIDTH CURVE SECTION.
9. TEMPORARY SHOULDER AND NON-SYSTEM INTERCHANGE PARTIAL RAMP CLOSURES ARE ALLOWED WEEKDAYS BETWEEN 9:00 A.M. AND 3:00 P.M. AND BETWEEN 7:00 P.M. AND 5:00 A.M. OR AS APPROVED BY THE EXPRESSWAY TRAFFIC OPERATIONS ENGINEER. PERMANENT SHOULDER AND PARTIAL RAMP CLOSURES WILL ONLY BE PERMITTED IF CALLED FOR IN THE PLANS OR AS APPROVED BY THE EXPRESSWAY OPERATIONS ENGINEER.

ALL DIMENSIONS ARE IN INCHES (MILLIMETERS) UNLESS OTHERWISE SHOWN.

MODEL: Default
 FILE NAME: \\s:\project\paw\benefly.com\PIV\DOT\Documents\DOT Offices\District 1\Projects\Sweeping\Contract\2022.dgn
 PROJECT: Sweeping Contract 2022.dgn

USER NAME = Rodrigo.Ledezma	DESIGNED -	REVISED - S.P.B. 12-09
PLOT SCALE = 100,0000' / in.	DRAWN - D.W.S.	REVISED - M.D. 06-13
PLOT DATE = 2/10/2023	CHECKED -	REVISED - M.D. 01-18
	DATE - 11-96	REVISED - M.D. 10-20

**STATE OF ILLINOIS
DEPARTMENT OF TRANSPORTATION**

**TRAFFIC CONTROL DETAILS FOR FREEWAY
SHOULDER CLOSURES AND PARTIAL RAMP CLOSURES**

SCALE: NONE SHEET 1 OF 1 SHEETS STA. TO STA.

F.A.I. RTE.	SECTION	COUNTY	TOTAL SHEETS	SHEET NO.
55	FAI 55 22 LITTER 3	WILL	5	5
TC-17			CONTRACT NO. 62U56	
ILLINOIS FED. AID PROJECT				