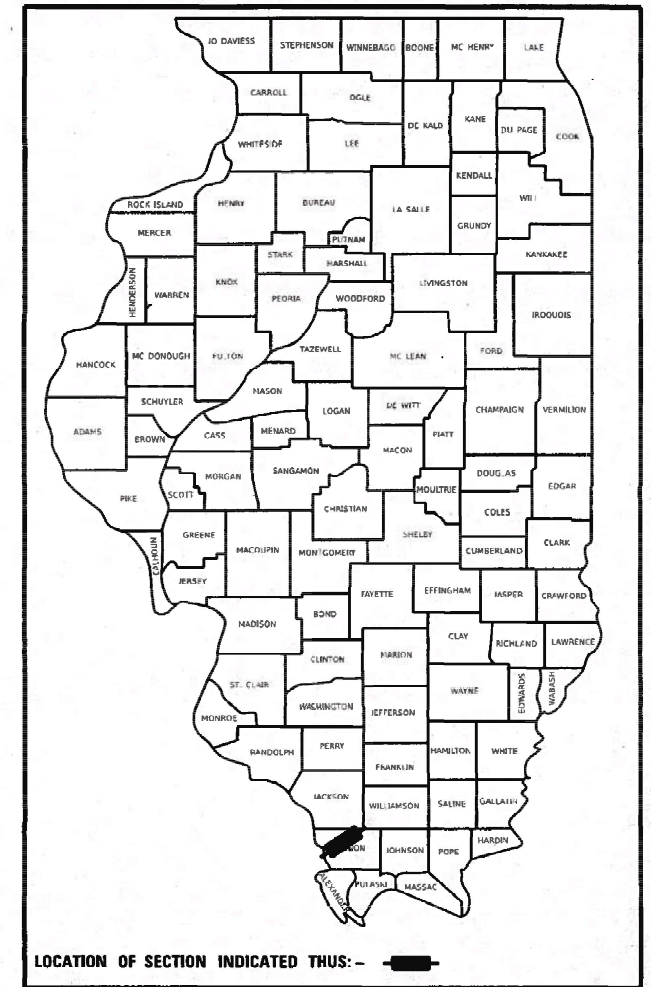


04-28-2023 LETTING ITEM 071

STATE OF ILLINOIS
DEPARTMENT OF TRANSPORTATION

F.A.S. RTE.	SECTION	COUNTY	TOTAL SHEETS	SHEET NO.
1909	D9 BRIDGE OVERLAY 2023-3	UNION	10	1
		ILLINOIS	CONTRACT NO. 78921	

D-99-015-22



FOR INDEX OF SHEETS, SEE SHEET NO. 3
FOR SUMMARY OF QUANTITIES, SEE SHEET NO. 4-5

PROPOSED HIGHWAY PLANS

FAS ROUTE 1909(IL 127)
D9 BRIDGE OVERLAY 2023-3
PROJECT HBFP-V5XT(350)
BRIDGE OVERLAY
UNION COUNTY

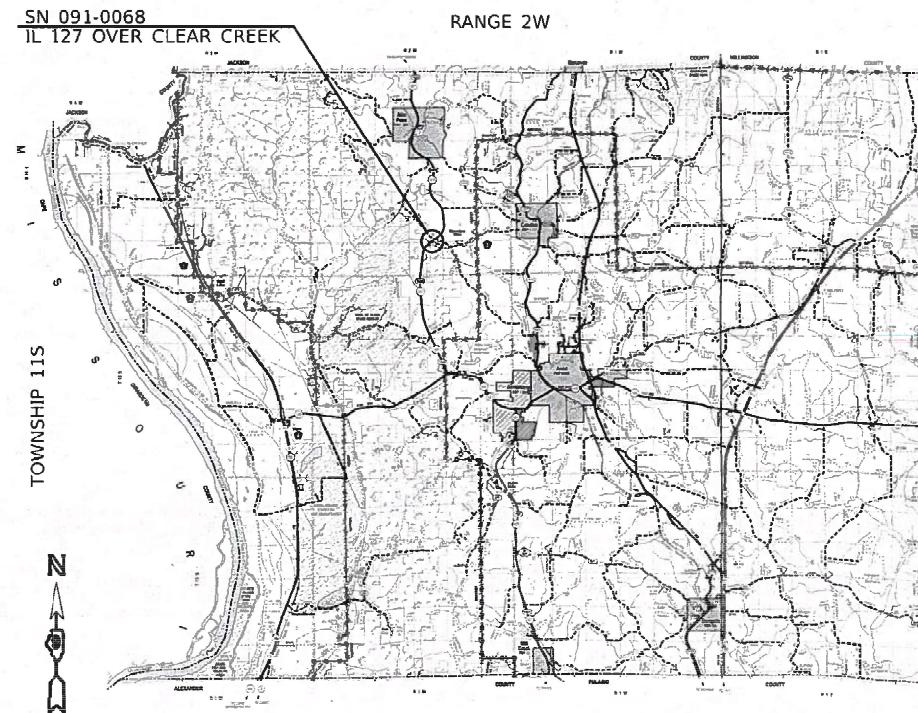
C-99-027-22

TRAFFIC DATA

SN 091-0068 : 2023 ADT = 1,220
WITH 10.7% TRUCKS

TOWNSHIPS

SN 091-0068 : COUNTY UNIT ROAD DISTRICT



DESIGN DESIGNATION : N/A
COORDINATE SYSTEM : STATE PLANE ZONE - ILLINOIS WEST
POSTED SPEED : 55 MPH

J.U.L.I.E.
JOINT UTILITY LOCATION INFORMATION FOR EXCAVATION
1-800-892-0123
OR 811

PROJECT ENGINEER GRANT DETERDING
PROJECT DESIGNER DEREK SNIDER

CONTRACT NO. 78921

GROSS LENGTH = 236.5 FT. = 0.045 MILES
NET LENGTH = 235.5 FT. = 0.045 MILES

STATE OF ILLINOIS
DEPARTMENT OF TRANSPORTATION

SUBMITTED Jan 20 20 23

Kirk H. Brown
REGION FIVE ENGINEER

March 24, 2023 [Signature]
ENGINEER OF DESIGN AND ENVIRONMENT

March 24, 2023 [Signature]
DIRECTOR OF HIGHWAYS PROJECT IMPLEMENTATION

PRINTED BY THE AUTHORITY
OF THE STATE OF ILLINOIS

Prepared By: Charles Steir
DISTRICT STUDIES & PLANS ENGINEER

Examined By: Nancy Lee
DISTRICT LAND ACQUISITION ENGINEER

Examined By: Carrie Miller
DISTRICT PROGRAM DEVELOPMENT ENGINEER

Examined By: R. C. ...
DISTRICT OPERATIONS ENGINEER

Examined By: Daryl J. ...
DISTRICT PROJECT IMPLEMENTATION ENGINEER

Examined By: Daryl J. ...
DISTRICT CONSTRUCTION ENGINEER

Examined By: Aaron Hayes
DISTRICT MATERIALS ENGINEER

MODEL: \\MODEL\NAMES
FILE NAME: SP125

USER NAME = \$USERS	DESIGNED - _____	REVISED - _____
DRAWN - _____	REVISOR - _____	REVISION - _____
PLOT SCALE = \$SCALES	CHECKED - _____	REVISOR - _____
PLOT DATE = \$DATES	DATE - _____	REVISION - _____

**STATE OF ILLINOIS
DEPARTMENT OF TRANSPORTATION**

SIGNATURE SHEET

SCALE: _____ SHEET _____ OF _____ SHEETS STA. _____ TO STA. _____

F.A.S. RTE.	SECTION	COUNTY	TOTAL SHEETS	SHEET NO.
1909	D9 BRIDGE OVERLAY 2023-3	UNION	10	2
ILLINOIS FED. AID PROJECT			CONTRACT NO. CNT. NO.	

INDEX OF SHEETS

1	COVER SHEET
2	SIGNATURES
3	GENERAL NOTES, INDEX OF SHEETS, AND STANDARDS
4-5	SUMMARY OF QUANTITIES
6-10	SN 09I-0068 REPAIR DETAILS

GENERAL NOTES

FACTORS USED FOR ESTIMATING PLAN QUANTITIES ARE AS FOLLOWS AND SHALL NOT BE USED FOR THE BASIS OF FINAL QUANTITIES:
 ALL HOT MIX ASPHALT 2.016 TONS/CU YD

COMMITMENTS: NONE

Location(s):	Hot-Mix Asphalt Surface Course (IL-127)
Mixture Use(s):	Hot-Mix Asphalt Surface Course, Mix D, N70
PG:	PG64-22
Design Air Voids:	4.0%, 70 Gyration Design
Mixture Composition:(Gradation Mixture)	IL-9.5mm
Friction Aggregate:	Mix D
Mixture Weight:	112 lbs/sq yd/in
Quality Management Program:	QCQA
Sublot Size:	3000
Material Transfer Device (Required?):	No

Location(s):	Hot-Mix Asphalt 10" widening (Top Lift)
Mixture Use(s):	Hot-Mix Asphalt Surface Course, Mix C, N70
PG:	PG64-22
Design Air Voids:	4.0%, 70 Gyration Design
Mixture Composition:(Gradation Mixture)	IL-9.5mm
Friction Aggregate:	Mix C
Mixture Weight:	112 lbs/sq yd/in
Quality Management Program:	QCQA
Sublot Size:	3000
Material Transfer Device (Required?):	No

Location(s):	Hot-Mix Asphalt 10" widening (Bottom Lifts)
Mixture Use(s):	Hot-Mix Asphalt Surface Binder, N70
PG:	PG64-22
Design Air Voids:	4.0%, 70 Gyration Design
Mixture Composition:(Gradation Mixture)	IL-19.0mm
Friction Aggregate:	None
Mixture Weight:	112 lbs/sq yd/in
Quality Management Program:	QCQA
Sublot Size:	3000
Material Transfer Device (Required?):	No

Lift Thickness:
 1 1/2" Surface Course
 2 1/4" Binder Course
 2 1/4" Binder Course
 4" Binder Course

STANDARDS

000001-08	STANDARD SYMBOLS, ABBREVIATIONS AND PATTERNS
001006	DECIMAL OF AN INCH AND OF A FOOT
701001-02	OFF-ROAD OPERATIONS, 2L, 2W, MORE THAN 15' AWAY
701006-05	OFF-ROAD OPERATIONS, 2L, 2W, 15' TO 24" FROM PAVEMENT EDGE
701316-13	LANE CLOSURE, 2L, 2W, BRIDGE REPAIR FOR SPEED > 45 MPH
701326-04	LANE CLOSURE, 2L, 2W, PAVEMENT WIDENING, FOR SPEEDS > 45 MPH
701901-08	TRAFFIC CONTROL DEVICES
780001-05	TYPICAL PAVEMENT MARKINGS
862001-01	UNINTERRUPTABLE POWER SUPPLY (UPS)
420001-10	PAVEMENT JOINTS

REV. - MS

MODEL: Index of Sheets (Sheet)
 FILE NAME: P:\Illinois\Projects\919RD\Projects\78921\CAD\Drawings\Index\Index.dgn

USER NAME = Derek.Snyder	DESIGNED - _____	REVISED - _____	STATE OF ILLINOIS DEPARTMENT OF TRANSPORTATION	INDEX OF SHEETS, GENERAL NOTES, STANDARDS	F.A.S. RTE.	SECTION	COUNTY	TOTAL SHEETS	SHEET NO.
PLOT SCALE = 0.16666633 1/ in.	DRAWN - _____	REVISED - _____			1909	D9 BRIDGE OVERLAY 2023-3	UNION	10	3
PLOT DATE = 1/18/2023	CHECKED - _____	REVISED - _____			CONTRACT NO. 78921				
	DATE - _____	REVISED - _____			ILLINOIS FED. AID PROJECT				

SUMMARY OF QUANTITIES

0047

COUNTY:	UNION CO
ROUTE:	FAS 1909
FUNDING:	80% FEDERAL 20% STATE
LOCATION:	BRIDGE
	STRUCTURE
	091-0068

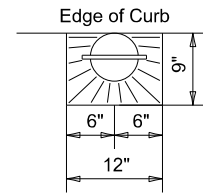
CODE NUMBER	ITEM DESCRIPTION	UNIT	TOTAL QUANTITY	
20200500	EARTH EXCAVATION (WIDENING)	CU YD	52	52
35650500	BASE COURSE WIDENING 10"	SQ YD	188	188
40600290	BITUMINOUS MATERIALS (TACK COAT)	POUND	382	382
40600982	HOT-MIX ASPHALT SURFACE REMOVAL - BUTT JOINT	SQ YD	200	200
40600990	TEMPORARY RAMP	SQ YD	33	33
40604062	HOT-MIX ASPHALT SURFACE COURSE, IL-9.5, MIX "D", N70	TON	76	76
58100200	WATERPROOFING MEMBRANE SYSTEM	SQ YD	321	321
60300105	FRAMES AND GRATES TO BE ADJUSTED	EACH	2	2
67000400	ENGINEER'S FIELD OFFICE, TYPE A	CAL MO	2	2
67100100	MOBILIZATION	L SUM	1	1
70100100	TRAFFIC CONTROL AND PROTECTION, STANDARD 701316	EACH	1	1
70100500	TRAFFIC CONTROL AND PROTECTION, STANDARD 701326	L SUM	1	1
70106500	TEMPORARY BRIDGE TRAFFIC SIGNALS	EACH	1	1
70106700	TEMPORARY RUMBLE STRIPS	EACH	6	6

MODEL: SDO (Sheet)
FILE NAME: P:\Info-cw\berber\com\PMW\DOT\Documents\DOT_Offices\District 9\BPD Projects\78921\CAD\data\CADsheets\09xxxxx-SHC-S50.dgn

REV. - MS

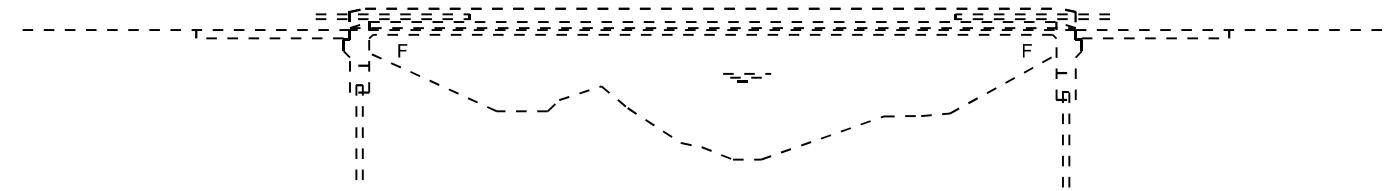
GENERAL NOTES

Plan dimensions and details relative to existing plans are subject to nominal construction variations. The Contractor shall field verify existing dimensions and details affecting new construction and make necessary approved adjustments prior to construction or ordering of materials. Such variations shall not be cause for additional compensation for a change in scope of the work, however, the Contractor will be paid for the quantity actually furnished at the unit price bid for the work.

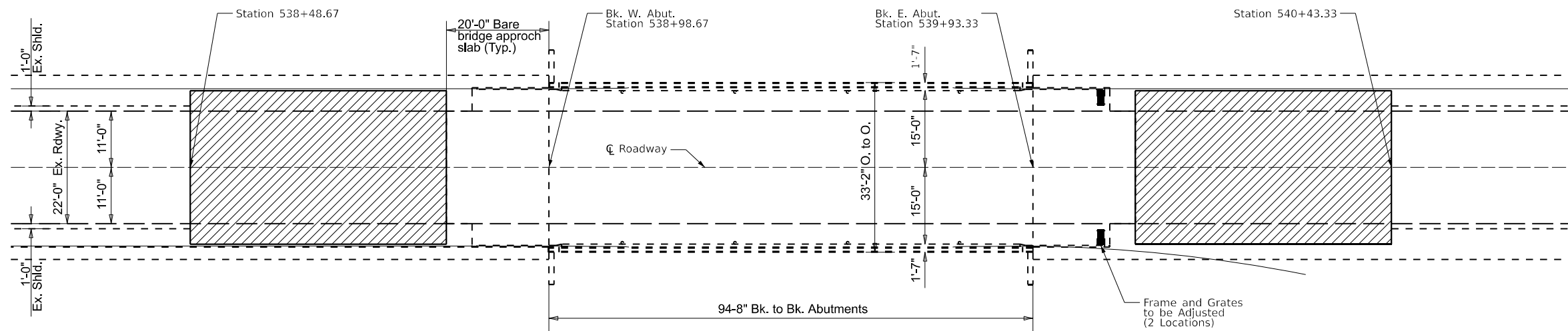


FLOOR DRAIN

Slope Overlay at Drains
8 Total Drains at Bridge Deck



ELEVATION



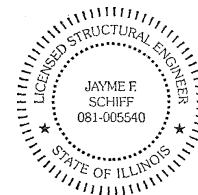
PLAN

LEGEND:

HMA Surface Removal - Butt Joint

SCOPE OF WORK

- Install HMA Widening
- Set up TC&P Standard 701316
- RPM Removal
- Approach Slab Repair (Partial)
- Apply WMS Waterproofing
- HMA Surface Removal - Butt Joint
- Apply Tack Coat
- HMA Surface Course



Expires 11-30-2024

Jayme F. Schiff

DESIGN STRESSES

(From Existing Plans)
f'c=3,500 psi
fy=60,000psi

TOTAL BILL OF MATERIAL

ITEM	UNIT	QUANTITY
HMA Surface Course, IL-9.5, Mix "D", N70	Ton	76
Waterproofing Membrane System	Sq. Yd.	321
Bituminous Material (Tack Coat)	Pound	382
Approach Slab Repair ("Partial Depth")	Sq. Yd.	2
Frames and Grates to be Adjusted	Each	2

BRIDGE OVERLAY
IL 127 OVER CLEAR CREEK
FAS 1909 - D9 BRIDGE OVERLAY 2023-3
UNION COUNTY
STRUCTURE NO. 091-0068

MODEL: Plan Sheet 7 (Sheet)
FILE NAME: P:\GIS\Projects\78921\CAD\Drawings\CAD\Drawings\0910068\0910068.dwg

USER NAME = Derek.Snyder	DESIGNED - _____	REVISED - _____
PLOT SCALE = 0.16666633 ' / in.	DRAWN - _____	REVISED - _____
PLOT DATE = 2/23/2023	CHECKED - _____	REVISED - _____
	DATE - _____	REVISED - _____

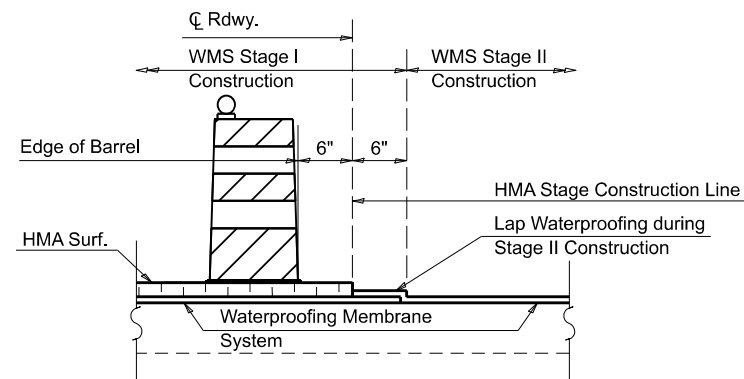
STATE OF ILLINOIS
DEPARTMENT OF TRANSPORTATION

GENERAL PLAN AND ELEVATION
SN 091-0068

SCALE: _____ SHEET _____ OF _____ SHEETS STA. _____ TO STA. _____

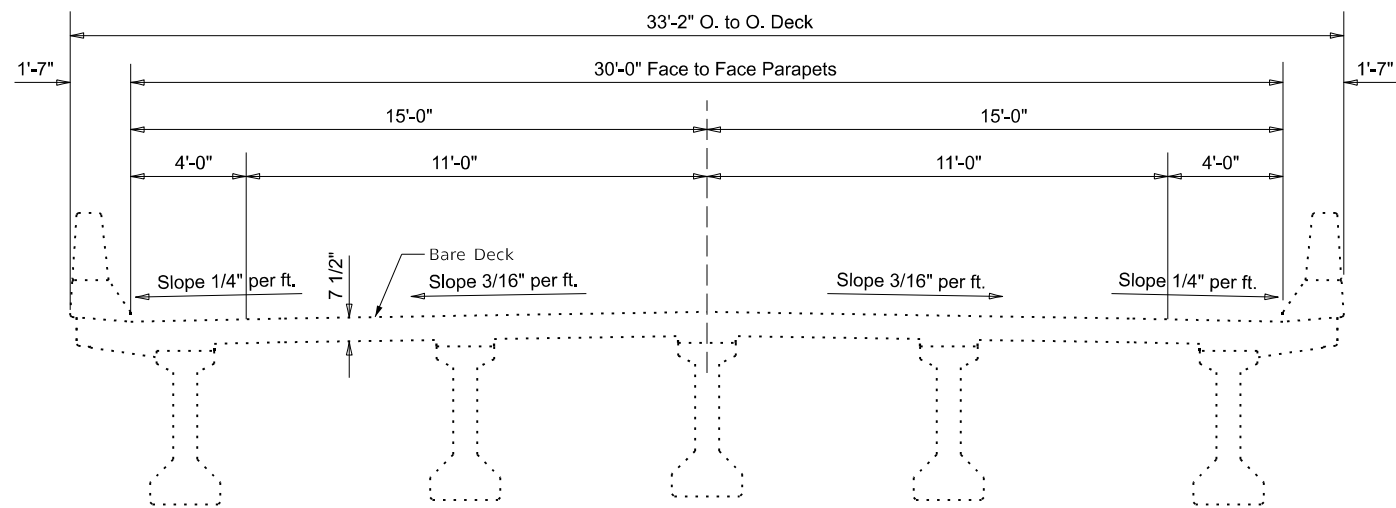
F.A.S. RTE.	SECTION	COUNTY	TOTAL SHEETS	SHEET NO.
1909	D9 BRIDGE OVERLAY 2023-3	UNION	10	6

CONTRACT NO. 78921
ILLINOIS FED. AID PROJECT

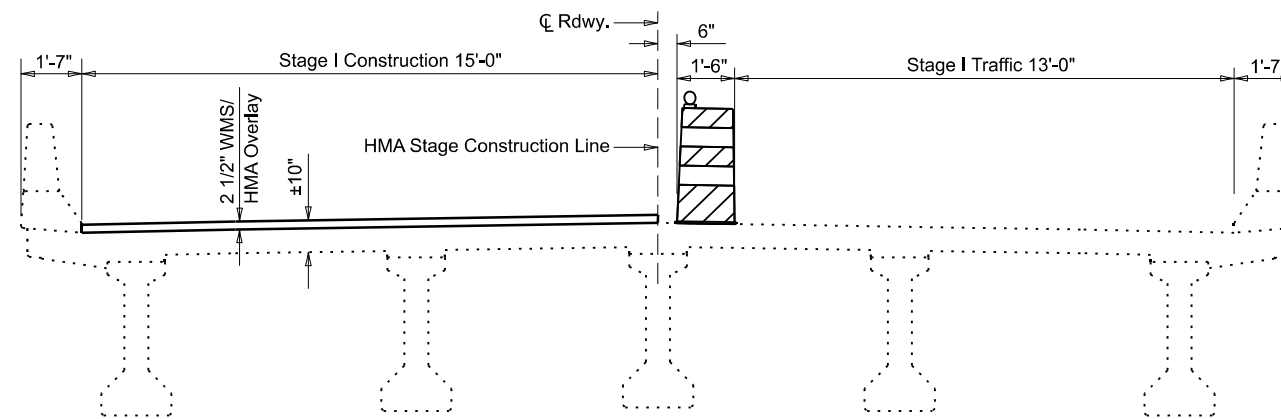


**WATERPROOFING TREATMENT
AT STAGE CONSTRUCTION**

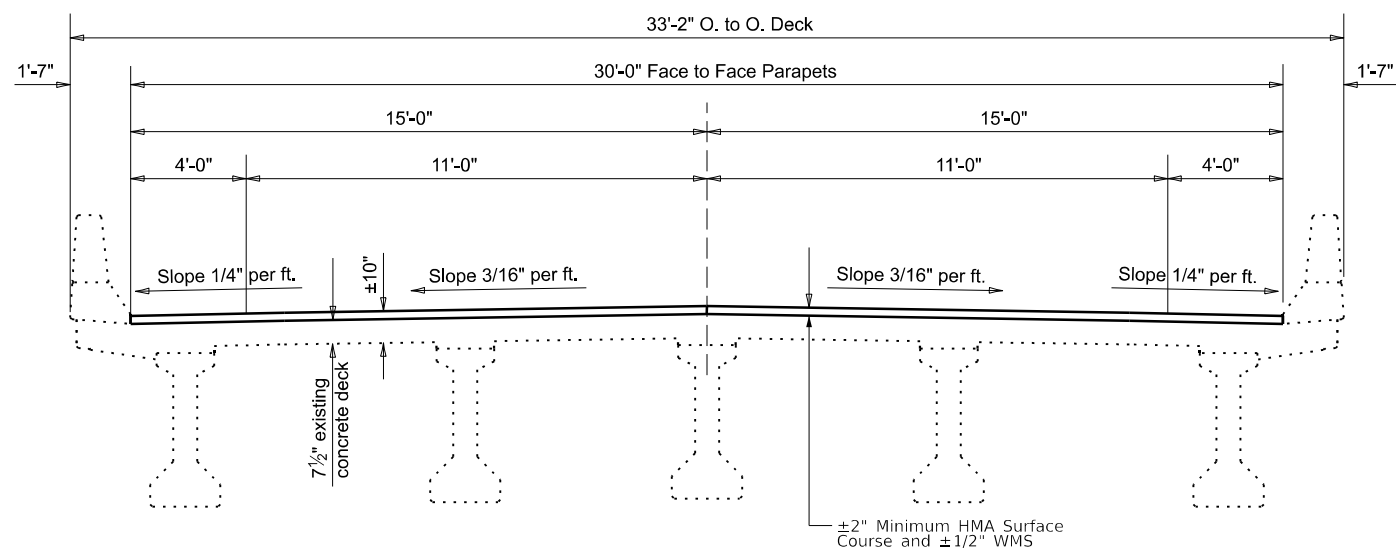
Note: All Sections looking East



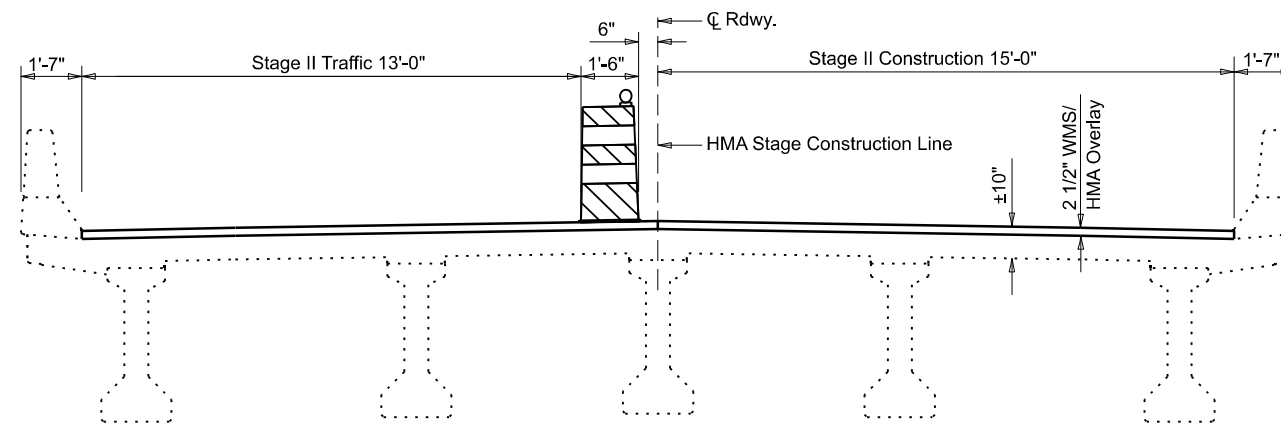
TYPICAL BRIDGE SECTION - EXISTING



STAGE I CONSTRUCTION



TYPICAL BRIDGE SECTION - PROPOSED



STAGE II CONSTRUCTION

MODEL: P:\in Sheet 0 (Sheet)
FILE NAME: P:\projects\78921\CD\Drawings\CD\Drawings\0910066\0910066.dwg

USER NAME = Derek.Snider	DESIGNED -	REVISED -
PLOT SCALE = 0.16666633' / in.	DRAWN -	REVISED -
PLOT DATE = 2/23/2023	CHECKED -	REVISED -
	DATE -	REVISED -

**STATE OF ILLINOIS
DEPARTMENT OF TRANSPORTATION**

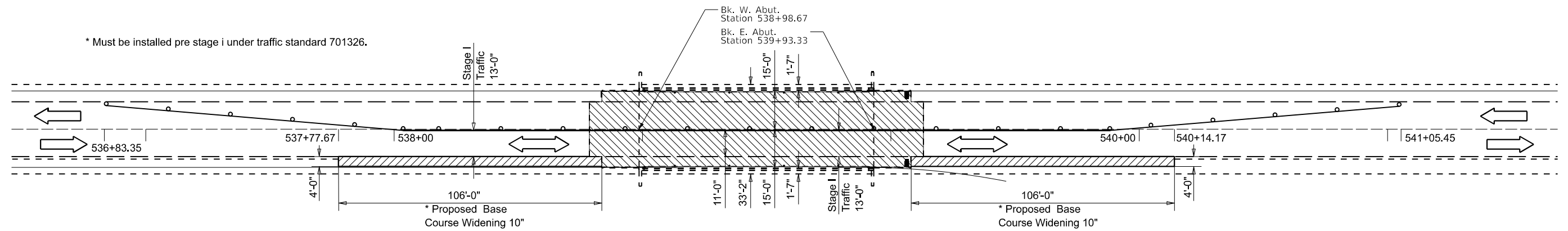
TYPICAL SECTIONS
SN 091-0068

SCALE: _____ SHEET _____ OF _____ SHEETS STA. _____ TO STA. _____

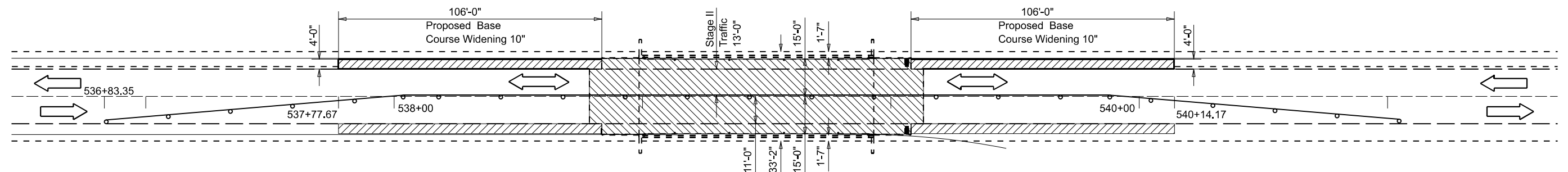
F.A.S. RTE.	SECTION	COUNTY	TOTAL SHEETS	SHEET NO.
1909	D9 BRIDGE OVERLAY 2023-3	UNION	10	7
CONTRACT NO. 78921				
ILLINOIS FED. AID PROJECT				

GENERAL NOTES

Removal of existing HMA pavement, aggregate shoulders, and earth to construct base course widening 10" will be paid for at the contract unit price per cubic yard for earth excavation (widening).



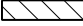
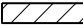

STAGE I TRAFFIC



STAGE II TRAFFIC

Note: For additional information, see Standard 701316-13.

LEGEND:

-  Work Area
-  Base Course Widening
-  Drum with steady burn bi-directional light

MODEL: P:\in Sheet 9 (Sheet)
FILE NAME: P:\in Sheet 9 (Sheet)\DOT\Office\District 9\BRD Projects\78921\CAD\Drawings\CADsheets\0978921-SHD-1\typical.dgn

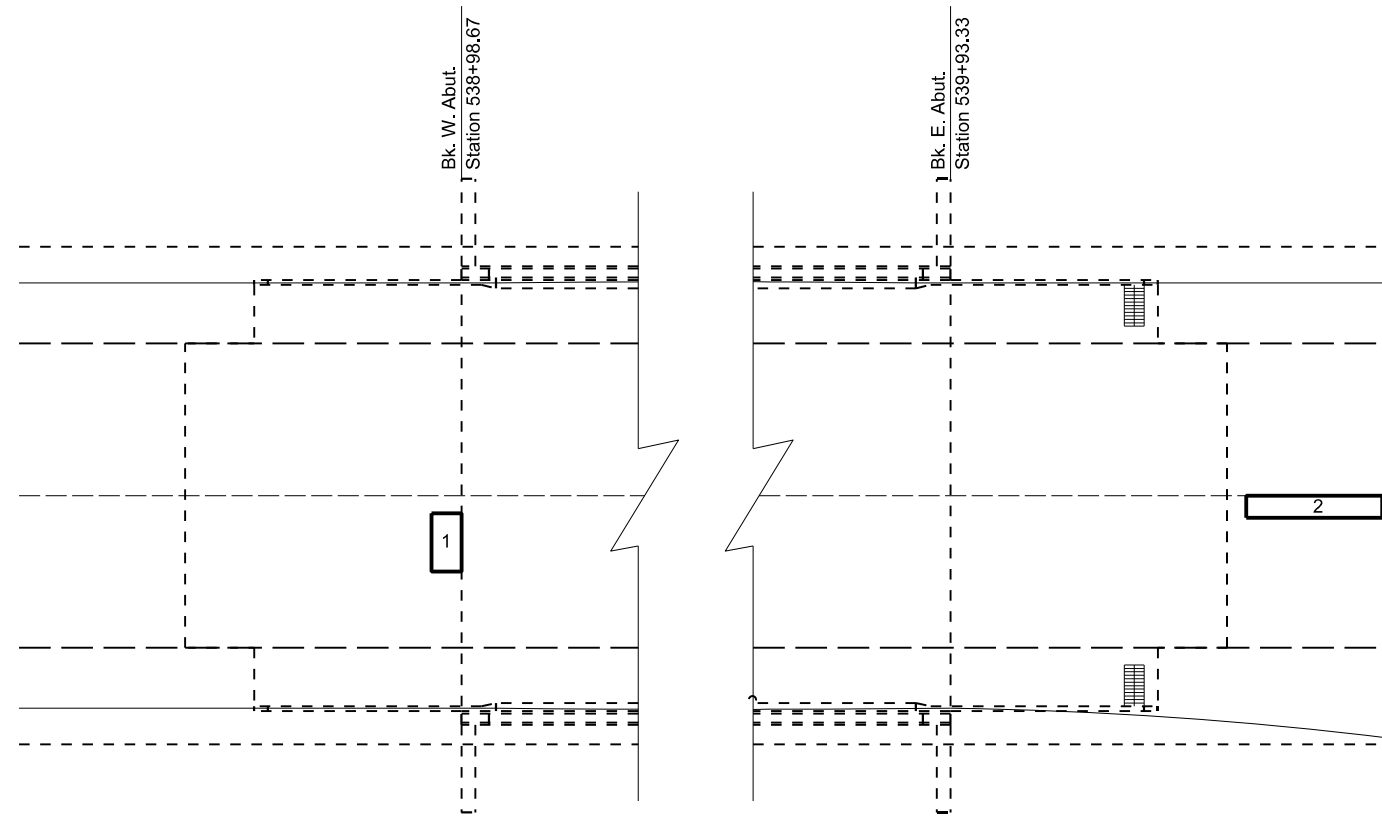
USER NAME = Derek.Snyder	DESIGNED - _____	REVISED - _____
DRAWN - _____	REVISIONS - _____	REVISIONS - _____
PLOT SCALE = 0.16666633' / in.	CHECKED - _____	REVISIONS - _____
PLOT DATE = 2/23/2023	DATE - _____	REVISIONS - _____

**STATE OF ILLINOIS
DEPARTMENT OF TRANSPORTATION**

**STAGING PLAN
SN 091-0068**

SCALE: _____ SHEET _____ OF _____ SHEETS STA. _____ TO STA. _____

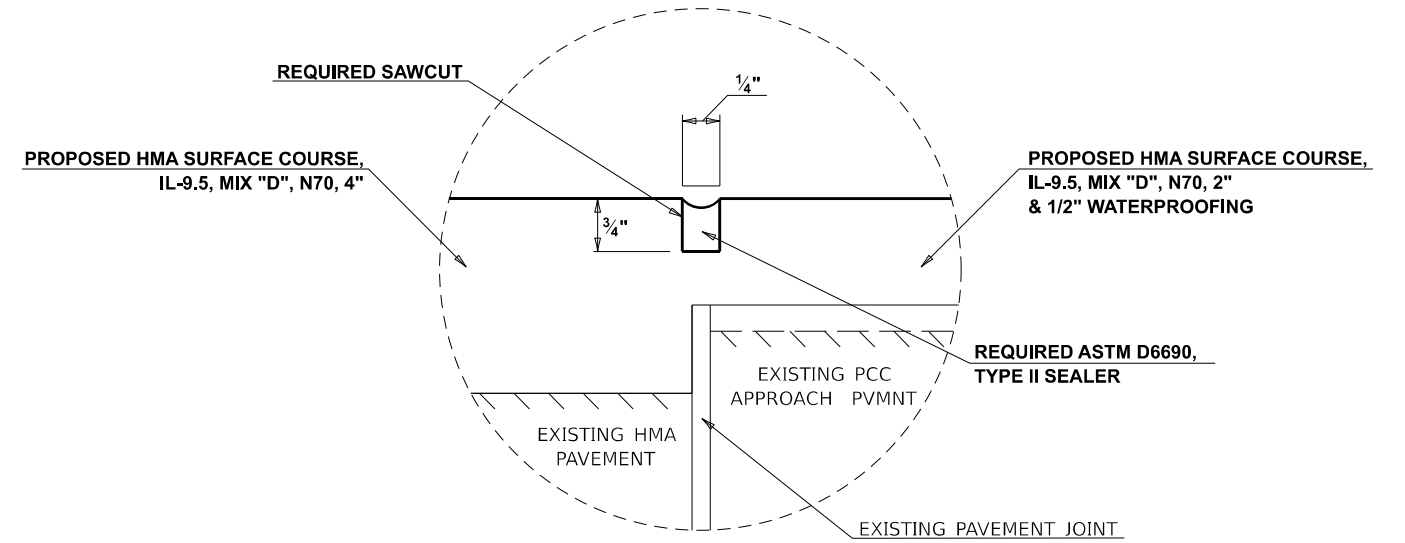
F.A.S. RTE.	SECTION	COUNTY	TOTAL SHEETS	SHEET NO.
1909	D9 BRIDGE OVERLAY 2023-3	UNION	10	8
ILLINOIS FED. AID PROJECT			CONTRACT NO. 78921	



APPROCH PATCHING

East Bound			
Number	Length (ft)	Width (ft)	Area (Sq. Yd.)
1	3.6	2.3	0.9
2	12.0	1.0	1.3
East Bound Total			2.3

DETAIL OF SAWCUT AND JOINT SEALER



PROP. SAWCUT AND JOINT SEALER DETAIL AT SN 044-0005

NOTES

1. THIS WORK SHALL BE INCLUDED IN THE COST OF HOT-MIX ASPHALT SURFACE COURSE, MIX D, N70, 1 1/2" AND INCLUDES ALL MATERIALS, MACHINERY, METHODS, AND LABOR REQUIRED TO PERFORM THIS WORK.
2. SAW CUTTING SHALL BE CENTERED OVER THE EXISTING PCC TRANSVERSE JOINT.
3. THE HOT-POURED JOINT SEALER SHALL BE PLACED ACCORDING TO ARTICLE 420.12 AND SHALL BE SUPPLIED ACCORDING TO ASTM D 6690, TYPE II AND ARTICLE 1050.02.

BILL OF MATERIAL

ITEM	UNIT	QUANTITY
Approach Slab Repair (Partial Depth)	Sq. Yd.	2.3

MODEL: 4409ELMAMES
FILE NAME: SEELEP

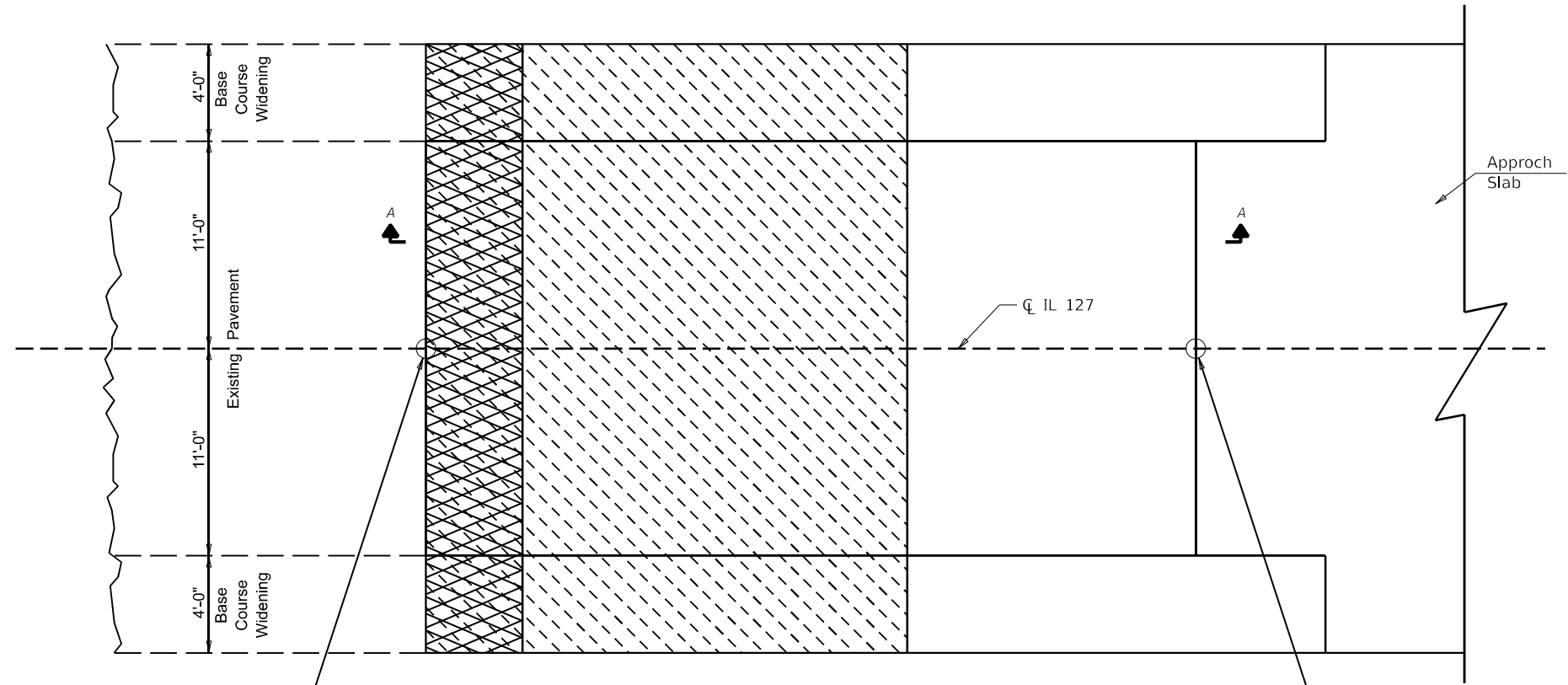
USER NAME = \$USERS\$	DESIGNED - _____	REVISED - _____
PLOT SCALE = \$SCALE\$	DRAWN - _____	REVISED - _____
PLOT DATE = \$DATES\$	CHECKED - _____	REVISED - _____
	DATE - _____	REVISED - _____

**STATE OF ILLINOIS
DEPARTMENT OF TRANSPORTATION**

APPROCH PATCHING
SN 091-0068
SCALE: _____ SHEET _____ OF _____ SHEETS STA. _____ TO STA. _____

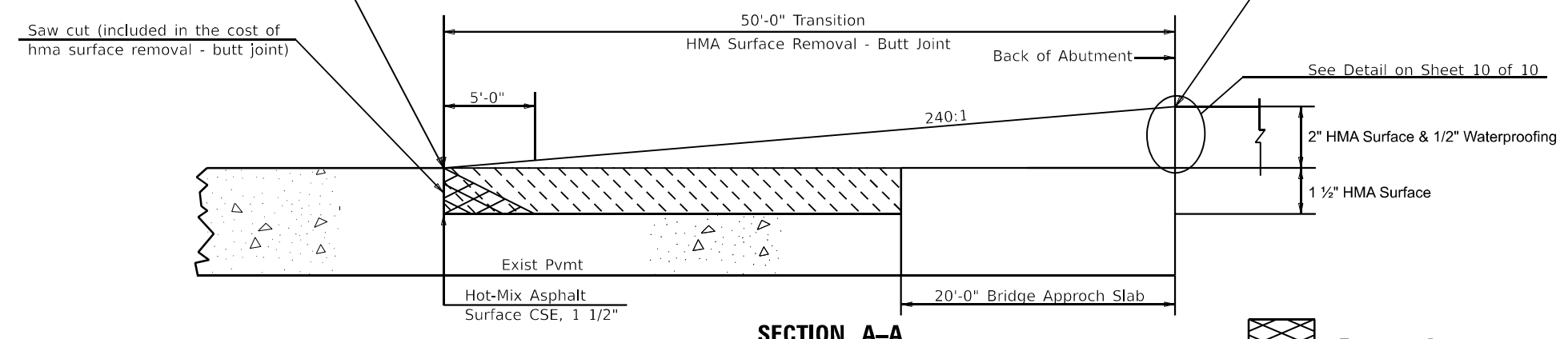
F.A.S. RTE.	SECTION	COUNTY	TOTAL SHEETS	SHEET NO.
1909	D9 BRIDGE OVERLAY 2023-3	UNION	10	9
CONTRACT NO. 78921			ILLINOIS FED. AID PROJECT	

BUTT JOINT



STA 538+48.67
STA 540+43.33

STA 538+98.67
STA 539+93.33



SECTION A-A

Temporary Ramp

Milling
* Additional milling included in the quantity of hot mix asphalt surface removal - butt joint.

MODEL: Detail 11 (Sheet)
FILE NAME: P:\GIS\Projects\DOT\Office\District 9\BDD\Projects\78921\CAD\data\CAD\Sheets\09xxxx-SHD-Typical.dgn

USER NAME = Derek.Snyder	DESIGNED - _____	REVISED - _____
DRAWN - _____	REVISIONS - _____	
PLOT SCALE = 0.16666633' / in.	CHECKED - _____	REVISED - _____
PLOT DATE = 1/18/2023	DATE - _____	REVISED - _____

**STATE OF ILLINOIS
DEPARTMENT OF TRANSPORTATION**

**BUTT JOINT DETAIL
SN 091-0068**

SCALE: _____ SHEET _____ OF _____ SHEETS STA. _____ TO STA. _____

F.A.P. RTE.	SECTION	COUNTY	TOTAL SHEETS	SHEET NO.
1909	D9 BRIDGE OVERLAY 2023-3	UNION	10	10
CONTRACT NO. CNT. NO.				
ILLINOIS FED. AID PROJECT				