

STATE OF ILLINOIS  
DEPARTMENT OF TRANSPORTATION  
**PROPOSED  
HIGHWAY PLANS**

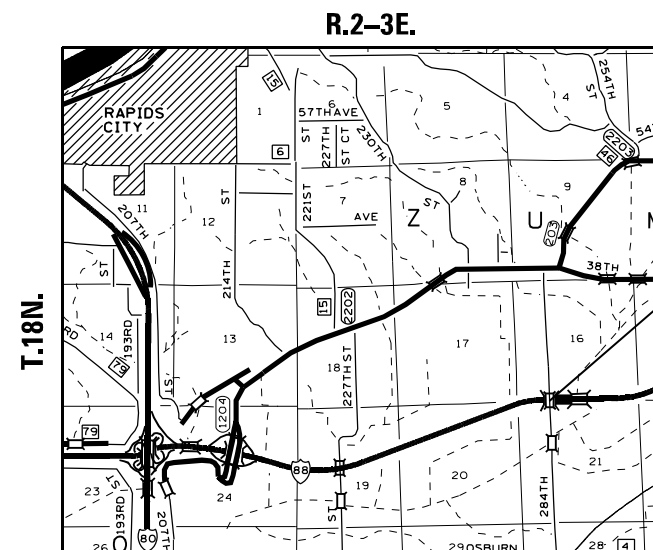
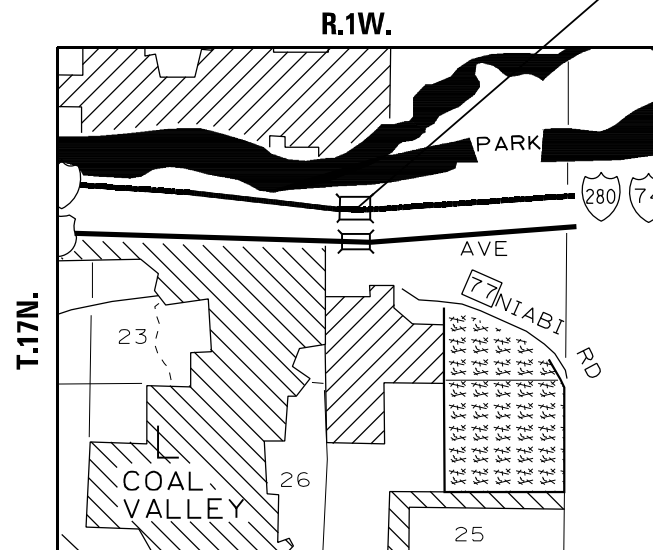
FOR INDEX OF SHEETS, SEE SHEET NO. 2  
FOR STATE STANDARDS, SEE SHEET NO. 2

FAI ROUTE 88 (I-88) & FAI 280/74 (I-280/74)  
**SECTION: (161-1HB-1)BP & (81-3B-1)BP**  
**PROJECT: NHPP-HKWA(388)**  
**TYPE of IMPROVEMENT: BRIDGE PAINTING**  
**ROCK ISLAND COUNTY**

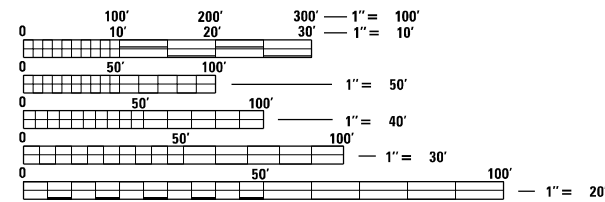
**LOCATION 1**  
SN 081-0007  
**LOCATION 2**  
SN 081-0008

C-92-009-23

ROCK ISLAND COUNTY  
BLACKHAWK TOWNSHIP – SECTION 24  
CANOE CREEK TOWNSHIP – SECTION'S 20 & 21



**LOCATION 3**  
SN 081-0121



FULL SIZE PLANS HAVE BEEN PREPARED USING STANDARD ENGINEERING SCALES. REDUCED SIZED PLANS WILL NOT CONFORM TO STANDARD SCALES. IN MAKING MEASUREMENTS ON REDUCED PLANS, THE ABOVE SCALES MAY BE USED.

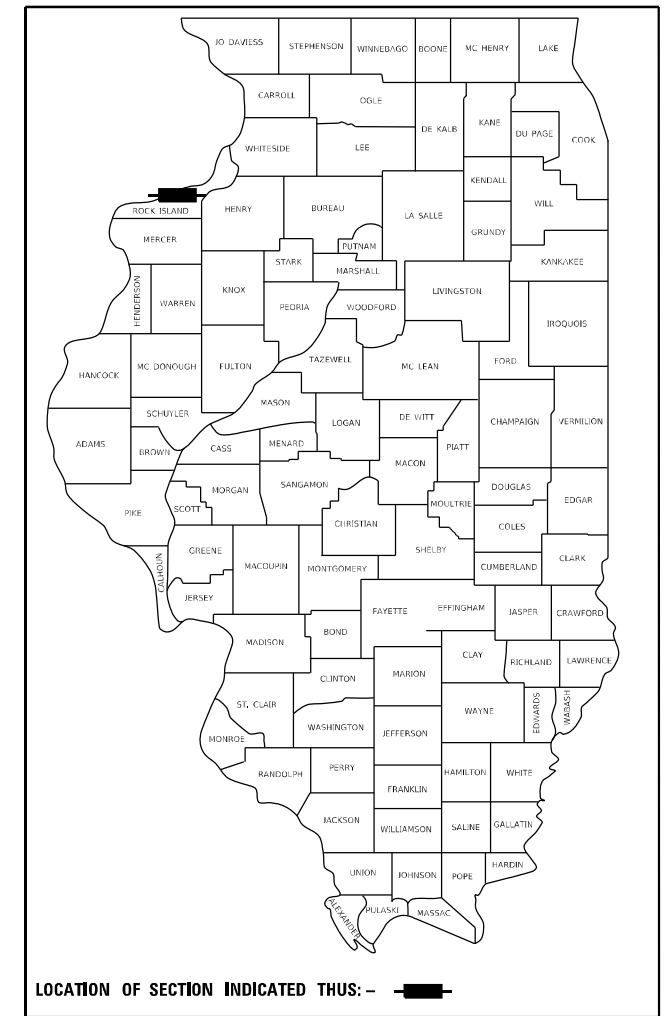
J.U.L.I.E.  
JOINT UTILITY LOCATION INFORMATION FOR EXCAVATION  
1-800-892-0123  
OR 811

PROJECT ENGINEER: DAVID DOSS (815) 284-5416  
PROJECT MANAGER: MAHMOUD ETEMADI (815) 284-5393

CONTRACT NO. 64S13

F.A.I. RTE.	SECTION	COUNTY	TOTAL SHEETS	SHEET NO.
88 74/280	(161-1HB-1)BP & (81-3B-1)BP	ROCK ISLAND	11	1
		ILLINOIS	CONTRACT NO. 64S13	

D-92-045-23



STATE OF ILLINOIS  
DEPARTMENT OF TRANSPORTATION  
SUBMITTED December 06, 20 22  
*[Signature]*  
REGIONAL ENGINEER  
March 24, 2023  
*[Signature]*  
ENGINEER OF DESIGN AND ENVIRONMENT  
March 24, 2023  
*[Signature]*  
DIRECTOR OF HIGHWAYS PROJECT IMPLEMENTATION

**PRINTED BY THE AUTHORITY  
OF THE STATE OF ILLINOIS**

# INDEX OF SHEETS

1	COVER SHEET
2	INDEX OF SHEETS / STATE STANDARDS / GENERAL NOTES
3	SUMMARY OF QUANTITIES
4	EXISTING ROADWAY TYPICAL SN 081-0007 & 081-0008 CARRYING I-74/280 OVER SHAFFER CREEK
5	STAGING TYPICALS SN 081-0007 & 081-0008 CARRYING I-74/280 OVER SHAFFER CREEK
6	TRAFFIC CONTROL & PROTECTION, STANDARD 701400 (SPECIAL) FOR SN 081-0007 & 081-0008
7	TRAFFIC CONTROL & PROTECTION, STANDARD 701402 (SPECIAL) FOR SN 081-0007 & 081-0008
8	EXISTING ROADWAY TYPICAL SN 081-0121 CARRYING 248TH ST OVER I-88
9	STAGING TYPICALS SN 081-0121 CARRYING 248TH ST OVER I-88
10	TRAFFIC CONTROL & PROTECTION, STANDARD 701400 (SPECIAL) FOR SN 081-0121
11	TRAFFIC CONTROL & PROTECTION, STANDARD 701402 (SPECIAL) FOR SN 081-0121

# STATE STANDARDS

701101-05	OFF-ROAD OPERATIONS, MULTILANE, 15' (4.5m) TO 24" (600mm) FROM PAVEMENT EDGE
701301-04	LANE CLOSURE, 2L, 2W, SHORT TIME OPERATIONS
701401-13	LANE CLOSURE, FREEWAY/EXPRESSWAY
701426-09	LANE CLOSURE, MULTILANE, INTERMITTENT OR MOVING OPERATIONS, FOR SPEEDS $\geq$ 45 MPH
701901-08	TRAFFIC CONTROL DEVICES
704001-08	TEMPORARY CONCRETE BARRIER
720011-01	METAL POSTS FOR SIGNS, MARKERS & DELINEATORS
728001-01	TELESCOPING STEEL SIGN SUPPORT
729001-01	APPLICATIONS OF TYPES A & B METAL POSTS (FOR SIGNS & MARKERS)

# GENERAL NOTES

## LOCATION 1 - SN 081-0007

THE CONTRACTOR SHALL SEED ALL DISTURBED AREAS WITHIN THE PROJECT LIMITS. SEEDING CLASS 2A SHALL BE USED. THIS WORK WILL BE INCLUDED IN THE CONTRACT UNIT PRICE PER LUMP SUM FOR CLEANING AND PAINTING STEEL BRIDGE NO. 1.

FERTILIZER SHALL BE APPLIED TO ALL DISTURBED AREAS AND INCORPORATED INTO THE SEEDBED PRIOR TO SEEDING OR PLACEMENT OF SOD AT THE RATE SPECIFIED IN SECTIONS 250 AND 252 OF THE STANDARD SPECIFICATIONS. THIS WORK SHALL BE INCLUDED IN THE COST OF CLEANING AND PAINTING STEEL BRIDGE NO. 1.

MULCH METHOD II SHALL BE APPLIED OVER ALL SEEDED AREAS. THIS SHALL BE INCLUDED IN THE COST OF THE CLEANING AND PAINTING STEEL BRIDGE NO. 1.

## LOCATION 2 - SN 081-0008

THE CONTRACTOR SHALL SEED ALL DISTURBED AREAS WITHIN THE PROJECT LIMITS. SEEDING CLASS 2A SHALL BE USED. THIS WORK WILL BE INCLUDED IN THE CONTRACT UNIT PRICE PER LUMP SUM FOR CLEANING AND PAINTING STEEL BRIDGE NO. 2.

FERTILIZER SHALL BE APPLIED TO ALL DISTURBED AREAS AND INCORPORATED INTO THE SEEDBED PRIOR TO SEEDING OR PLACEMENT OF SOD AT THE RATE SPECIFIED IN SECTIONS 250 AND 252 OF THE STANDARD SPECIFICATIONS. THIS WORK SHALL BE INCLUDED IN THE COST OF CLEANING AND PAINTING STEEL BRIDGE NO. 2.

MULCH METHOD II SHALL BE APPLIED OVER ALL SEEDED AREAS. THIS SHALL BE INCLUDED IN THE COST OF THE CLEANING AND PAINTING STEEL BRIDGE NO. 2.

## LOCATION 3 - SN 081-0121

THE CONTRACTOR SHALL SEED ALL DISTURBED AREAS WITHIN THE PROJECT LIMITS. SEEDING CLASS 2A SHALL BE USED. THIS WORK WILL BE INCLUDED IN THE CONTRACT UNIT PRICE PER LUMP SUM FOR CLEANING AND PAINTING STEEL BRIDGE NO. 3.

FERTILIZER SHALL BE APPLIED TO ALL DISTURBED AREAS AND INCORPORATED INTO THE SEEDBED PRIOR TO SEEDING OR PLACEMENT OF SOD AT THE RATE SPECIFIED IN SECTIONS 250 AND 252 OF THE STANDARD SPECIFICATIONS. THIS WORK SHALL BE INCLUDED IN THE COST OF CLEANING AND PAINTING STEEL BRIDGE NO. 3.

MULCH METHOD II SHALL BE APPLIED OVER ALL SEEDED AREAS. THIS SHALL BE INCLUDED IN THE COST OF THE CLEANING AND PAINTING STEEL BRIDGE NO. 3.

## LOCATIONS 1, 2 and 3 - SN's 081-0007, 081-0008 AND 081-0121.

ALL BORROW/WASTE/USE SITES MUST BE APPROVED BY THE DEPARTMENT PRIOR TO REMOVING ANY MATERIAL FROM THE PROJECT OR INITIATING ANY EARTHMOVING ACTIVITIES, INCLUDING TEMPORARY STOCKPILING OUTSIDE THE LIMITS OF CONSTRUCTION.

TEMPORARY IMPACT ATTENUATORS WILL BE MEASURED AS EACH FOR EACH ATTENUATOR SUPPLIED ON THE JOB AS SPECIFIED IN THE PLANS, AND SHALL INCLUDE THE COST OF RENTING/OWNING THE ATTENUATOR FOR THE TIME REQUIRED ON THE JOB PLUS HAULING TO AND FROM THE PROJECT SITE, AS WELL AS ONE PLACEMENT AND REMOVAL FROM THE ROADWAY. THIS SHALL BE PAID FOR AT THE CONTRACT UNIT PRICE PER EACH FOR IMPACT ATTENUATORS, TEMPORARY OF THE TYPE SPECIFIED.

RELOCATE TEMPORARY IMPACT ATTENUATOR WILL BE PAID FOR AS EACH AND WILL BE PAID FOR EACH TIME THE ATTENUATOR IS REQUIRED BY STAGING TO BE PICKED UP AND MOVED TO A DIFFERENT LOCATION ON THE PROJECT, WHETHER IT IS TO ANOTHER LOCATION ON THE ROADWAY OR TO A STORAGE/STAGING LOCATION FOR THE PROJECT. THIS SHALL BE PAID FOR AT THE CONTRACT UNIT PRICE PER EACH FOR IMPACT ATTENUATORS, RELOCATE OF THE TYPE SPECIFIED.

THIS WORK SHALL BE DONE IN ACCORDANCE WITH SECTION 704 OF THE STANDARD SPECIFICATIONS. TEMPORARY CONCRETE BARRIER WILL BE MEASURED IN FEET ALONG THE CENTERLINE OF THE BARRIER AND SHALL INCLUDE THE COST OF RENTING/OWNING THE BARRIER FOR THE TIME REQUIRED ON THE JOB PLUS HAULING TO AND FROM THE PROJECT SITE, AS WELL AS ONE PLACEMENT AND REMOVAL FROM THE ROADWAY IN ACCORDANCE WITH SECTION 704 OF THE STANDARD AND SPECIFICATION. THIS SHALL BE PAID FOR AT THE CONTRACT UNIT PRICE PER FOOT FOR TEMPORARY CONCRETE BARRIER.

RELOCATE TEMPORARY CONCRETE BARRIER WILL BE PAID FOR IN FEET ALONG THE CENTERLINE OF THE BARRIER, AND WILL BE PAID FOR EACH TIME THE BARRIER IS REQUIRED BY STAGING TO BE PICKED UP AND MOVED TO A DIFFERENT LOCATION ON THE PROJECT, WHETHER IT IS TO ANOTHER LOCATION ON THE ROADWAY OR TO A STORAGE/STAGING LOCATION FOR THE PROJECT. THIS SHALL BE PAID FOR AT THE CONTRACT UNIT PRICE PER FOOT FOR RELOCATE TEMPORARY CONCRETE BARRIER.

THE CONTRACTOR SHALL BE RESPONSIBLE FOR PROTECTING UTILITY PROPERTY DURING CONSTRUCTION OPERATIONS AS OUTLINED IN ARTICLE 107.31 OF THE STANDARD SPECIFICATIONS. A MINIMUM OF 48 HOURS ADVANCE NOTICE IS REQUIRED FOR NON-EMERGENCY WORK. THE JULIE NUMBER IS 800-892-0123.

THE SSPC QP1 & QP2 CONTRACT CERTIFICATIONS WILL BE REQUIRED FOR THIS CONTRACT.

MODEL: Default  
FILE: \\naulic-pw-bentley.com\FW\DOT\Documents\DOT Office\Dir\dir\_2\Project\Operations\Bridges - Section\Bridg - Tab\081-0007 & 081-0008&64513\CADD\64513-int-cover.dgn

USER NAME = David.Doss	DESIGNED - _____	REVISED - _____	<b>STATE OF ILLINOIS DEPARTMENT OF TRANSPORTATION</b>	<b>INDEX OF SHEETS, STATE STANDARDS &amp; GENERAL NOTES</b>	F.A.I. RTE. 88 74/280	SECTION (161-1HB-1)BP & (81-3B-1)BP	COUNTY ROCK ISLAND	TOTAL SHEETS 11	SHEET NO. 2		
PLOT SCALE = 40,0000 * / in.	CHECKED - _____	REVISED - _____			SCALE: _____	SHEET _____ OF _____ SHEETS	STA. _____ TO STA. _____	CONTRACT NO. 64513			
PLOT DATE = Mar-28-2023 02:52:28 PM	DATE - _____	REVISED - _____			ILLINOIS FED. AID PROJECT						

# SUMMARY OF QUANTITIES

90% FED  
10% STATE

CODE NUMBER	ITEM	UNIT	0047 ROCK ISLAND COUNTY SN's 081-0007 & 081-0008	0047 ROCK ISLAND COUNTY SN 081-0121	TOTAL QUANTITY
67100100	MOBILIZATION	L SUM	0.50	0.50	1
70100800	TRAFFIC CONTROL AND PROTECTION, STANDARD 701401	L SUM	0.50	0.50	1
70400100	TEMPORARY CONCRETE BARRIER	FOOT	775	775	1550
70400200	RELOCATE TEMPORARY CONCRETE BARRIER	FOOT	275	1550	1825
70600250	IMPACT ATTENUATORS, TEMPORARY (NON-REDIRECTIVE), TEST LEVEL 3	EACH	2	2	4
70600350	IMPACT ATTENUATORS, RELOCATE (NON-REDIRECTIVE), TEST LEVEL 3	EACH	2	2	4
X5067501	BRIDGE CLEANING AND PAINTING WARRANTY NUMBER 1	L SUM	1	-	1
X5067502	BRIDGE CLEANING AND PAINTING WARRANTY NUMBER 2	L SUM	1	-	1
X5067503	BRIDGE CLEANING AND PAINTING WARRANTY NUMBER 3	L SUM	-	1	1
X7010208	TRAFFIC CONTROL AND PROTECTION, STANDARD 701402 (SPECIAL)	EACH	2	1	3
Z0007101	CONTAINMENT AND DISPOSAL OF LEAD PAINT CLEANING RESIDUES NO. 1	L SUM	1	-	1
Z0007102	CONTAINMENT AND DISPOSAL OF LEAD PAINT CLEANING RESIDUES NO. 2	L SUM	1	-	1
Z0007103	CONTAINMENT AND DISPOSAL OF LEAD PAINT CLEANING RESIDUES NO. 3	L SUM	-	1	1
Z0010501	CLEANING AND PAINTING STEEL BRIDGE NO. 1	L SUM	1	-	1
Z0010502	CLEANING AND PAINTING STEEL BRIDGE NO. 2	L SUM	1	-	1
Z0010503	CLEANING AND PAINTING STEEL BRIDGE NO. 3	L SUM	-	1	1

MODEL: Default  
FILE: \\naufic-pw-backend.com\PW\DOT\Documents\DOT Office\Dir\dir\_2\Project\Operations\Bridge\_Section\Bock.tbl\081-0007 & 081-0008\64513-CADD\64513-ent-cover.dgn

USER NAME = David.Doss	DESIGNED - _____	REVISED - _____
	DRAWN - _____	REVISED - _____
PLOT SCALE = 40,0000 * / in.	CHECKED - _____	REVISED - _____
PLOT DATE = Oct-19-2022 06:50:34 AM	DATE - _____	REVISED - _____

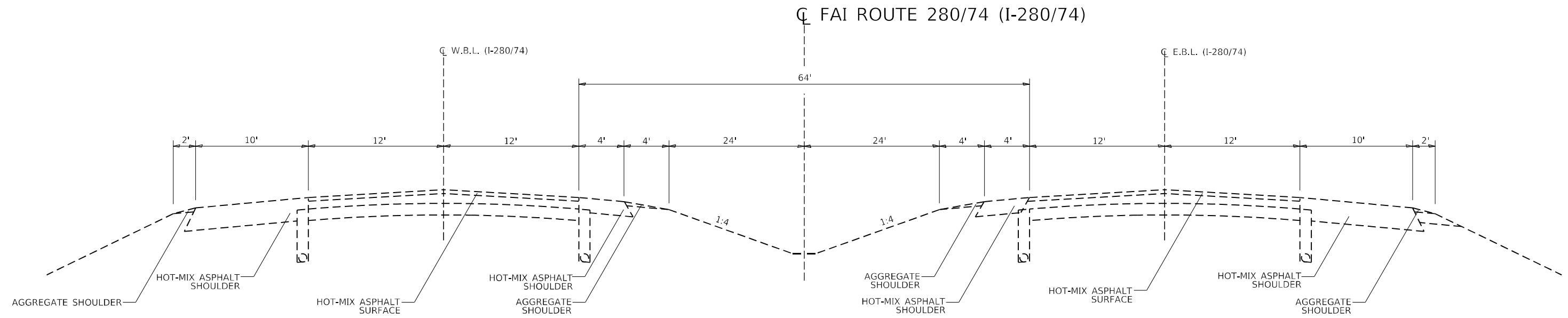
**STATE OF ILLINOIS  
DEPARTMENT OF TRANSPORTATION**

**SUMMARY OF QUANTITIES**

SCALE: \_\_\_\_\_ SHEET \_\_\_\_ OF \_\_\_\_ SHEETS STA. \_\_\_\_\_ TO STA. \_\_\_\_\_

F.A.I. RTE. 88 74/280	SECTION (161-1HB-1)BP & (81-3B-1)BP	COUNTY ROCK ISLAND	TOTAL SHEETS 11	SHEET NO. 3
CONTRACT NO. 64513				
ILLINOIS FED. AID PROJECT				

# EXISTING TYPICAL



MODEL: Default  
 FILE: \\naulc-pw-bentley.com\PW\DOT\Documents\DOT Office\Dir\Dir: 2\Project\Operations\Bridg - Section\Boc - I-280\64513-int-cover.dgn

USER NAME = David.Doss	DESIGNED - _____	REVISED - _____
DRAWN - _____	REVISOR - _____	REVISOR - _____
PLOT SCALE = 40,0000 * / in.	CHECKED - _____	REVISOR - _____
PLOT DATE = Oct-19-2022 06:50:43 AM	DATE - _____	REVISOR - _____

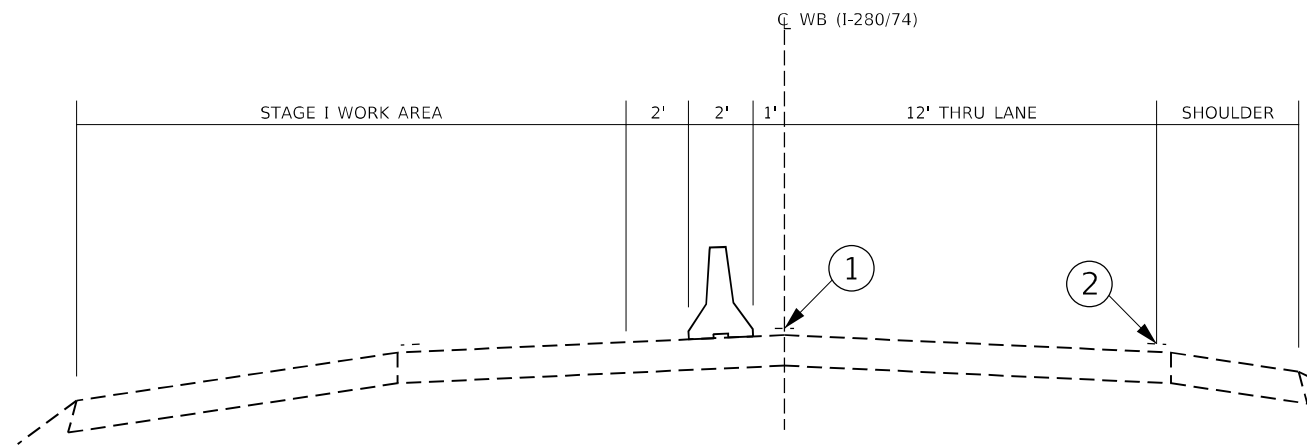
**STATE OF ILLINOIS**  
**DEPARTMENT OF TRANSPORTATION**

<b>EXISTING TYPICAL</b> <b>I-280/74</b>	
SCALE: _____	SHEET ____ OF ____ SHEETS STA. _____ TO STA. _____

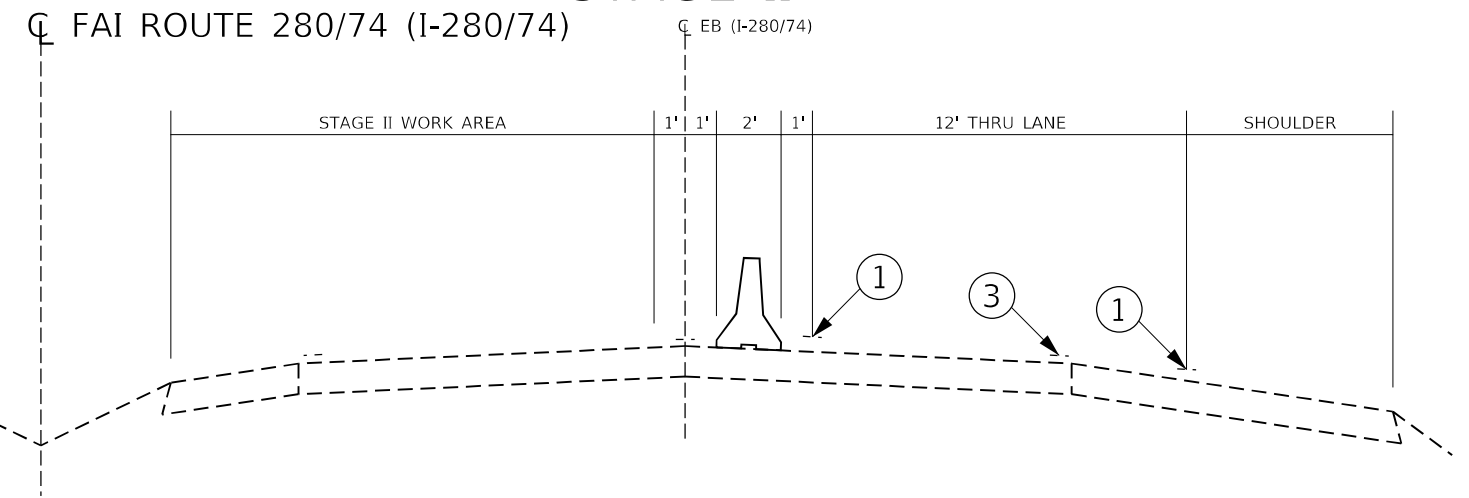
F.A.I. RTE. 88 74/280	SECTION (161-1HB-1)BP & (81-3B-1)BP	COUNTY ROCK ISLAND	TOTAL SHEETS 11	SHEET NO. 4
CONTRACT NO. 64513				
ILLINOIS FED. AID PROJECT				

# STAGING TYPICALS

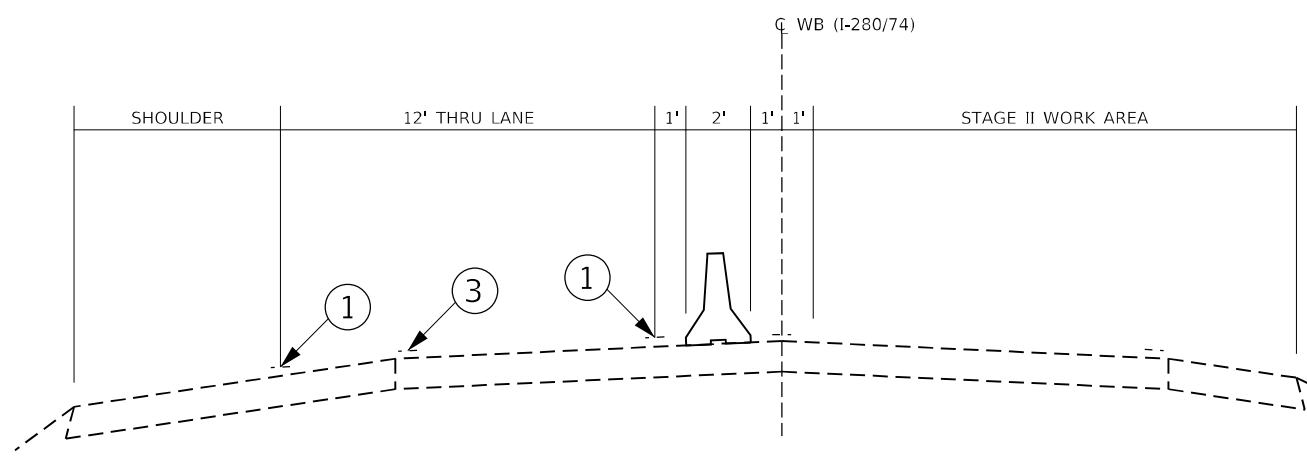
## STAGE I



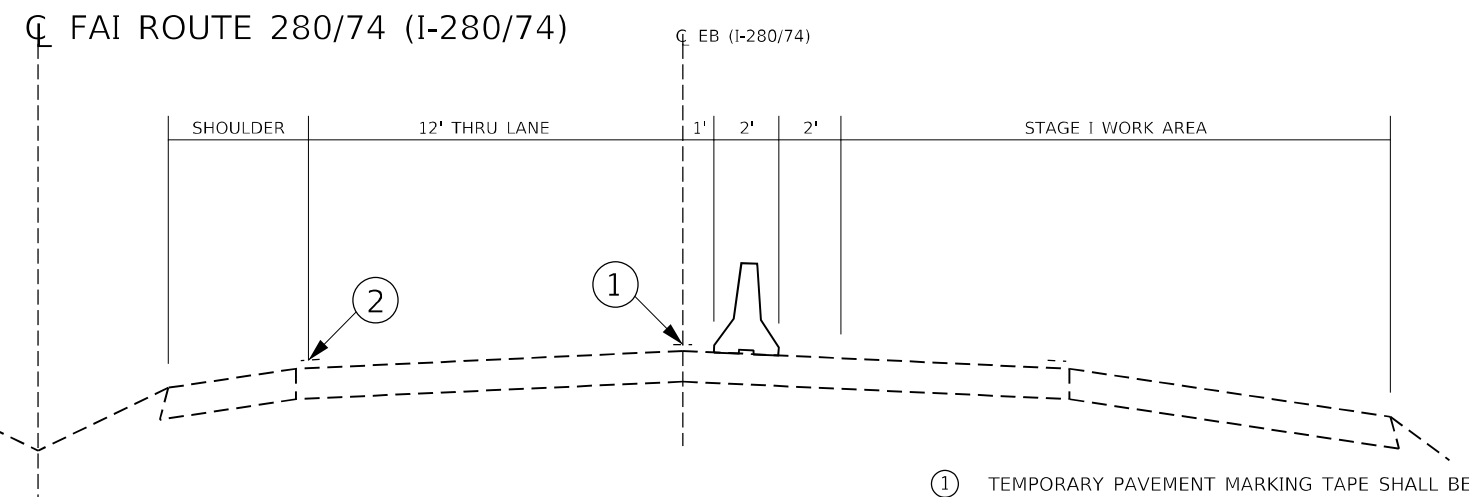
## STAGE II



## STAGE II



## STAGE I



- ① TEMPORARY PAVEMENT MARKING TAPE SHALL BE PLACED THROUGHOUT THE TAPER AND ALONG-SIDE THE WORK AREA. THE RIGHT EDGE LINE SHALL BE WHITE AND THE LEFT EDGE LINE SHALL BE YELLOW.
- ② EXISTING PAVEMENT MARKING LINE
- ③ BLACKOUT TAPE TO COVER CONFLICTING EXISTING PAVEMENT MARKING LINES

MODEL: Default  
 FILE: \\naafpc-pw-bentley.com\P\INDOT\Documents\DOT Office\Dir\Dir\_2\Project\Operations\Bridges - Section\Boc - I-280\081-0007 & 081-0008\64513-CADD\64513-int-cover.dgn

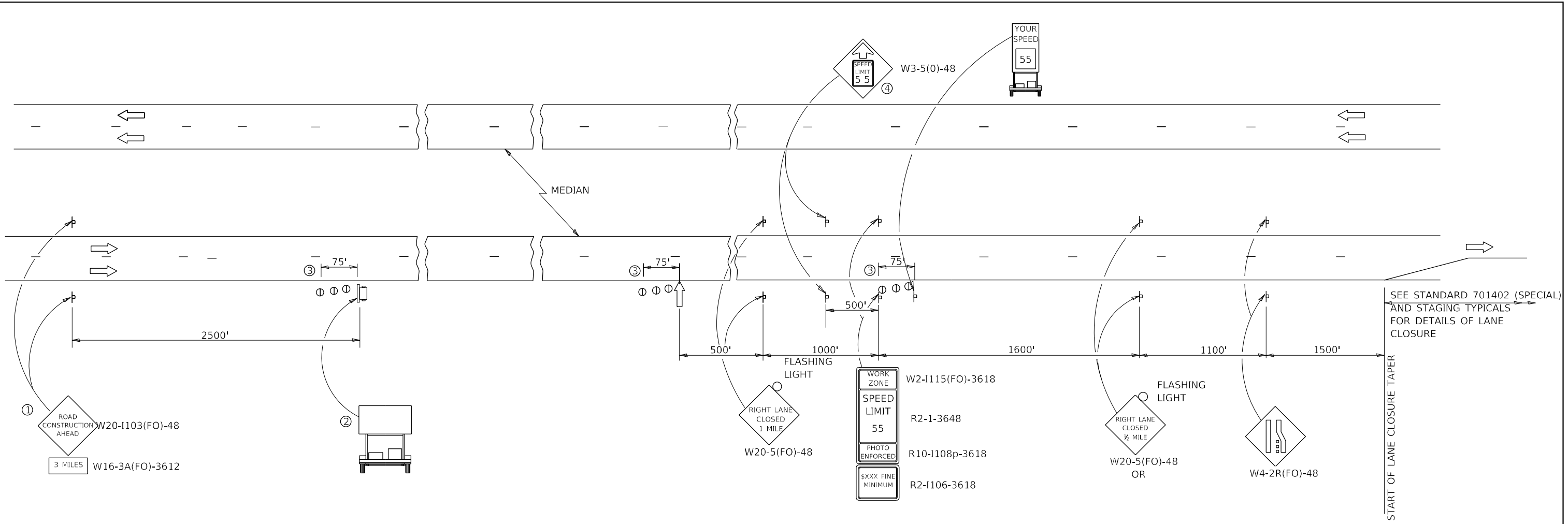
USER NAME = David.Doss	DESIGNED - _____	REVISED - _____
DRAWN - _____	REVISIONS - _____	REVISIONS - _____
PLOT SCALE = 40,0000 * / in.	CHECKED - _____	REVISIONS - _____
PLOT DATE = Oct-19-2022 06:50:52 AM	DATE - _____	REVISIONS - _____

**STATE OF ILLINOIS**  
**DEPARTMENT OF TRANSPORTATION**

**STAGING TYPICALS**  
**I-280/74**

SCALE: \_\_\_\_\_ SHEET \_\_\_\_\_ OF \_\_\_\_\_ SHEETS STA. \_\_\_\_\_ TO STA. \_\_\_\_\_

F.A.I. RTE.	SECTION	COUNTY	TOTAL SHEETS	SHEET NO.
88 74/280	(161-1HB-1)BP & (81-3B-1)BP	ROCK ISLAND	11	5
CONTRACT NO. 64513			ILLINOIS FED. AID PROJECT	



- ① THE ROAD CONSTRUCTION AHEAD SIGN SHALL BE LOCATED 3 MILES IN ADVANCE OF THE PROJECT LIMITS.
- ② TO BE PLACED IN THE MEDIAN WHEN FEASIBLE. THE MESSAGE BOARD SHALL BE USED TO DISPLAY STATUS OF LANES WITHIN THE PROJECT. THE PRIMARY MESSAGES SHALL BE:  
 "RIGHT LANE CLOSED" / " x MILES AHEAD"  
 "LEFT LANE CLOSED" / " x MILES AHEAD"  
 "ALL LANES OPEN"
- ③ THREE, TYPE II BARRICADES, DRUMS, OR VERTICAL BARRICADES AT 25' CENTERS.
- ④ THIS SIGN SHALL ONLY BE USED IF THE EXISTING SPEED LIMIT IS GREATER THAN 65 MPH.

- ↑ ARROW BOARD
- ☐ PORTABLE CHANGEABLE MESSAGE SIGN
- ⌋ SIGN
- ⊙ TYPE II BARRICADE, DRUM, OR VERTICAL BARRICADE WITH MONODIRECTIONAL FLASHING LIGHT
- 🚛 TRAILER MOUNTED SPEED DISPLAY SIGN

**GENERAL NOTE:**

THIS STANDARD IS USED WHERE AT ANY TIME A LANE IS CLOSED ON A FREEWAY/EXPRESSWAY.

WHEN THE LEFT LANE IS CLOSED, LEFT LANE CLOSED SIGNS SHALL BE SUBSTITUTED FOR THE RIGHT LANE CLOSED SIGNS.

THE FIRST TWO SIGNS AND THE MESSAGE BOARD ARE STATIONARY. THE OTHER SIGNS AND ARROWBOARDS SHALL BE MOVED AS NECESSARY TO MAINTAIN THE REQUIRED DISTANCE FROM THE START OF THE LANE CLOSURE TAPER(S).

MODEL: Default  
 FILE: \\nafile:pub\uldract-pw-bee\efw.com\PI\DOT\Documents\DOT\_Offices\Director\_2\Projects\Operations\Bridges\_Section\Bock\_fabr\081-0007 & 081-0008\64513-int-cover.dgn

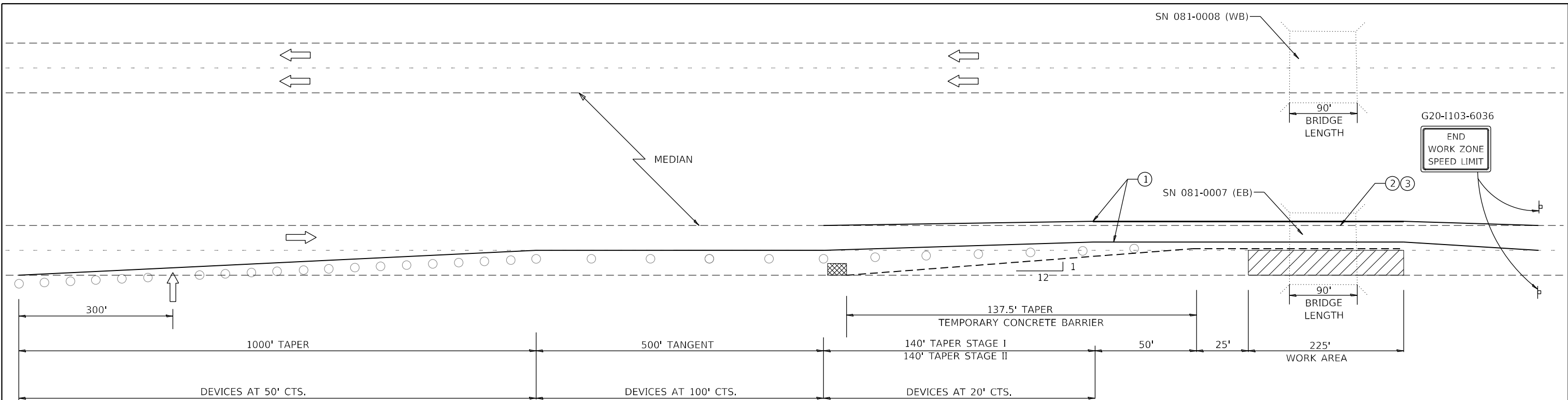
USER NAME = David.Doss	DESIGNED - _____	REVISED - _____
DRAWN - _____	CHECKED - _____	REVISED - _____
PLOT SCALE = 40,0000 * / in.	DATE - _____	REVISED - _____
PLOT DATE = Nov-29-2022 07:55:33 AM		

**STATE OF ILLINOIS  
DEPARTMENT OF TRANSPORTATION**

**TRAFFIC CONTROL & PROTECTION, STANDARD 701400 (SPECIAL)  
FOR SN 081-0007 & 081-0008 CARRYING I-280/74 OVER SHAFFER CREEK**

SCALE: \_\_\_\_\_ SHEET \_\_\_\_\_ OF \_\_\_\_\_ SHEETS STA. \_\_\_\_\_ TO STA. \_\_\_\_\_

F.A.I. RTE. 88 74/280	SECTION (161-1HB-1)BP & (81-3B-1)BP	COUNTY ROCK ISLAND	TOTAL SHEETS 11	SHEET NO. 6
ILLINOIS FED. AID PROJECT			CONTRACT NO. 64513	

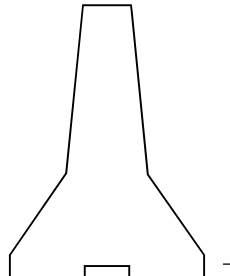


### PAVEMENT MARKINGS

ALL TEMPORARY PAVEMENT MARKING SHALL BE, PAVEMENT MARKING TAPE, TYPE IV 4" AND THE MATERIALS SHALL BE ACCORDING TO ARTICLE 1095.06 OF THE STANDARD AND SPECIFICATIONS. THE CONTRACTOR SHALL INSTALL, MAINTAIN AND REMOVE ALL TEMPORARY PAVEMENT MARKING TAPE. THIS WORK SHALL NOT BE PAID SEPERATELY AND SHALL BE INCLUDED IN THE COST OF THE "TRAFFIC CONTROL AND PROTECTION STANDARD 701402 (SPECIAL)".

ALL CONFLICTING PAVEMENT MARKINGS AND RAISED REFLECTIVE PAVEMENT MARKERS SHALL BE PROTECTED PRIOR TO COVERING WITH PAVEMENT MARKING BLACKOUT TAPE, 4". PAVEMENT MARKING BLACKOUT TAPE, 4" SHALL EXTEND A MINIMUM OF 2 INCHES BEYOND THE EXISTING MARKINGS OR REFLECTORS IN ALL DIRECTIONS. THIS WORK SHALL INCLUDE PROTECTING EXISTING PAVEMENT MARKINGS AND RAISED REFLECTIVE PAVEMENT MARKERS, INSTALLING, MAINTAINING AND REMOVING BLACKOUT TAPE. THIS WORK SHALL NOT BE PAID SEPERATELY AND SHALL BE INCLUDED IN THE COST OF THE "TRAFFIC CONTROL AND PROTECTION STANDARD 701402 (SPECIAL)".

\*NO EQUIPMENT OR MATERIALS SHALL ENCR OACH WITHIN A DISTANCE OF 2'-0" AS MEASURED FROM THE BASE OF THE TEMPORARY CONCRETE BARRIER TO THE Q OF ROADWAY



### TEMPORARY CONCRETE BARRIER

### SYMBOLS

- ARROW BOARD
- WORK AREA
- SIGN
- TRAFFIC CONTROL DRUM WITH STEADY BURN MONODIRECTIONAL LIGHT
- TEMPORARY CONCRETE BARRIER
- IMPACT ATTENUATOR, TEMPORARY (NON-REDIRECTIVE), TEST LEVEL 3

- ① TEMPORARY PAVEMENT MARKING TAPE SHALL BE PLACED THROUGHOUT THE TAPER AND ALONG-SIDE THE WORK AREA. THE RIGHT EDGE LINE SHALL BE WHITE AND THE LEFT EDGE LINE SHALL BE YELLOW.
- ② EXISTING PAVEMENT MARKING LINE
- ③ BLACKOUT TAPE TO COVER CONFLICTING EXISTING PAVEMENT MARKING LINES

### GENERAL NOTES

THIS STANDARD IS USED WHERE AT ANY TIME ANY VEHICLE, EQUIPMENT, WORKERS OR THEIR ACTIVITIES WILL ENCR OACH ON THE PAVEMENT OR ON THE SHOULDER WITHIN 24 (600) OF THE EDGE OF PAVEMENT FOR DAYLIGHT OPERATION EXCEEDING ONE DAY AND WHERE TEMPORARY CONCRETE BARRIER IS UTILIZED.

THIS STANDARD MUST ALWAYS BE USED IN COMBINATION WITH STANDARD 701400.

TEMPORARY CONCRETE BARRIER SHALL BE ACCORDING TO STANDARD 704001.

SEE STANDARD 701400 (SPECIAL) FOR APPROACH START OF LANE CLOSURE TAPER

ANCHORED ACCORDING TO ARTICLE 704.04

① 4" PAVEMENT MARKING TAPE

MODEL: Default FILE NAME: p:\p\stdet-pw-behdfy.com\p\INDOT\Documents\DOT Office\Director\_2\Project\Operations\Bridg Section\Boc\_16\081-0008\64513-CAD\064513-ent-cover.dgn

USER NAME = David.Doss	DESIGNED - _____	REVISED - _____
DRAWN - _____	REVISI ED - _____	
PLOT SCALE = 40,0000 */ in.	CHECKED - _____	REVISED - _____
PLOT DATE = Nov-29-2022 07:55:46 AM	DATE - _____	REVISED - _____

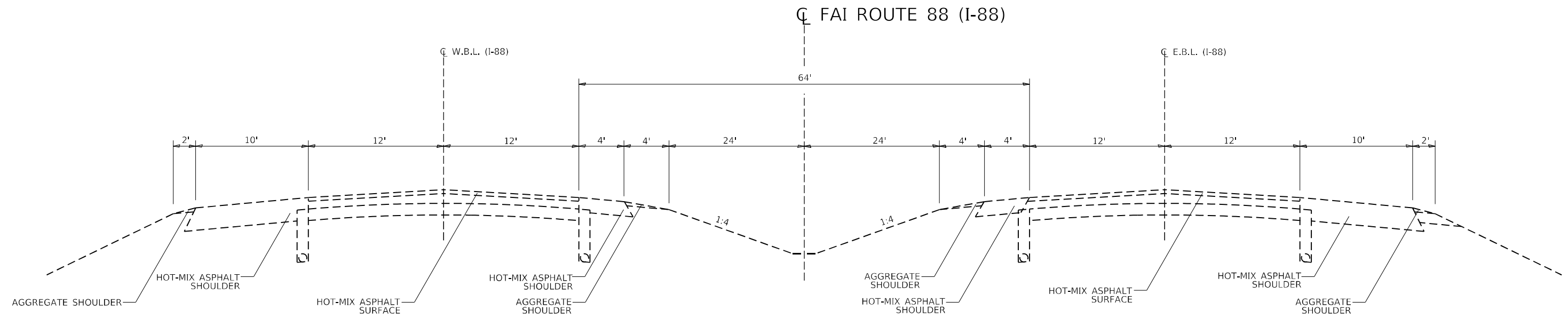
STATE OF ILLINOIS  
DEPARTMENT OF TRANSPORTATION

TRAFFIC CONTROL & PROTECTION, STANDARD 701402 (SPECIAL)  
FOR SN 081-0007 & 081-0008 CARRYING I-280/74 OVER SHAFFER CREEK

SCALE: \_\_\_\_\_ SHEET \_\_\_\_\_ OF \_\_\_\_\_ SHEETS STA. \_\_\_\_\_ TO STA. \_\_\_\_\_

F.A.I. RTE. 88	SECTION (161-1HB-1)BP & (81-3B-1)BP	COUNTY ROCK ISLAND	TOTAL SHEETS 11	SHEET NO. 7
74/280			CONTRACT NO. 64513	
ILLINOIS FED. AID PROJECT				

# EXISTING TYPICAL



MODEL: Default  
 FILE: \\nafile.pw.us\ultra-pw-beadley.com\P\I\DOT\Documents\DOT Offices\District 2\Project\Operations\Bridge\_Section\Rock\_Island\88\_I-88\_007 & 081\_008\64513\ent-cover.dgn

USER NAME = David.Doss	DESIGNED - _____	REVISED - _____
DRAWN - _____	REVISOR - _____	REVISOR - _____
PLOT SCALE = 40,0000 * / in.	CHECKED - _____	REVISOR - _____
PLOT DATE = Oct-19-2022 06:51:15 AM	DATE - _____	REVISOR - _____

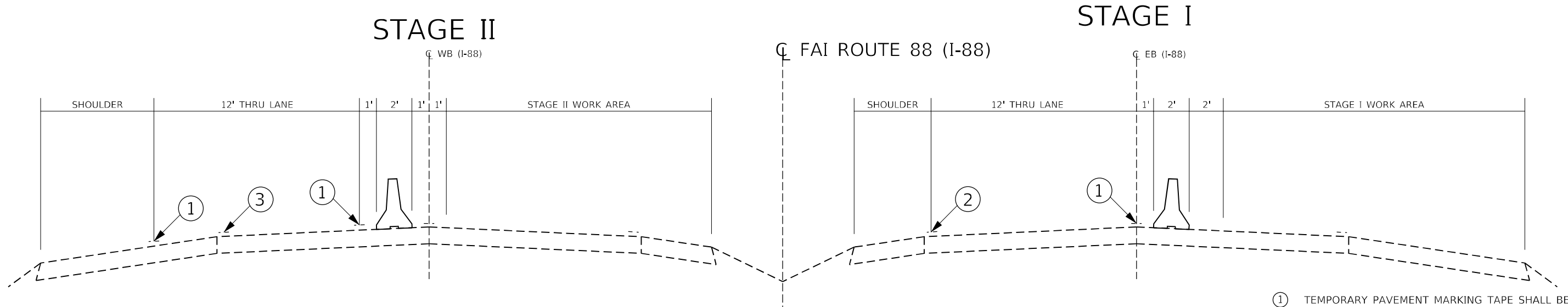
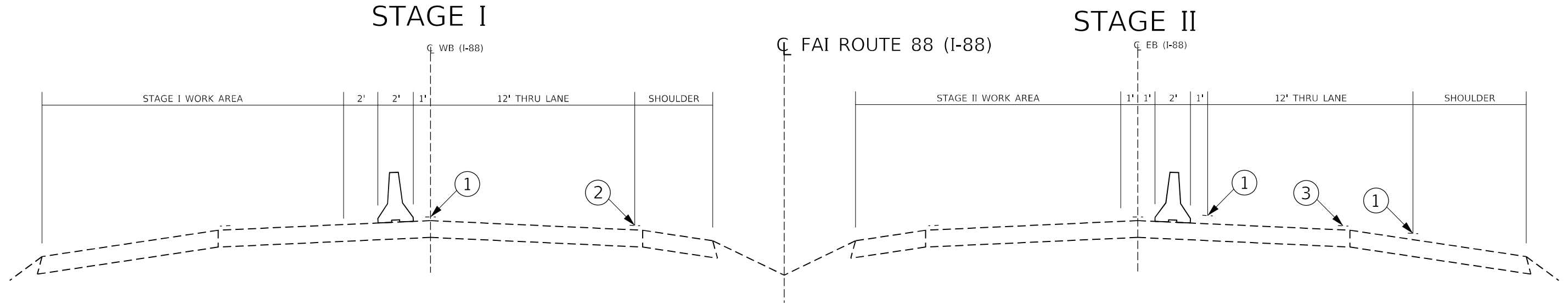
**STATE OF ILLINOIS**  
**DEPARTMENT OF TRANSPORTATION**

<b>EXISTING TYPICAL</b>			
<b>I-88</b>			
SCALE: _____	SHEET _____	OF _____ SHEETS	STA. _____ TO STA. _____

F.A.I. RTE. 88 74/280	SECTION (161-1HB-1)BP & (81-3B-1)BP	COUNTY ROCK ISLAND	TOTAL SHEETS 11	SHEET NO. 8
CONTRACT NO. 64513				
ILLINOIS FED. AID PROJECT				



# STAGING TYPICALS



- ① TEMPORARY PAVEMENT MARKING TAPE SHALL BE PLACED THROUGHOUT THE TAPER AND ALONG-SIDE THE WORK AREA. THE RIGHT EDGE LINE SHALL BE WHITE AND THE LEFT EDGE LINE SHALL BE YELLOW.
- ② EXISTING PAVEMENT MARKING LINE
- ③ BLACKOUT TAPE TO COVER CONFLICTING EXISTING PAVEMENT MARKING LINES

MODEL: Default  
FILE: \bld\paw\_bentley.com\PIV\DOT\Documents\DOT\_Offices\Director\_2\Projects\Operations\Bridges\_Section\Brock\_Halsted081-0007 & 081-0008\64513-CADD\64513-int-cover.dgn

USER NAME = David.Doss	DESIGNED - _____	REVISED - _____
	DRAWN - _____	REVISED - _____
PLOT SCALE = 40,0000' / in.	CHECKED - _____	REVISED - _____
PLOT DATE = Oct-19-2022 06:51:22 AM	DATE - _____	REVISED - _____

**STATE OF ILLINOIS  
DEPARTMENT OF TRANSPORTATION**

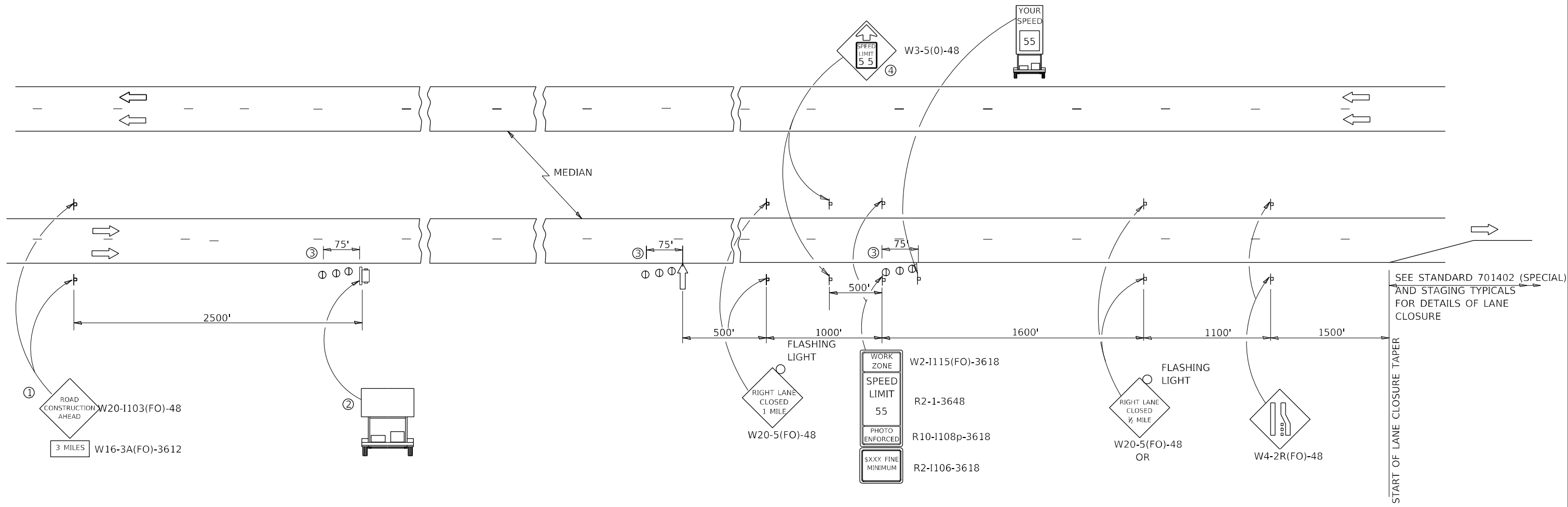
**STAGING TYPICALS  
I-88**

SCALE: \_\_\_\_\_ SHEET \_\_\_\_\_ OF \_\_\_\_\_ SHEETS STA. \_\_\_\_\_ TO STA. \_\_\_\_\_

F.A.I. RTE.	SECTION	COUNTY	TOTAL SHEETS	SHEET NO.
88 74/280	(161-1HB-1)BP & (81-3B-1)BP	ROCK ISLAND	11	9
CONTRACT NO. 64513				

ILLINOIS FED. AID PROJECT

MODEL: Default  
 FILE: \\nautilus.pwd.state.il.us\public\aw.bentley.com\PI\DOT\Documents\DOT Office\Director\_2\Project\Operations\Bridges - Section\Bock - Fabrad\081-0007 & 081-0008\64513-CADD\64513-ent-cover.dgn



- ① THE ROAD CONSTRUCTION AHEAD SIGN SHALL BE LOCATED 3 MILES IN ADVANCE OF THE PROJECT LIMITS.
- ② TO BE PLACED IN THE MEDIAN WHEN FEASIBLE. THE MESSAGE BOARD SHALL BE USED TO DISPLAY STATUS OF LANES WITHIN THE PROJECT. THE PRIMARY MESSAGES SHALL BE:  
 "RIGHT LANE CLOSED" / " x MILES AHEAD"  
 "LEFT LANE CLOSED" / " x MILES AHEAD"  
 "ALL LANES OPEN"
- ③ THREE, TYPE II BARRICADES, DRUMS, OR VERTICAL BARRICADES AT 25' CENTERS.
- ④ THIS SIGN SHALL ONLY BE USED IF THE EXISTING SPEED LIMIT IS GREATER THAN 65 MPH.

- ↑ ARROW BOARD
- ☐ PORTABLE CHANGEABLE MESSAGE SIGN
- ⌋ SIGN
- ⊙ TYPE II BARRICADE, DRUM, OR VERTICAL BARRICADE WITH MONODIRECTIONAL FLASHING LIGHT
- 🚛 TRAILER MOUNTED SPEED DISPLAY SIGN

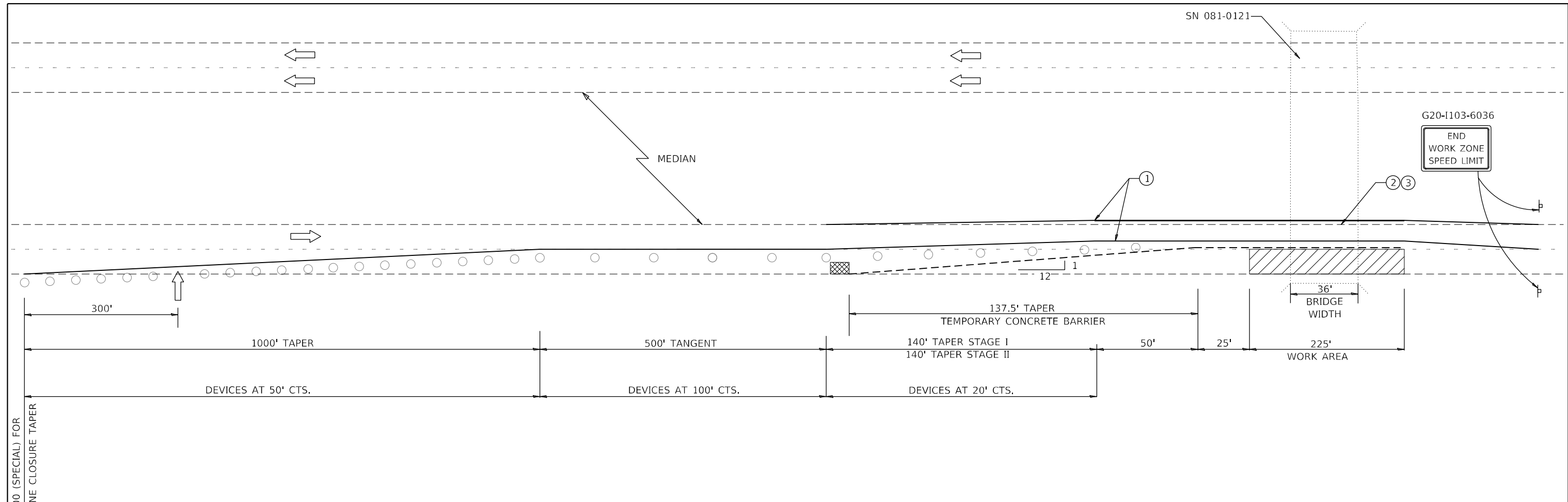
**GENERAL NOTE:**

THIS STANDARD IS USED WHERE AT ANY TIME A LANE IS CLOSED ON A FREEWAY/EXPRESSWAY.

WHEN THE LEFT LANE IS CLOSED, LEFT LANE CLOSED SIGNS SHALL BE SUBSTITUTED FOR THE RIGHT LANE CLOSED SIGNS.

THE FIRST TWO SIGNS AND THE MESSAGE BOARD ARE STATIONARY. THE OTHER SIGNS AND ARROWBOARDS SHALL BE MOVED AS NECESSARY TO MAINTAIN THE REQUIRED DISTANCE FROM THE START OF THE LANE CLOSURE TAPER(S).

	USER NAME = David.Doss	DESIGNED - _____	REVISED - _____	<b>STATE OF ILLINOIS DEPARTMENT OF TRANSPORTATION</b>	<b>TRAFFIC CONTROL &amp; PROTECTION, STANDARD 701400 (SPECIAL) FOR SN 081-0121 CARRYING 248TH ST OVER I-88</b>	F.A.I. RTE. 88 74/280	SECTION (161-1HB-1)BP & (81-3B-1)BP	COUNTY ROCK ISLAND	TOTAL SHEETS 11	SHEET NO. 10	
	PLOT SCALE = 40,0000 * / in.	CHECKED - _____	REVISED - _____			CONTRACT NO. 64513		ILLINOIS FED. AID PROJECT			
	PLOT DATE = Nov-29-2022 07:56:44 AM	DATE - _____	REVISED - _____		SCALE: _____	SHEET _____ OF _____ SHEETS	STA. _____ TO STA. _____				



**PAVEMENT MARKINGS**

ALL TEMPORARY PAVEMENT MARKING SHALL BE, PAVEMENT MARKING TAPE, TYPE IV 4" AND THE MATERIALS SHALL BE ACCORDING TO ARTICLE 1095.06 OF THE STANDARD AND SPECIFICATIONS. THE CONTRACTOR SHALL INSTALL, MAINTAIN AND REMOVE ALL TEMPORARY PAVEMENT MARKING TAPE. THIS WORK SHALL NOT BE PAID SEPERATELY AND SHALL BE INCLUDED IN THE COST OF THE "TRAFFIC CONTROL AND PROTECTION STANDARD 701402 (SPECIAL)".

ALL CONFLICTING PAVEMENT MARKINGS AND RAISED REFLECTIVE PAVEMENT MARKERS SHALL BE PROTECTED PRIOR TO COVERING WITH PAVEMENT MARKING BLACKOUT TAPE, 4". PAVEMENT MARKING BLACKOUT TAPE, 4". SHALL EXTEND A MINIMUM OF 2 INCHES BEYOND THE EXISTING MARKINGS OR REFLECTORS IN ALL DIRECTIONS. THIS WORK SHALL INCLUDE PROTECTING EXISTING PAVEMENT MARKINGS AND RAISED REFLECTIVE PAVEMENT MARKERS, INSTALLING, MAINTAINING AND REMOVING BLACKOUT TAPE. THIS WORK SHALL NOT BE PAID SEPERATELY AND SHALL BE INCLUDED IN THE COST OF THE "TRAFFIC CONTROL AND PROTECTION STANDARD 701402 (SPECIAL)".

**GENERAL NOTES**

THIS STANDARD IS USED WHERE AT ANY TIME ANY VEHICLE, EQUIPMENT, WORKERS OR THEIR ACTIVITIES WILL ENCR OACH ON THE PAVEMENT OR ON THE SHOULDER WITHIN 24 (600) OF THE EDGE OF PAVEMENT FOR DAYLIGHT OPERATION EXCEEDING ONE DAY AND WHERE TEMPORARY CONCRETE BARRIER IS UTILIZED.

THIS STANDARD MUST ALWAYS BE USED IN COMBINATION WITH STANDARD 701400.

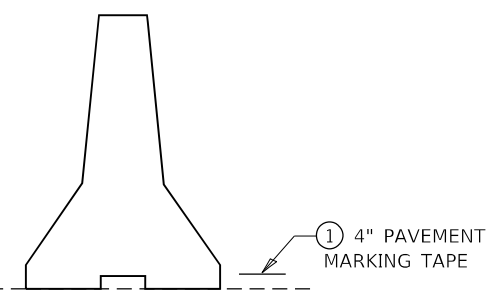
TEMPORARY CONCRETE BARRIER SHALL BE ACCORDING TO STANDARD 704001.

**SYMBOLS**

- ARROW BOARD
- WORK AREA
- SIGN
- TRAFFIC CONTROL DRUM WITH STEADY BURN MONODIRECTIONAL LIGHT
- TEMPORARY CONCRETE BARRIER
- IMPACT ATTENUATOR, TEMPORARY (NON-REDIRECTIVE), TEST LEVEL 3

- ① TEMPORARY PAVEMENT MARKING TAPE SHALL BE PLACED THROUGHOUT THE TAPER AND ALONG-SIDE THE WORK AREA. THE RIGHT EDGE LINE SHALL BE WHITE AND THE LEFT EDGE LINE SHALL BE YELLOW.
- ② EXISTING PAVEMENT MARKING LINE
- ③ BLACKOUT TAPE TO COVER CONFLICTING EXISTING PAVEMENT MARKING LINES

\*NO EQUIPMENT OR MATERIALS SHALL ENCR OACH WITHIN A DISTANCE OF 2'-0" AS MEASURED FROM THE BASE OF THE TEMPORARY CONCRETE BARRIER TO THE CL OF ROADWAY



**TEMPORARY CONCRETE BARRIER**

MODEL: Default FILE NAME: p:\p\dot\documents\DOT Office\Director\_2\Project\Operations\Bridg Section\Boc\_1\081-00864513\CADD\64513-ent-cover.dgn

SEE STANDARD 701400 (SPECIAL) FOR APPROACH START OF LANE CLOSURE TAPER

ANCHORED ACCORDING TO ARTICLE 704.04

USER NAME = David.Doss	DESIGNED - _____	REVISED - _____
PLOT SCALE = 40,0000 * / in.	CHECKED - _____	REVISED - _____
PLOT DATE = Nov-29-2022 07:56:59 AM	DATE - _____	REVISED - _____

**STATE OF ILLINOIS  
DEPARTMENT OF TRANSPORTATION**

**TRAFFIC CONTROL & PROTECTION, STANDARD 701402 (SPECIAL)  
FOR SN 081-0121 CARRYING 248TH ST OVER I-88**

SCALE: \_\_\_\_\_ SHEET \_\_\_\_\_ OF \_\_\_\_\_ SHEETS STA. \_\_\_\_\_ TO STA. \_\_\_\_\_

F.A.I. RTE. 88	SECTION (161-1HB-1)BP & (81-3B-1)BP	COUNTY ROCK ISLAND	TOTAL SHEETS 11	SHEET NO. 11
CONTRACT NO. 64513			ILLINOIS FED. AID PROJECT	