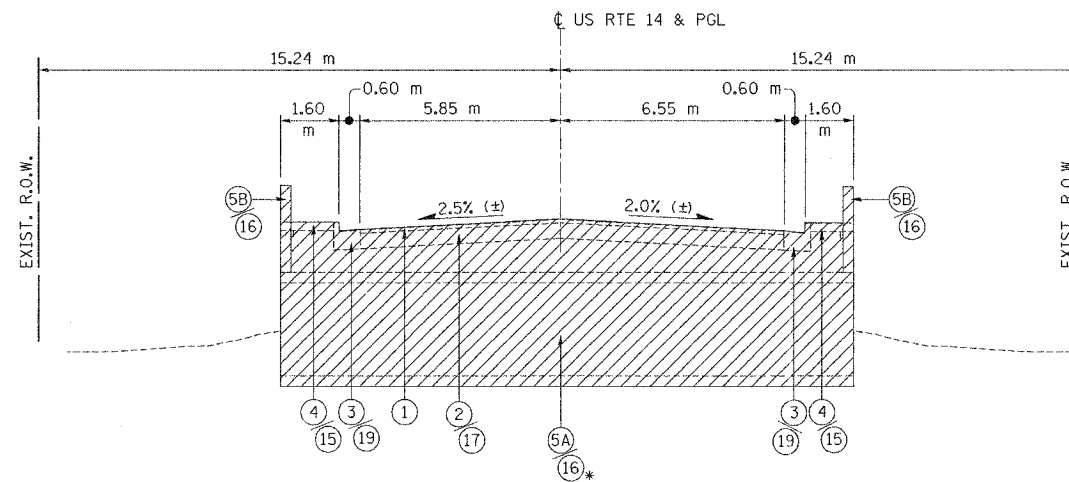


F.A.P. RTE.	SECTION	COUNTY	TOTAL SHEETS	SHEET NO.
303	29R-T	McHENRY	88	9
STA.		TO STA.		
FED. ROAD DIST. NO. 1		ILLINOIS FED. AID PROJECT		
JOB D-91-190-01		CONTRACT NO. 62202		

LEGEND:

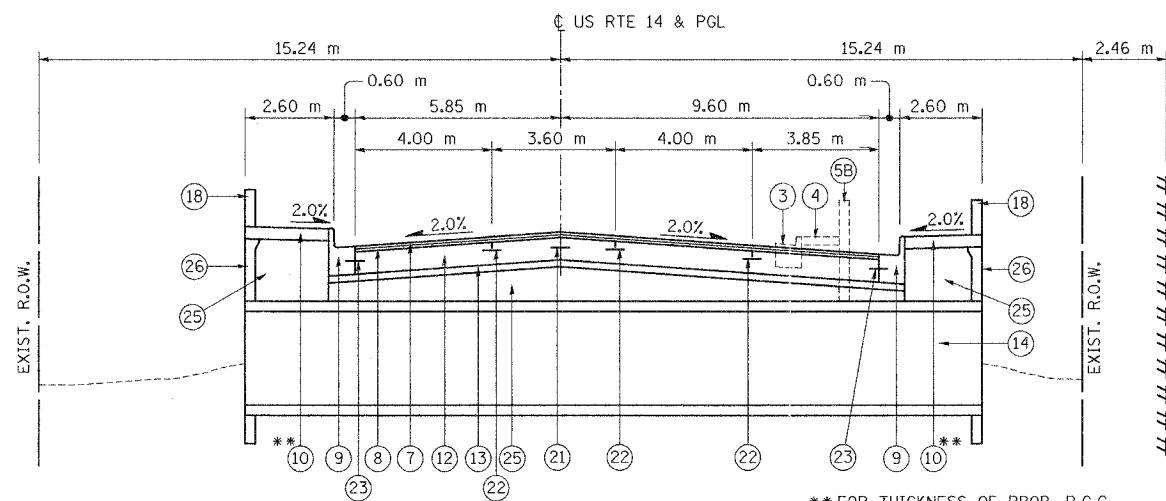
- ① EXIST. BITUMINOUS SURFACE COURSE, 75 mm
- ② EXIST. P.C.C. PAVEMENT, 190 mm
- ③ EXIST. CONCRETE CURB & GUTTER B-15.60
- ④ EXIST. CONCRETE SIDEWALK 127 mm
- ⑤ EXIST. R.C.C. RETAINING WALL
- ⑤A EXIST. TWO CELL R.C.C. BOX CULVERT
- ⑤B EXIST. PARAPET WALL
- ⑤C EXIST. APPROACH SLAB REMOVAL
- ⑥ PROP. BITUMINOUS SURFACE REMOVAL, 63 mm
- ⑦ PROP. BITUMINOUS CONCRETE SURFACE COURSE, SUPERPAVE, MIX "D" N70, 38 mm
- ⑧ PROP. POLYMERIZED LEVELING BINDER (MACHINE METHOD), SUPERPAVE, IL-4.75, N50, 19 mm TO 25 mm
- ⑨ PROP. COMBINATION CONCRETE CURB & GUTTER TYPE B-15.60
- ⑩ PROP. REINFORCED CEMENT CONCRETE SIDEWALK, 385 mm
- ⑪ PROP. SOLDIER PILE RETAINING WALL
- ⑫ PROP. PORTLAND CEMENT CONCRETE BASE COURSE, 245 mm
- ⑬ PROP. SUB-BASE GRANULAR MATERIAL TYPE B, 100 mm
- ⑭ PROP. FOUR CELL REINFORCED CONCRETE CULVERT (TWO 3.70 m x 2.28 m, TWO 3.70 m x 2.53 m)
- ⑮ PROP. SIDEWALK REMOVAL
- ⑯ PROP. CONCRETE REMOVAL
- ⑰ PROP. PAVEMENT REMOVAL
- ⑱ PROP. PARAPET WALL
- ⑲ PROP. COMBINATION CURB AND GUTTER REMOVAL
- ⑳ PROP. EARTH EXCAVATION (EMBANKMENT)
- ㉑ PROP. CONSTRUCTION JOINT WITH #25 EPOXY COATED, DEFORMED BARS 600 mm LONG @ 600 mm C-C
- ㉒ PROP. SAWED LONGITUDINAL JOINT WITH #20 EPOXY COATED, DEFORMED BARS 750 mm LONG @ 750 mm C-C
- ㉓ PROP. #20 EPOXY COATED, DEFORMED BARS 600 mm LONG @ 600 mm C-C
- ㉔ PROP. DRILL AND GROUT #25 TIE BARS (750 mm C-C)
- ㉕ POROUS GRANULAR EMBANKMENT
- ㉖ CULVERT HEADWALL
- ㉗ PROP. BRIDGE APPROACH PAVEMENT STD. 420401
- ㉘ PROP. PORTLAND CEMENT CONCRETE SIDEWALK, 125 mm



EXISTING TYPICAL SECTION

STA. 0+952.59 TO STA. 0+960.40
LOOKING SOUTH

* FOR PROPOSED CONCRETE REMOVAL, SEE STRUCTURE PLANS



PROPOSED TYPICAL SECTION

STA. 0+948.66 TO STA. 0+964.46
LOOKING SOUTH

** FOR THICKNESS OF PROP. R.C.C. SIDEWALK, SEE STRUCTURE PLANS

REVISIONS		ILLINOIS DEPARTMENT OF TRANSPORTATION US 14 - MOKELER CREEK TO N. OF IL. 173 AND AT UPRR EXISTING AND PROPOSED TYPICAL SECTIONS
NAME	DATE	

SCALE: VERT: NONE DRAWN BY R.A.D.
HORIZ. DATE FEBRUARY, 2005 CHECKED BY DR, SSJ

SOODAN & ASSOCIATES INC.
Architects, Engineers & Construction Consultants