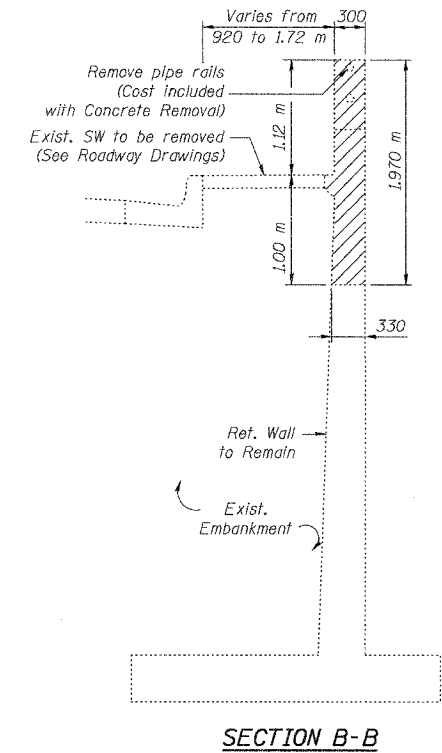
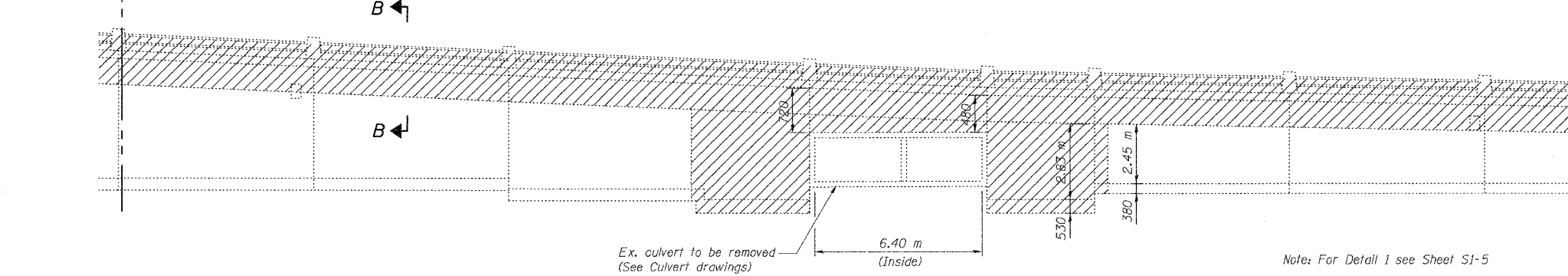
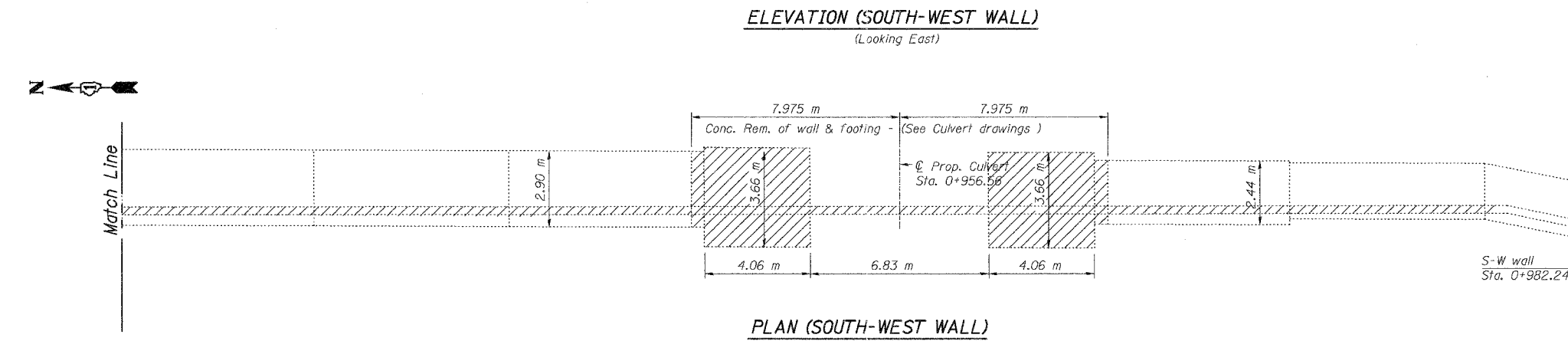
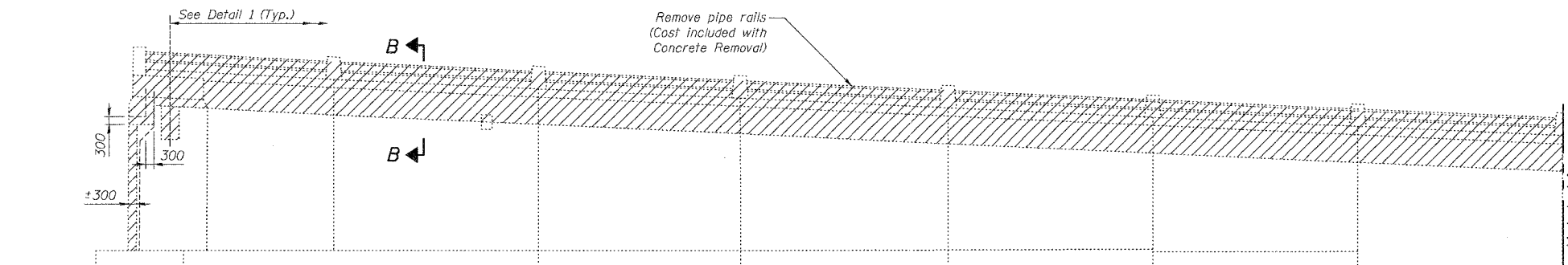
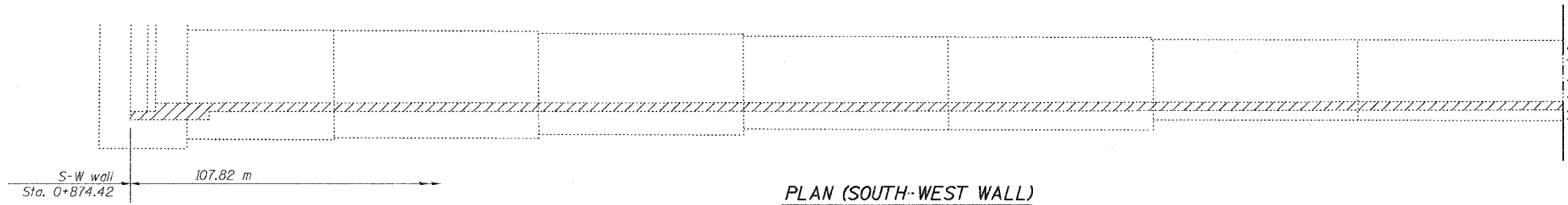


STATE OF ILLINOIS
DEPARTMENT OF TRANSPORTATION

ROUTE NO.	SECTION	COUNTY	SHEET	TOTAL
P.A.P. 383	29R-T	McHENRY	88	46
FED. ROAD DIST. NO. 1	ILLINOIS	FED. AID PROJECT-		

CONTRACT NO. 62202



Note: For Detail 1 see Sheet SI-5

BILL OF MATERIAL

ITEM	UNIT	QUANTITY
Concrete Removal	Cu. m.	169.8

DESIGNED	J.S./R.A.
CHECKED	H.T./N.S.
DRAWN	J.S.
CHECKED	H.T./M.R.

Soodan
Soodan & Associates, Inc.
Professional Engineers & Construction Consultants
410 North Lincoln Street, Suite 1800
Chicago, Illinois 60602
Tel: 312/553-0003 Fax: 312/553-8006
E-Mail: Transportation@soodan.com

Sheet SI-7 of 37

**EXISTING RETAINING WALL REMOVAL
SOUTH-WEST WALLS**

U.S. 14 RETAINING WALLS
AT MOKELER CREEK
SECTION 29R-T
McHENRY COUNTY
STA. 0+647.90 TO STA. 0+982.78
AT STRUCTURE NO. 056-0007

Date: February, 2005 Scale: None