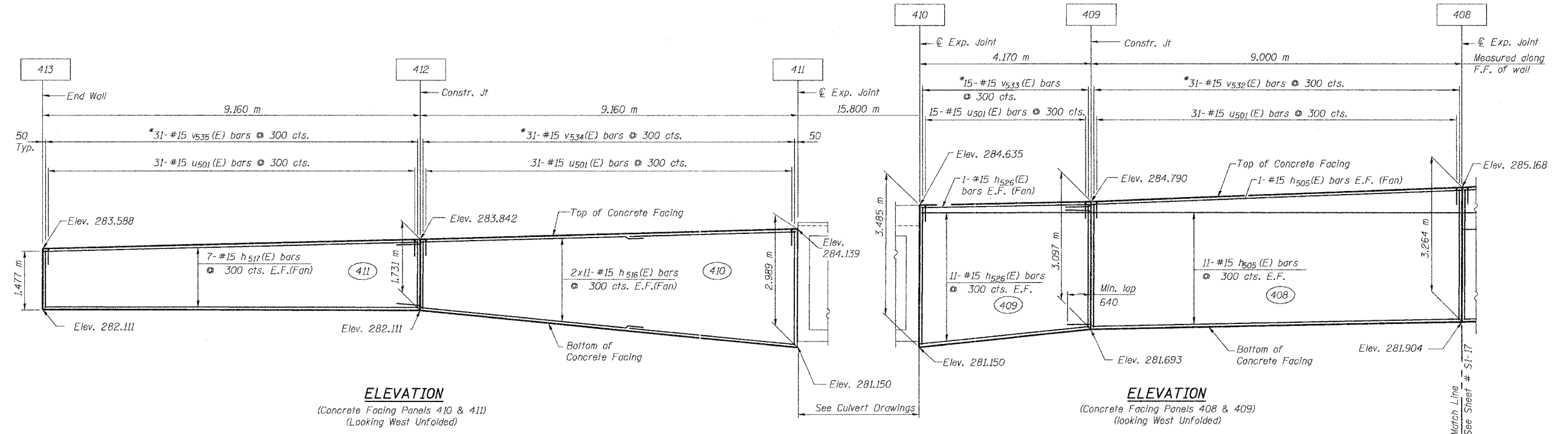


STATE OF ILLINOIS
DEPARTMENT OF TRANSPORTATION

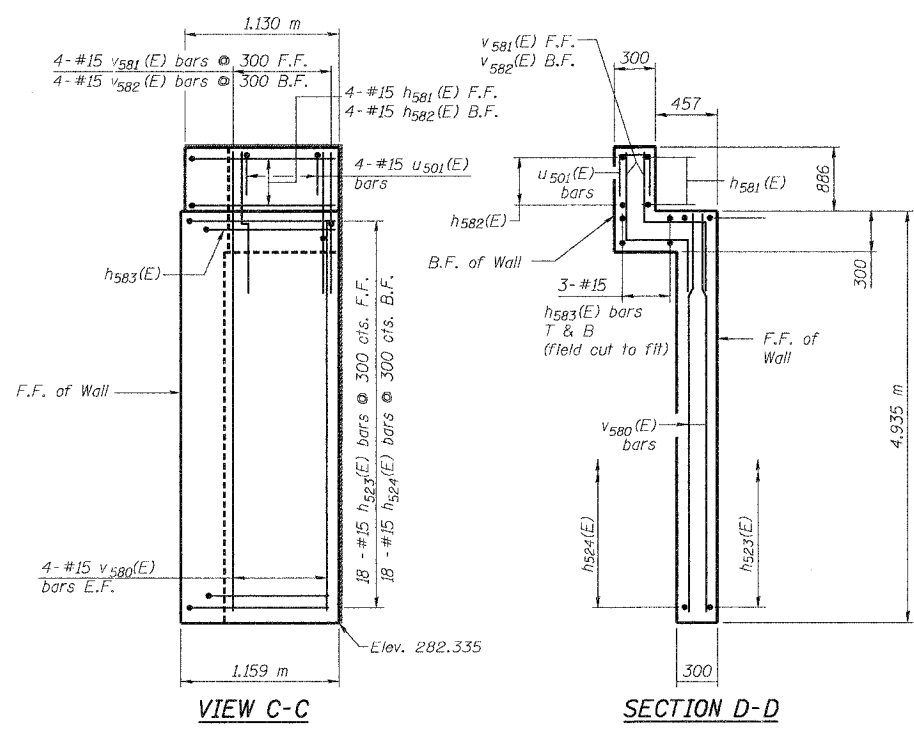
ROUTE NO.	SECTION	COUNTY	SHEET	TOTAL SHEETS
299-T	299-T	McHENRY	88	57
FED. ROAD DIST. NO. 1		LINE	FED. AID PROJECT	

CONTRACT NO. 62202



ELEVATION
(Concrete Facing Panels 410 & 411)
(Looking West Unfolded)

ELEVATION
(Concrete Facing Panels 408 & 409)
(Looking West Unfolded)



VIEW C-C

SECTION D-D

MIN. LAP
#15= 640 mm

- NOTES:**
- For Notes & Legend see Sheet SI-3.
 - Bars indicated thus 1 x 3-#15 etc. indicates 1 line of bars with 3 lengths per line.
 - All dimensions are in millimeters (mm) except as noted.
- * Order v532(E) thru v535(E) Bars full length, Cut to fit and use the remainder of bars in other face.

Sheet SI-18 of 37

**CONCRETE FACING
SOUTH-EAST WALL (2 of 2)**
U.S. 14 RETAINING WALLS
AT MOKELER CREEK
SECTION 299-T
McHENRY COUNTY
STA. 0+647.90 TO STA. 0+982.78
AT STRUCTURE NO. 056-0007

DESIGNED	J.S./R.A.
CHECKED	H.T./N.S.
DRAWN	J.S./B.I.D.
CHECKED	H.T./M.R.

Soodan
Soodan & Associates, Inc.
Architect, Engineers & Construction Consultants
621 North College Street, Suite 900
Chicago, Illinois 60602
Tel: 312/553-0033 Fax: 312/553-2205
E-Mail: transportation@soodan.com

Date: February, 2005 Scale: None