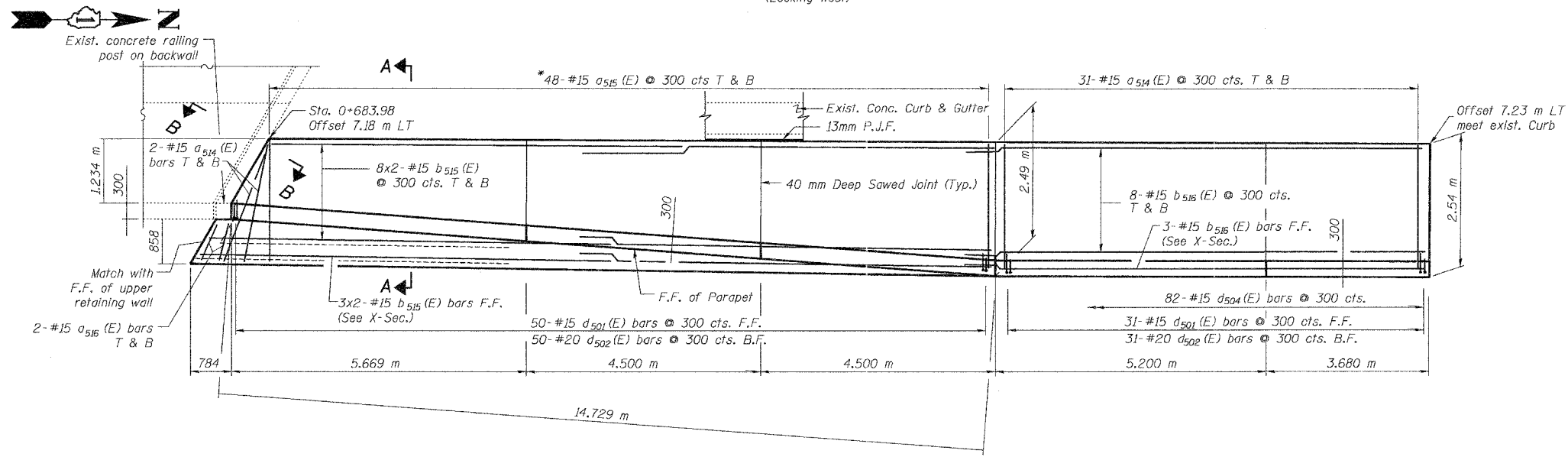
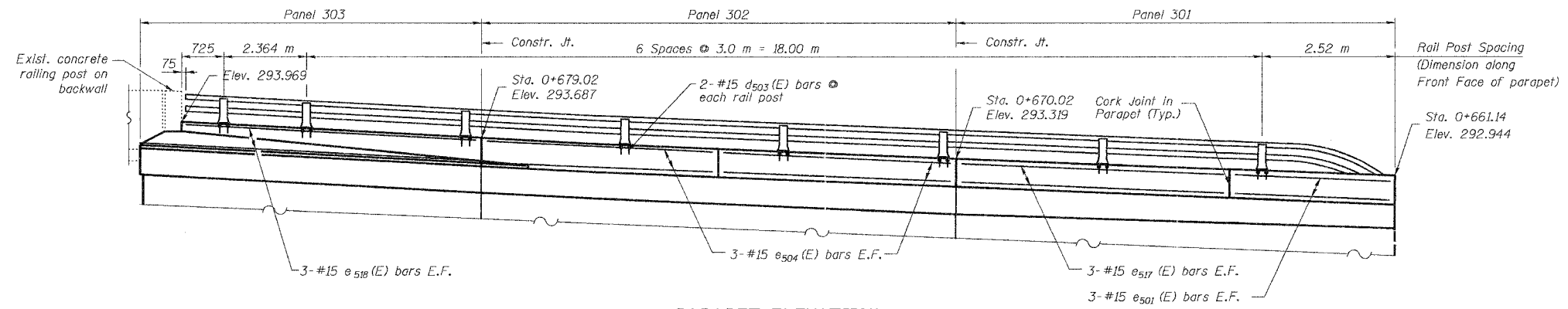


STATE OF ILLINOIS
DEPARTMENT OF TRANSPORTATION

ROUTE NO.	SECTION	COUNTY	SHEET NO.	TOTAL SHEETS
U.S. 14	29R-T	McHENRY	88	62
FED. ROAD DIST. NO. 1	ILLINOIS	FED. AID PROJECT		

CONTRACT NO. 62202



- NOTES:**
- For Notes & Legends see sheet S1-3.
 - Bars indicated thus 1 x 3-#15 etc. indicates 1 line of bars with 3 lengths per line.
 - For Sawed Joint see Transverse Contraction Joint in Sidewalk details sheet S1-28.
- * See bar cutting diagram on sheet S1-28.

DESIGNED	J.S./R.A.
CHECKED	H.T./N.S.
DRAWN	J.S.
CHECKED	H.T./M.R.

Soodan
Soodan & Associates, Inc.
Architect, Engineers & Construction Consultants
650 North LaSalle Street, Suite 2000
Chicago, Illinois 60602
Tel: 312/553-0003 Fax: 312/553-0005
E-Mail: info@soodan.com

Sheet S1-23 of 37

**PARAPET AND SIDEWALK SLAB
NORTH-EAST WALL**

U.S. 14 RETAINING WALLS
AT MOKELER CREEK
SECTION 29R-T
McHENRY COUNTY
STA. 0+647.90 TO STA. 0+982.78
AT STRUCTURE NO. 056-0007

Date: February, 2005 Scale: None