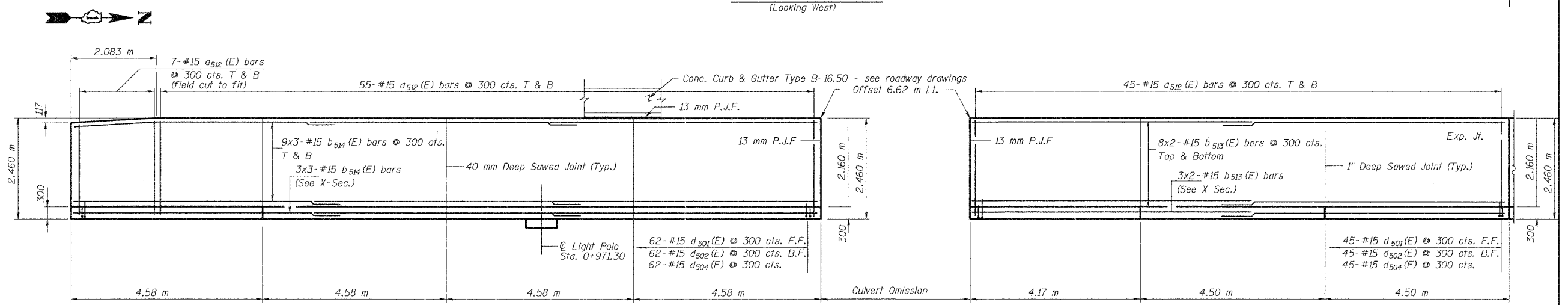
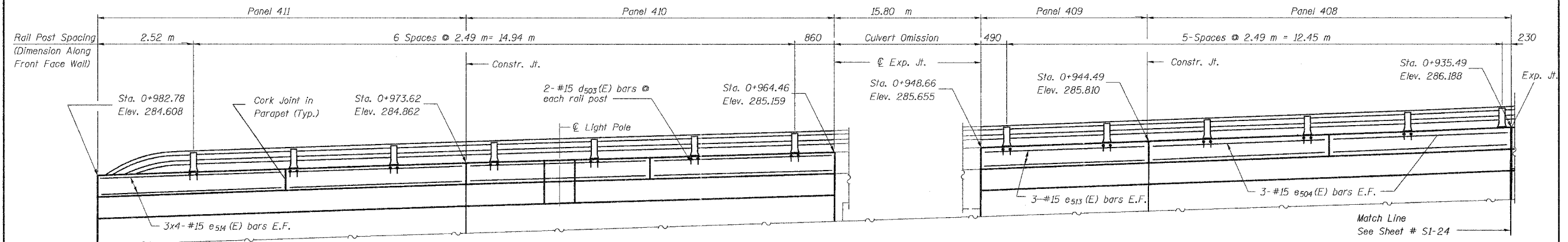


STATE OF ILLINOIS  
DEPARTMENT OF TRANSPORTATION

ROUTE NO.	SECTION	COUNTY	SHEET NO.	TOTAL SHEETS
U.S. 14	29R-T	McHENRY	88	64
FED. ROAD DIST. NO. 1		BUILDING	FED. AID PROJECT-	

CONTRACT NO. 62202



**NOTES:**

1. For Notes & Legend see sheet S1-3.
2. Bars indicated thus 1 x 3- #15 etc. indicates 1 line of bars with 3 lengths per line.
3. For light standard, bill of material, sections & details see sheet S1-28.
4. For Sawed Joint see Transverse Contraction Joint in Sidewalk details sheet S1-28.

Sheet S1-25 of 37

**PARAPET AND SIDEWALK SLAB  
SOUTH-EAST WALL (2 OF 2)**

U.S. 14 RETAINING WALLS  
AT MOKELER CREEK  
SECTION 29R-T  
McHENRY COUNTY  
STA. 0+647.90 TO STA. 0+982.78  
AT STRUCTURE NO. 056-0007

Date: February, 2005 Scale: None

DESIGNED	J.S./R.A.
CHECKED	H.T./N.S.
DRAWN	J.S.
CHECKED	H.T./M.R.

**Soodan**  
Soodan & Associates, Inc.  
Architect, Engineers & Construction Consultants  
150 North LaSalle Street, Suite 800  
Chicago, Illinois 60602  
Tel: 312/553-0003 Fax: 312/553-8206  
E-Mail: Transportation@soodan.com