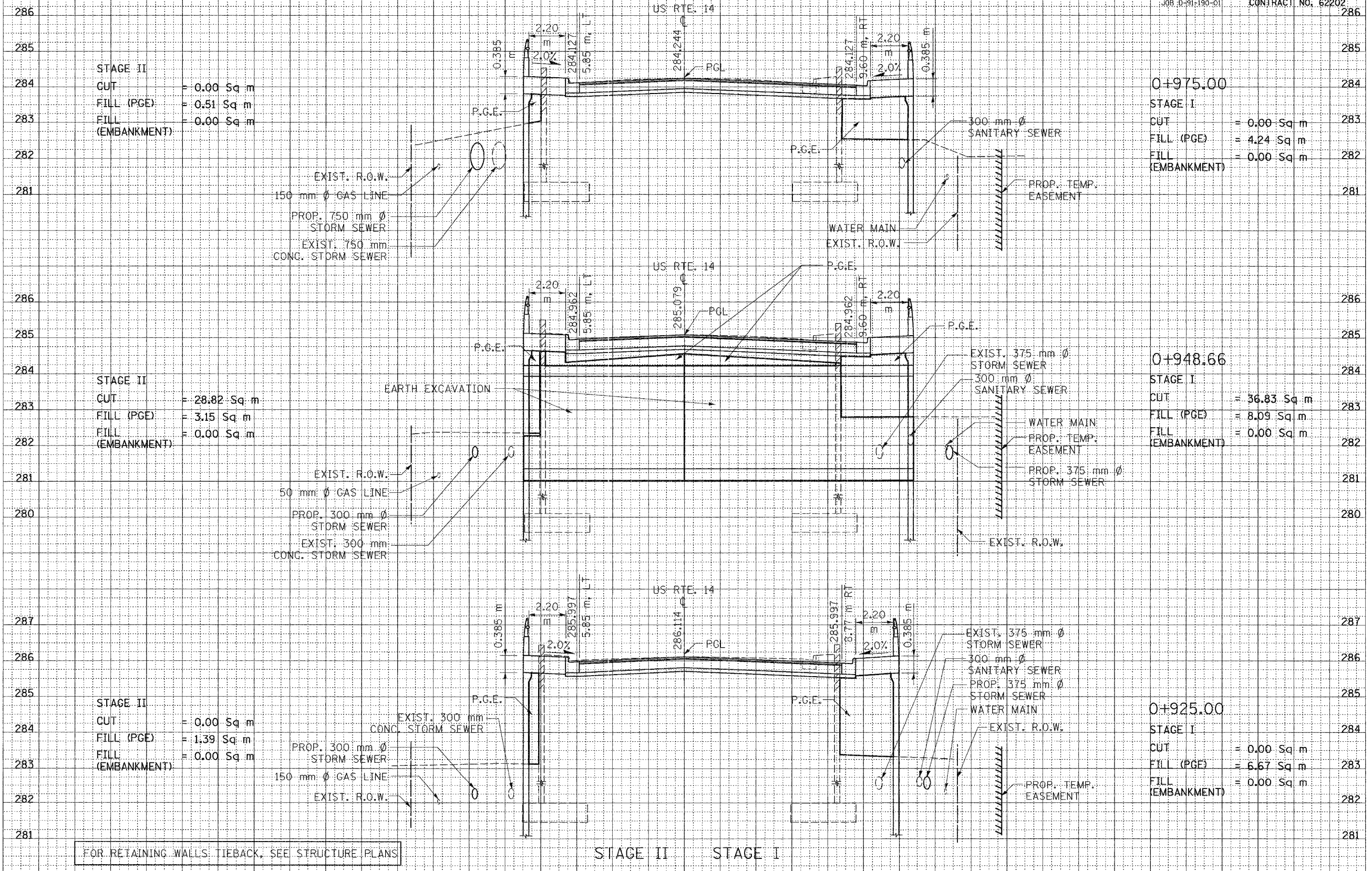


F.A.P. RTE.	SECTION	COUNTY	TOTAL SHEETS	SHEET NO.
303	29R-T	McHENRY	88	87
STA. 0+925.00		TO STA. 0+975.00		
FED. ROAD DIST. NO. 1		ILLINOIS FED. AID PROJECT		
JOB D-91-190-01		CONTRACT NO. 62202		



STAGE II
 CUT = 0.00 Sq m
 FILL (PGE) = 0.51 Sq m
 FILL (EMBANKMENT) = 0.00 Sq m

0+975.00
 STAGE I
 CUT = 0.00 Sq m
 FILL (PGE) = 4.24 Sq m
 FILL (EMBANKMENT) = 0.00 Sq m

STAGE II
 CUT = 28.82 Sq m
 FILL (PGE) = 3.15 Sq m
 FILL (EMBANKMENT) = 0.00 Sq m

0+948.66
 STAGE I
 CUT = 36.83 Sq m
 FILL (PGE) = 8.09 Sq m
 FILL (EMBANKMENT) = 0.00 Sq m

STAGE II
 CUT = 0.00 Sq m
 FILL (PGE) = 1.39 Sq m
 FILL (EMBANKMENT) = 0.00 Sq m

0+925.00
 STAGE I
 CUT = 0.00 Sq m
 FILL (PGE) = 6.67 Sq m
 FILL (EMBANKMENT) = 0.00 Sq m

FOR RETAINING WALLS: TIEBACK, SEE STRUCTURE PLANS

STAGE II STAGE I