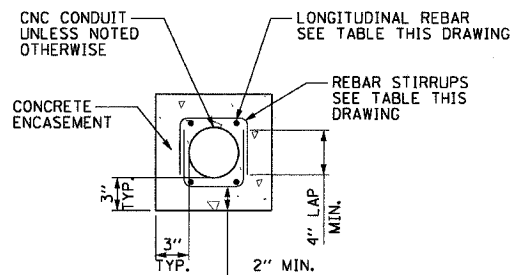


F.A.I. RTE.	SECTION	COUNTY	TOTAL SHEETS	SHEET NO.
90/94	2003-0311	COOK	976	51
STA.	TO STA.			
FED. ROAD DIST. NO. 1	ILLINOIS	FED. AID PROJECT		

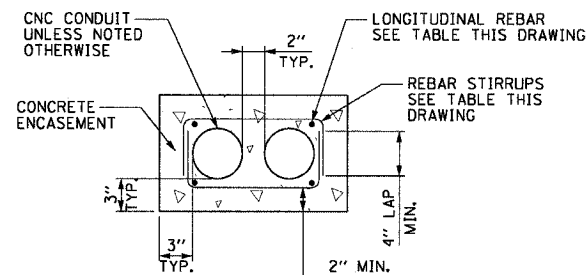
62583

**NOTES:**

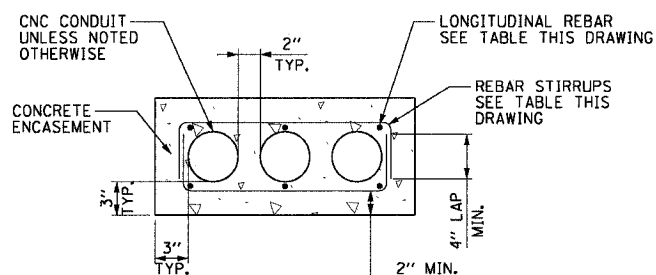
- SEE DRAWING ME-01 AND ME-02 FOR ELECTRICAL SYMBOLS AND ABBREVIATIONS.
- PROVIDE MINIMUM CLEARANCE SHOWN FROM TOP OF DUCTBANK TO FINISHED GRADE FOR ALL DUCTBANKS, REGARDLESS OF SIZE. CONTRACTOR MUST INSTALL DUCTBANKS SUCH THAT THEY WILL CLEAR ALL UNDERGROUND OBSTACLES.
- TRENCH MUST HAVE MINIMUM WIDTH SHOWN FOR ALL DUCTBANKS DETAILED ON THIS DRAWING. THE CONTRACTOR MUST INCREASE TRENCH WIDTH FOR ADDITIONAL CONDUITS, AS DIRECTED BY THE ENGINEER, AT NO ADDITIONAL COST.
- NOT ALL DUCTBANK CONFIGURATIONS ARE SHOWN. ALL DUCTBANKS INSTALLED UNDER THIS CONTRACT WILL CONFORM TO THE TYPICAL SPACINGS SHOWN ON THIS DRAWING.



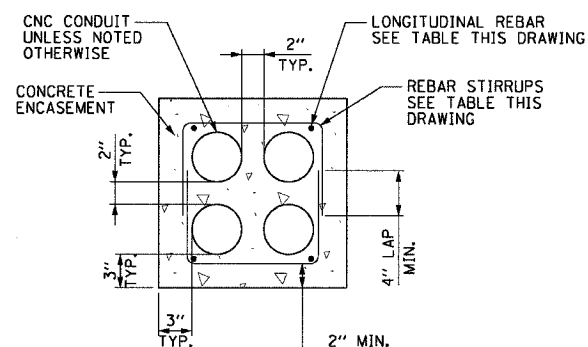
**1x1 DUCTBANK DETAIL-  
IN REINFORCED CONCRETE**  
ME-11A NOT TO SCALE



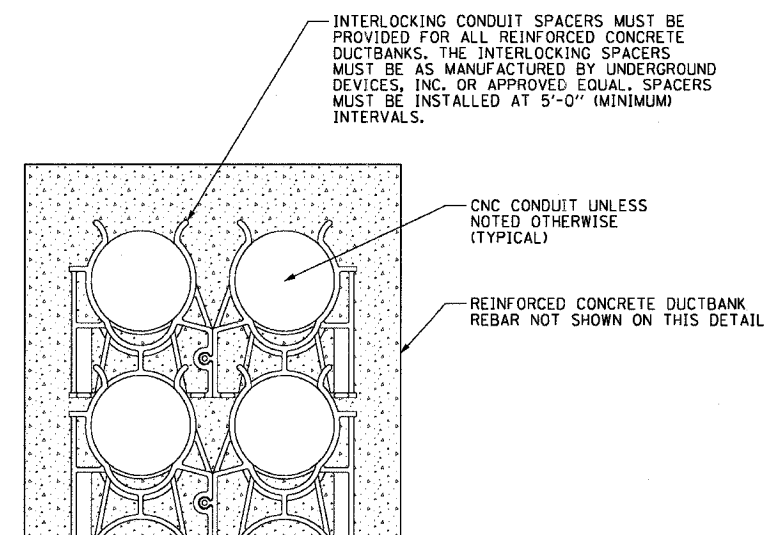
**2x1 DUCTBANK DETAIL-  
IN REINFORCED CONCRETE**  
ME-11B NOT TO SCALE



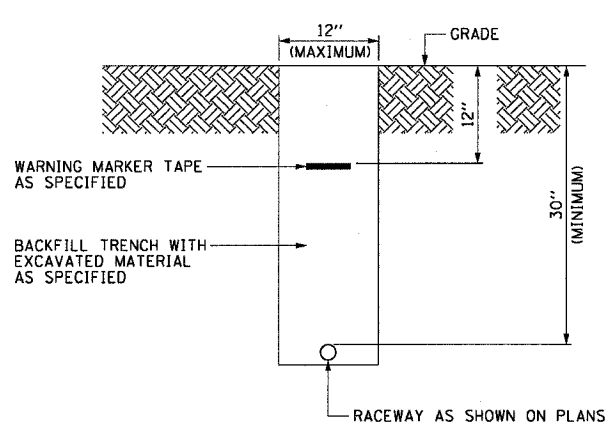
**3x1 DUCTBANK DETAIL-  
IN REINFORCED CONCRETE**  
ME-11C NOT TO SCALE



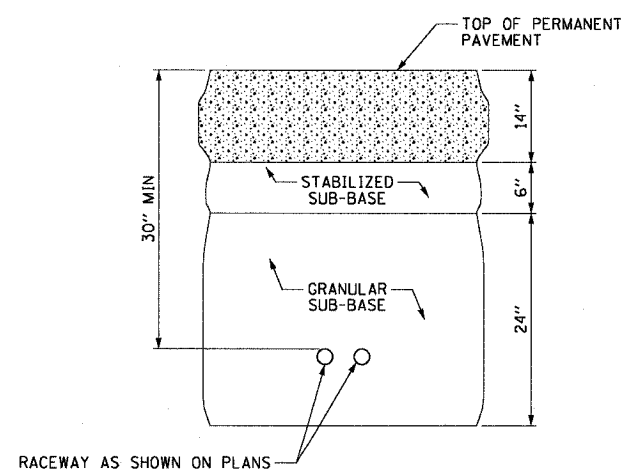
**2x2 DUCTBANK DETAIL-  
IN REINFORCED CONCRETE**  
ME-11D NOT TO SCALE



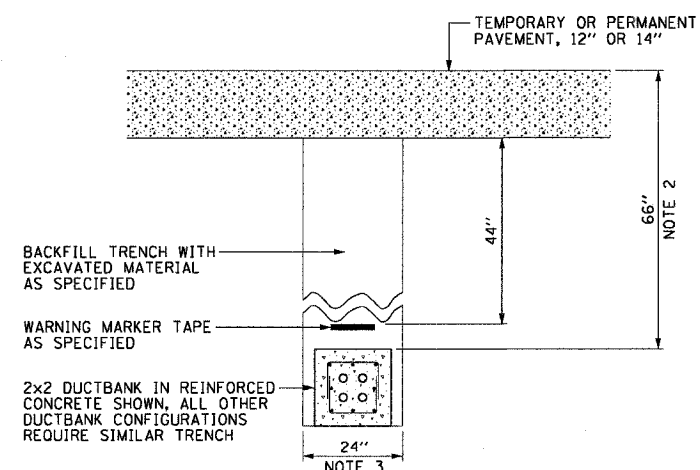
**INTERLOCKING CONDUIT SPACER DETAIL**  
ME-11H NOT TO SCALE



**TYPICAL ELECTRICAL  
CONDUIT IN UNPAVED AREA**  
ME-11E NOT TO SCALE



**TYPICAL SURVEILLANCE  
CONDUIT UNDER PERMANENT PAVEMENT**  
ME-11F NOT TO SCALE



**TYPICAL ELECTRICAL  
DUCTBANK UNDER PAVEMENT**  
ME-11G NOT TO SCALE

DUCTBANK REINFORCEMENT TABLE		
DUCTBANK CONCRETE CROSS-SECTIONAL AREA SQ. INCHES	LONGITUDINAL REBAR	REBAR STIRRUPS
	BARS	
LESS THAN 450	#4	#3 AT 12" SPACING
451 TO 650	#5	#3 AT 12" SPACING
GREATER THAN 651	#6	#3 AT 12" SPACING

ME-11

REVISIONS	
NAME	DATE

ILLINOIS DEPARTMENT OF TRANSPORTATION  
F.A.I. 90/94 (DAN RYAN EXPRESSWAY)  
31st STREET TO I-57

**ELECTRICAL DUCTBANK DETAILS**

SCALE: NOT TO SCALE  
DATE: October 2, 2004  
DRAWN BY: KCM  
CHECKED BY: WDS