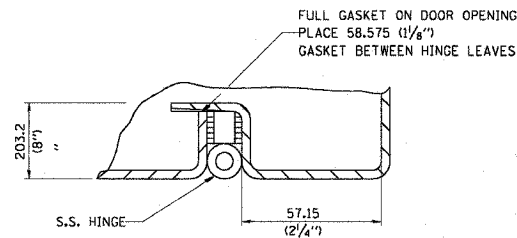
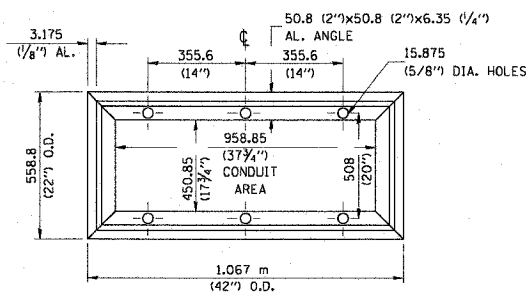


F.A.I. RTE.	SECTION	COUNTY	TOTAL SHEETS	SHEET NO.
90/94	2003-0311	COOK	976	63
STA.		TO STA.		
FED. ROAD DIST. NO. 1		ILLINOIS FED. AID PROJECT		

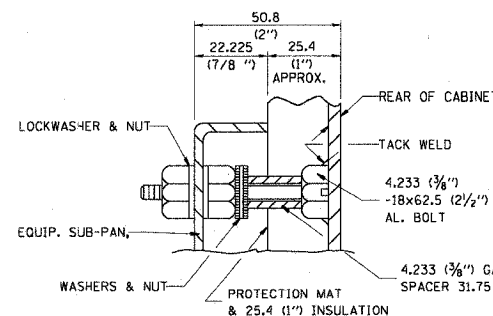
62583



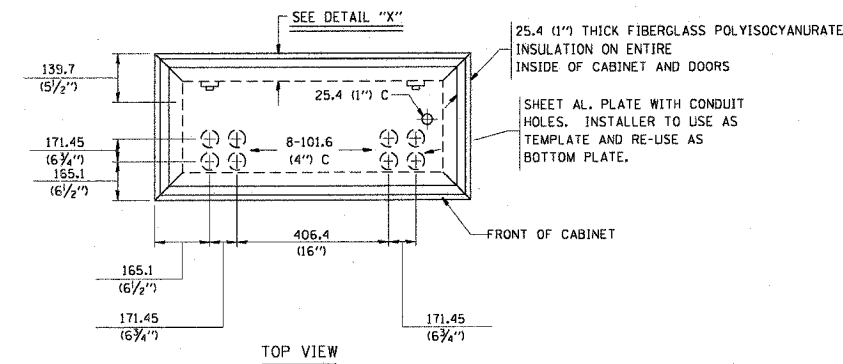
DETAIL "Y"



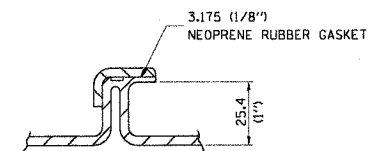
BASE MTC. DETAIL



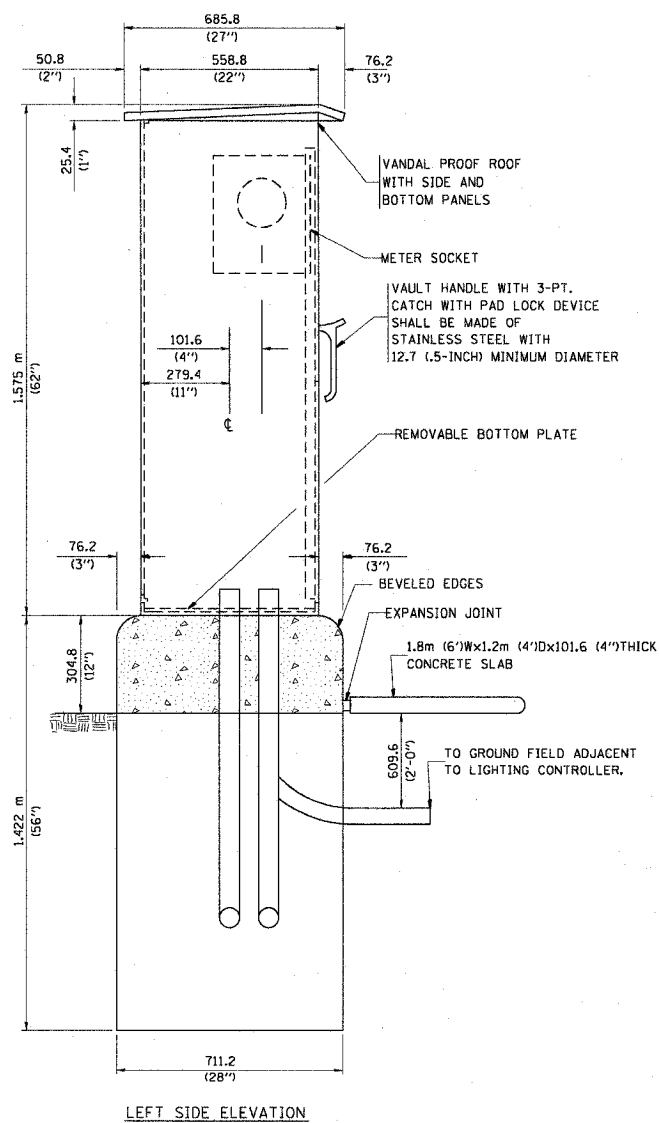
DETAIL "X"



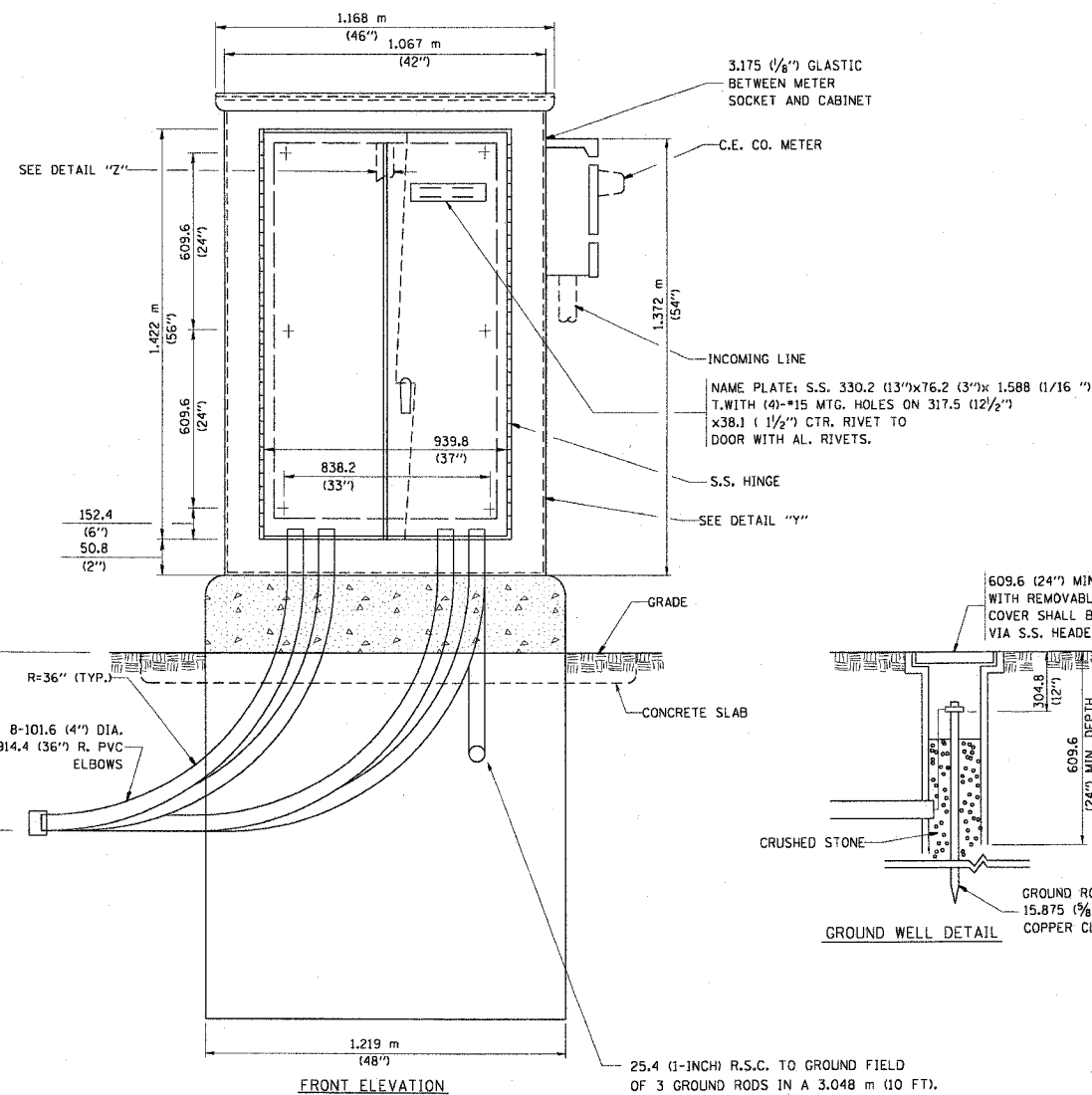
TOP VIEW



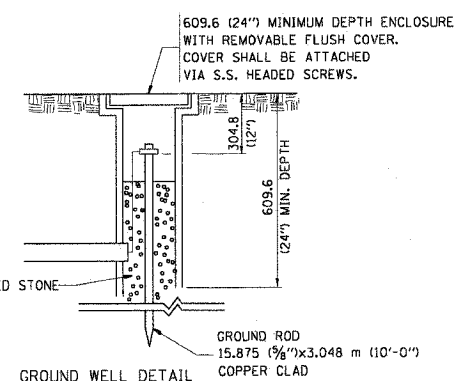
DETAIL "Z"



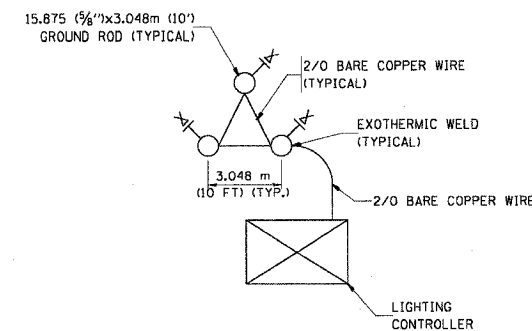
LEFT SIDE ELEVATION



FRONT ELEVATION



GROUND WELL DETAIL



GROUND FIELD DETAIL (N.T.S.)

THE CONTRACTOR SHALL VERIFY EXACT LOCATION WITH THE ENGINEER

25.4 (1-INCH) R.S.C. TO GROUND FIELD OF 3 GROUND RODS IN A 3.048 M (10 FT). TRIANGLE CONNECTED VIA BARE COPPER WIRE. VERIFY EXACT LOCATION OF GROUND FIELD WITH THE ENGINEER. NO GROUND WELL SHALL BE PLACED IN CONCRETE PAD IN FRONT OF CONTROLLER.

REVISIONS	
NAME	DATE

ILLINOIS DEPARTMENT OF TRANSPORTATION
F.A.I. 90/94 (DAN RYAN EXPRESSWAY)
31st STREET TO I-57
IDOT LIGHTING CONTROLLER,
RADIO CONTROL DUPLEX TYPE
WITH SCADA, SHT 3 OF 4

SCALE: NOT TO SCALE
DATE: October 29, 2004
DRAWN BY: CJM
CHECKED BY: WDS