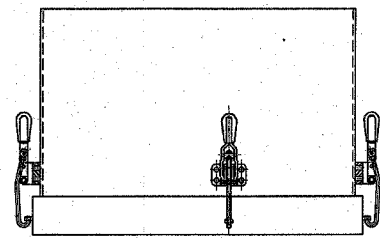
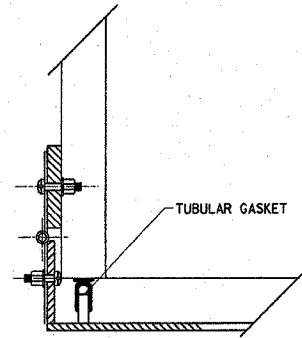


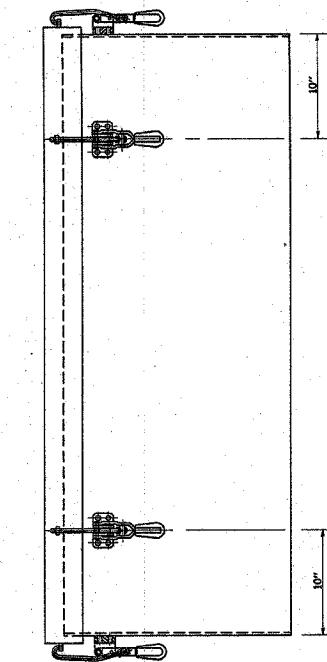
F.A. RTE.	SECTION	COUNTY	TOTAL SHEETS	SHEET NO.
404	2003-097	COOK	976	402
STA.		TO STA.		
FED. ROAD DIST. NO.		ILLINOIS FED. AID PROJECT		
		62583		



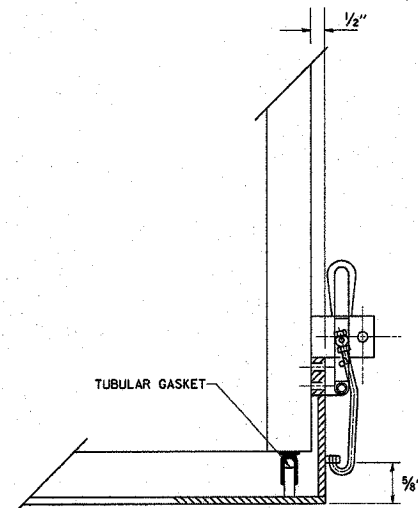
TOP VIEW



HINGE DETAIL

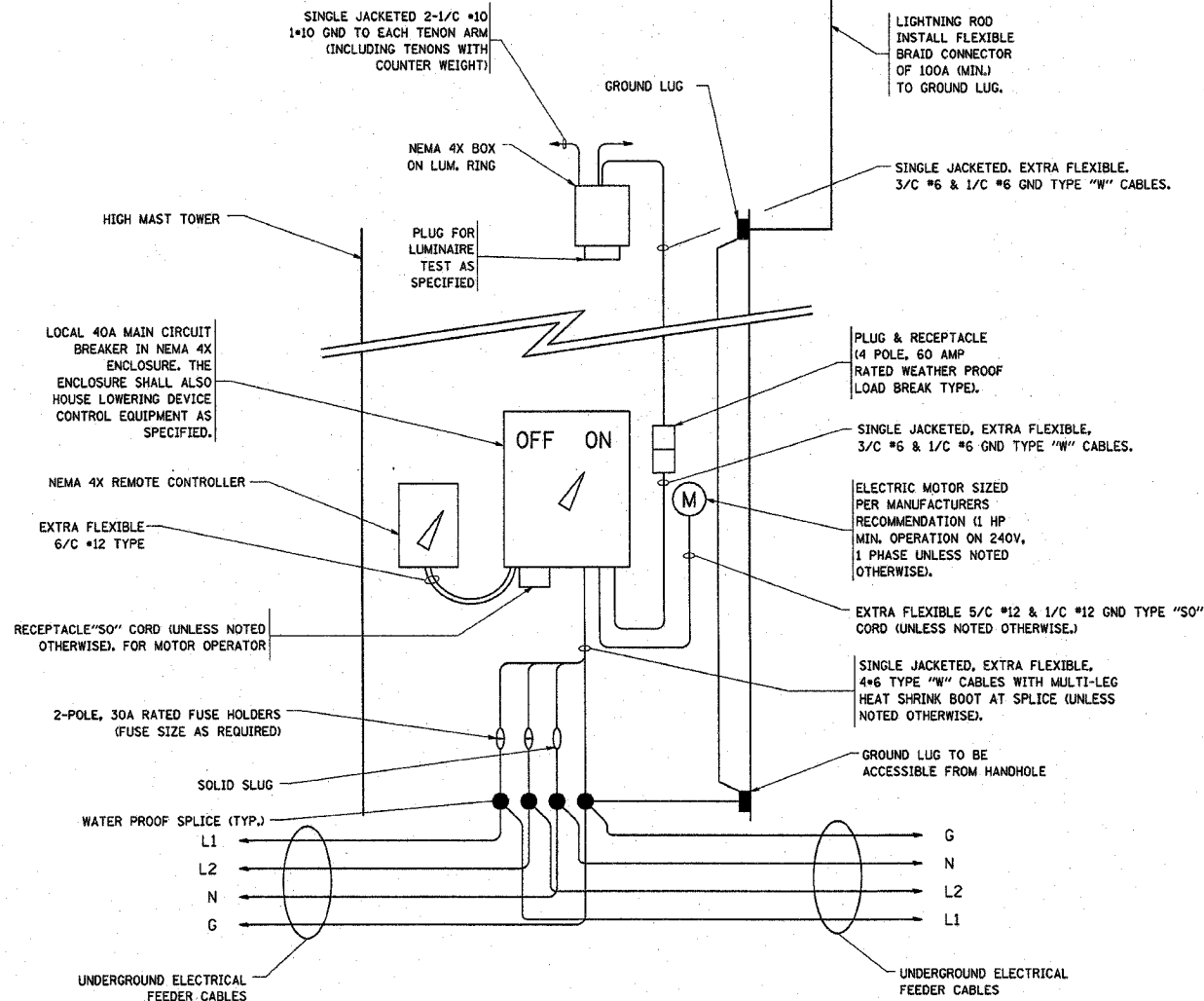


SIDE VIEW

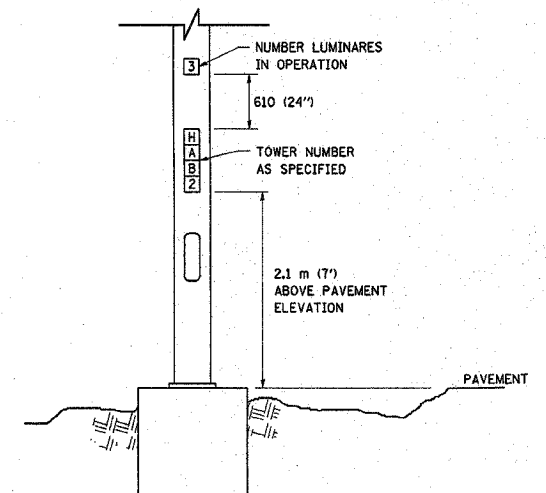


LATCH DETAIL

HANDHOLE DOOR DETAILS



HIGH MAST POLE WIRING DIAGRAM



LIGHT TOWER NUMBERING DETAIL

REVISIONS	
NAME	DATE

ILLINOIS DEPARTMENT OF TRANSPORTATION
HIGH MAST LIGHT TOWER
 27m TO 36m (90FT TO 120FT)
 SHEET 3 OF 3

SCALE: VERT. NONE
 HORIZ. DATE
 DRAWN BY
 CHECKED BY