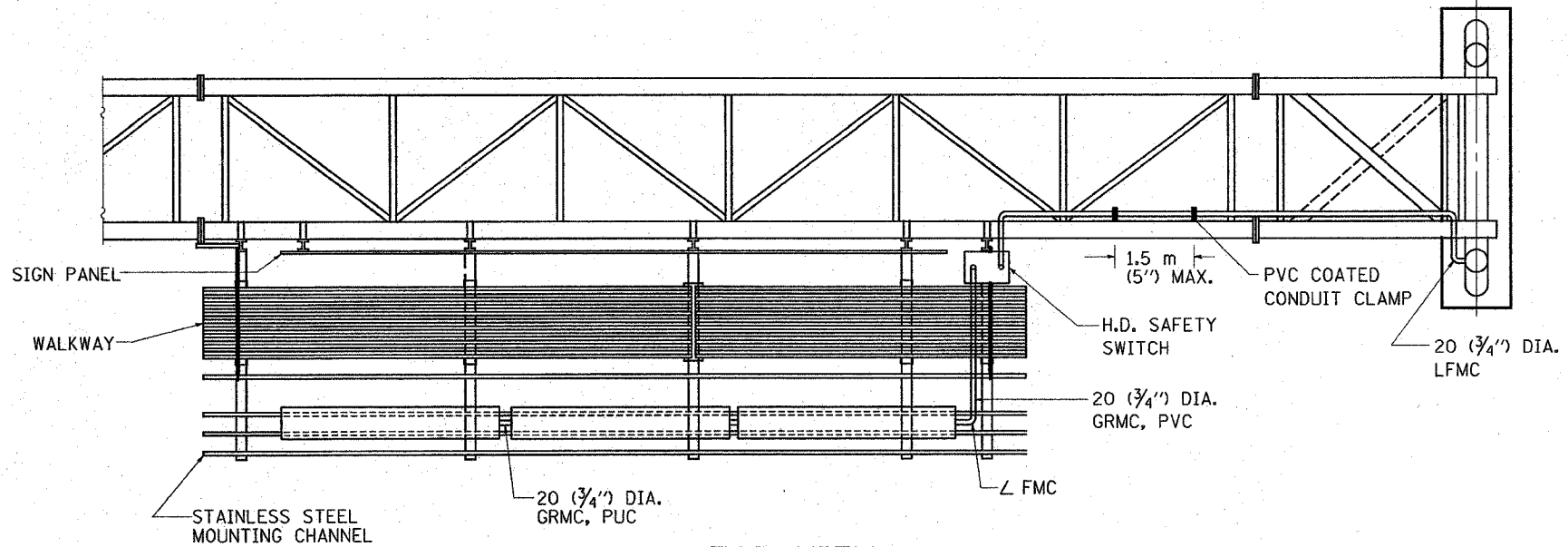
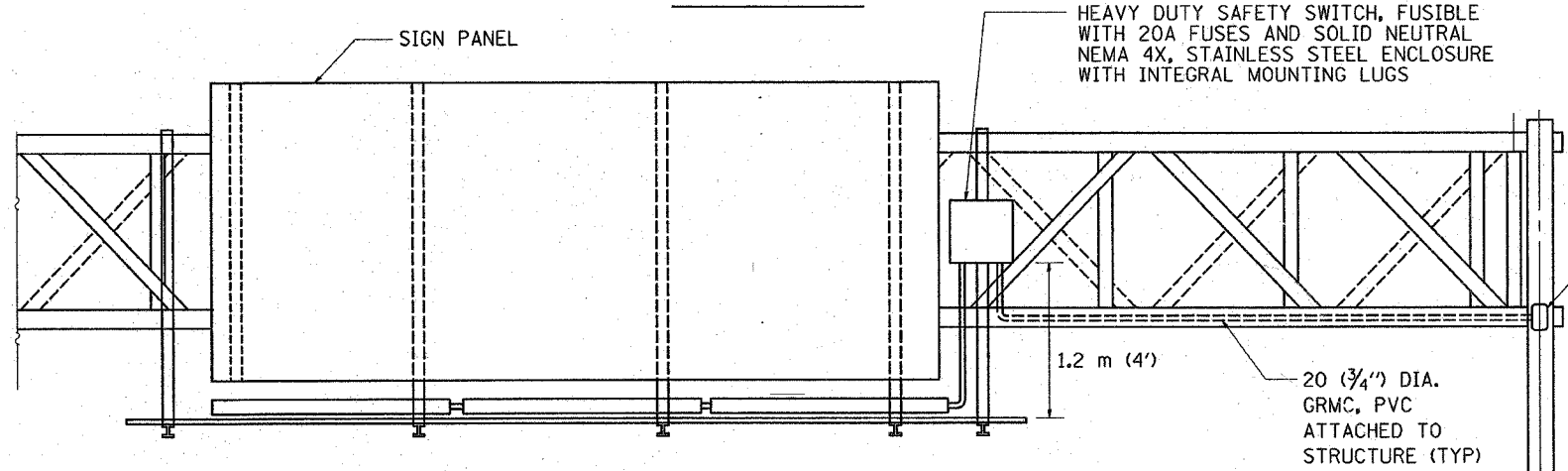


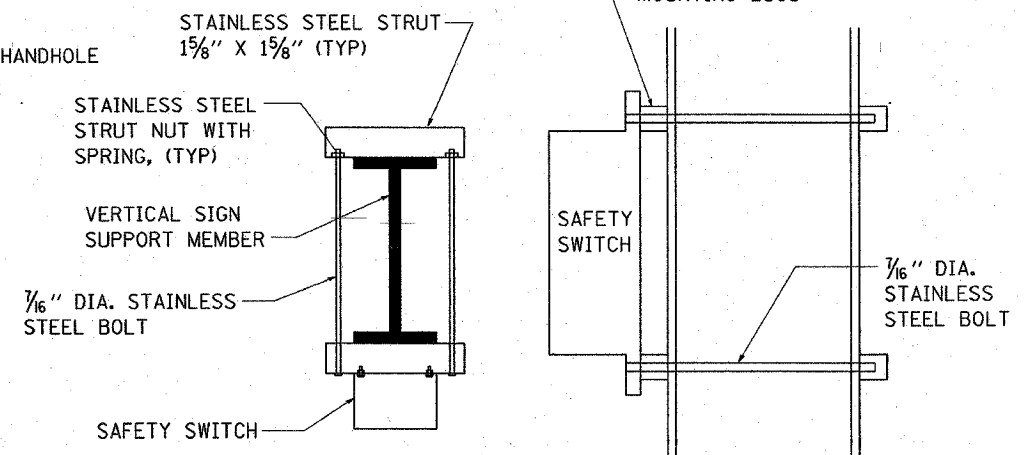
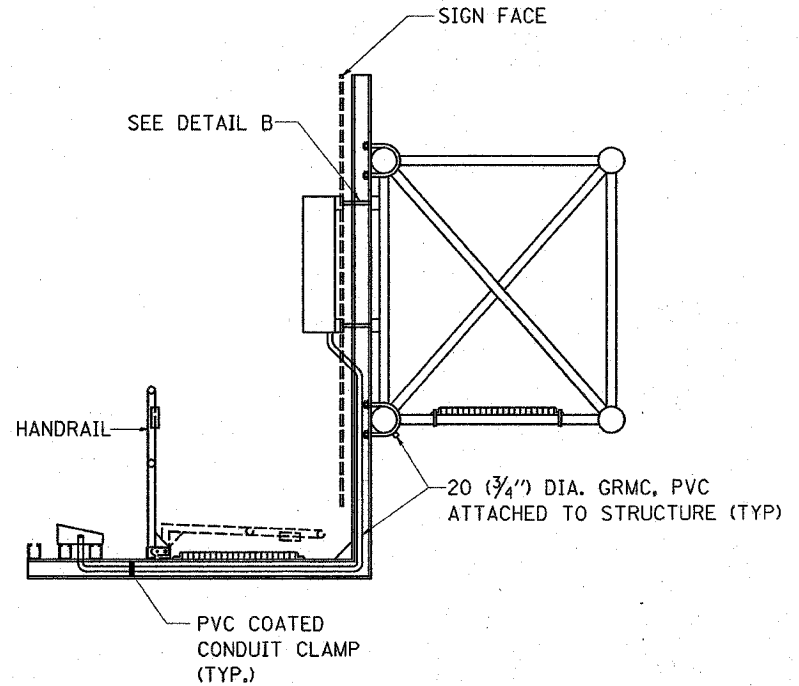
CONTRACT NO.:				
F.A. RTE.	SECTION	COUNTY	TOTAL SHEETS	SHEET NO.
101/11	2003-0311	COOK	976	406
STA.		TO STA.		
FED. ROAD DIST. NO.	ILLINOIS FED. AID PROJECT			
CONTRACT NO. 62583				



TOP VIEW



ELEVATION VIEW



TOP VIEW

SIDE VIEW

DETAIL B

REVISIONS	
NAME	DATE

ILLINOIS DEPARTMENT OF TRANSPORTATION
 ELECTRIC CONNECTION TO SIGN STRUCTURE
 SPAN TYPE
 2 OF 2

SCALE: VERT. HORIZ.
 DATE: DRAWN BY: CHECKED BY:

06:52:12 04/07/2004