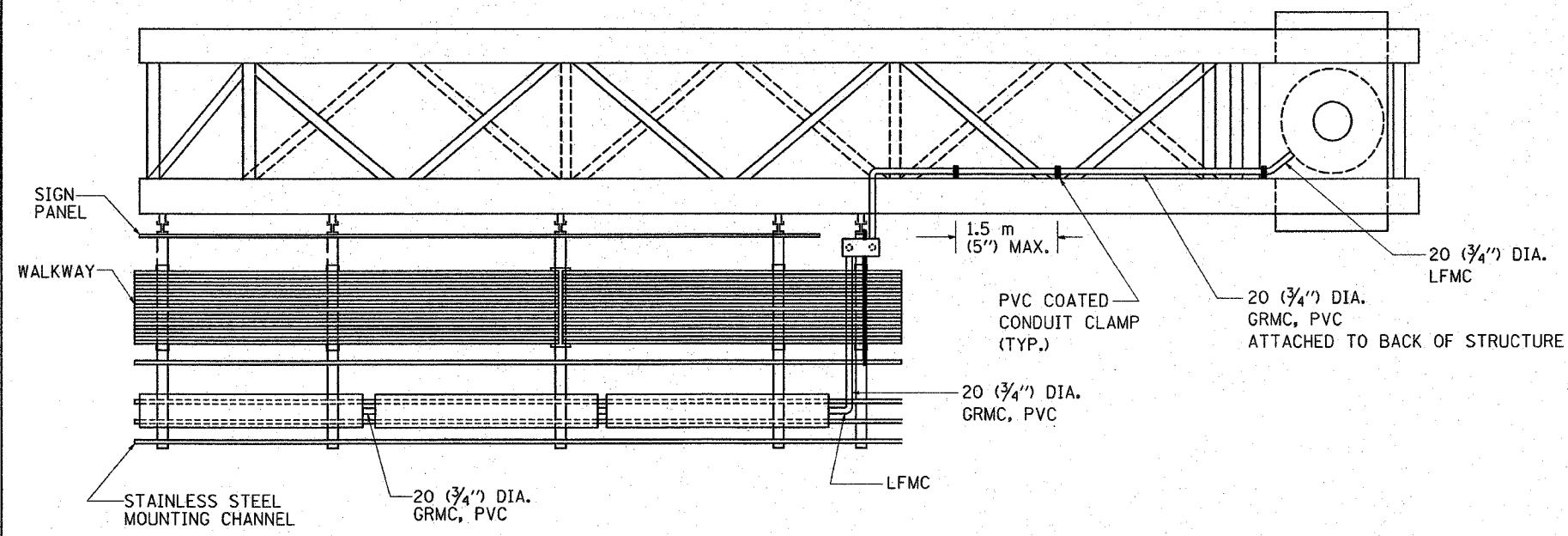
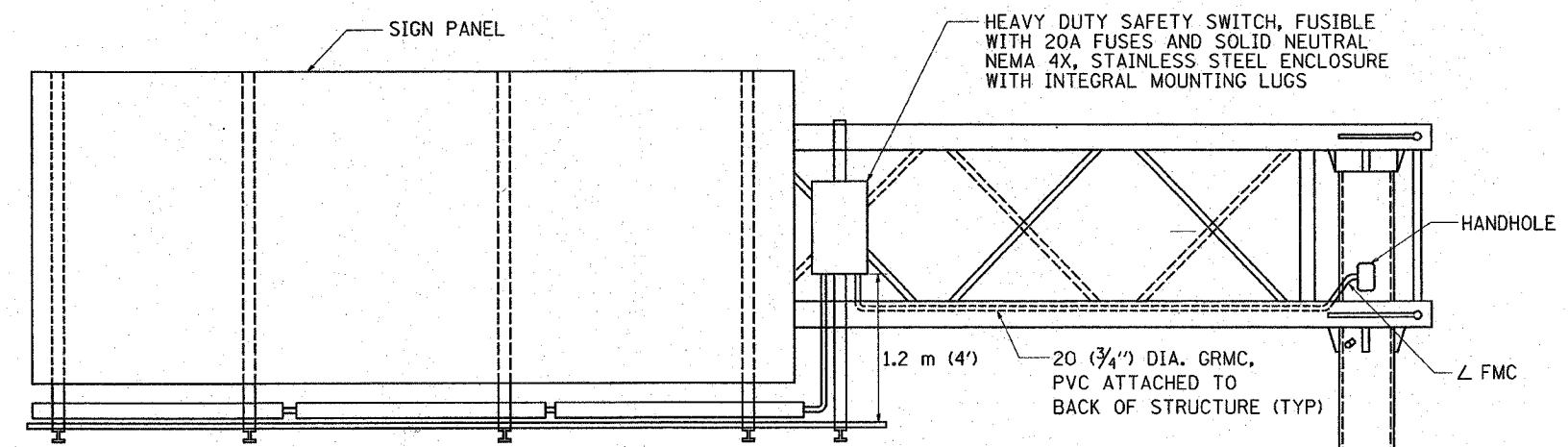
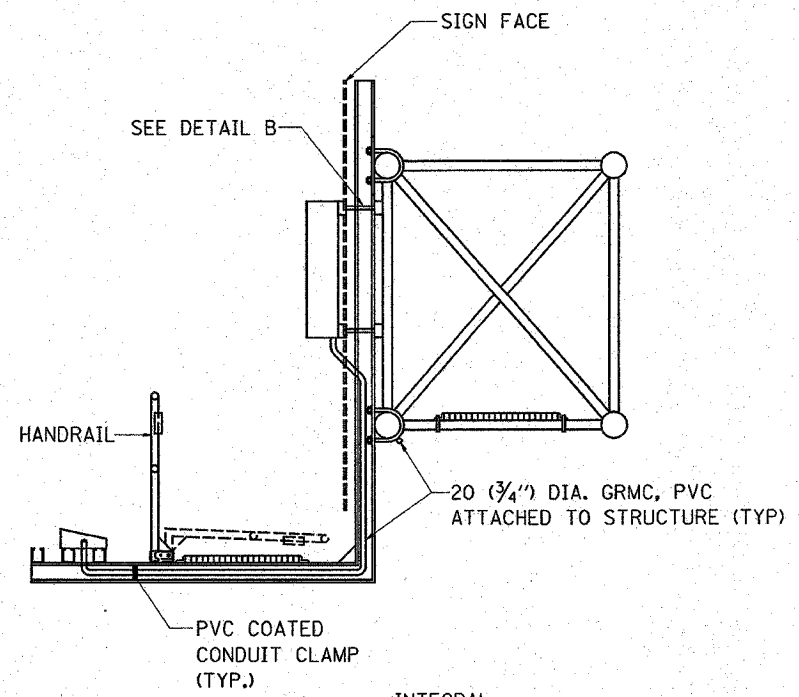


F.A. RTE.	SECTION	COUNTY	TOTAL SHEETS	SHEET NO.
94/9	2003-0713	COOK	176	408
STA.		TO STA.		
FED. ROAD DIST. NO. ILLINOIS FED. AID PROJECT				

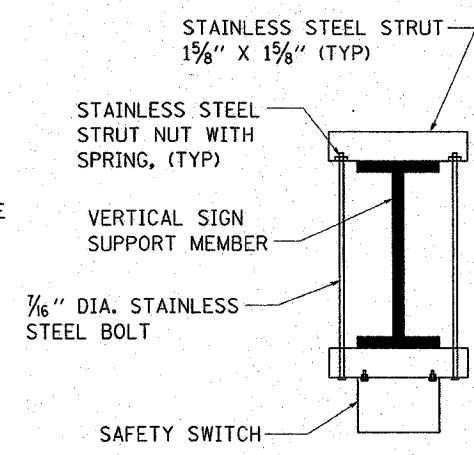
2583



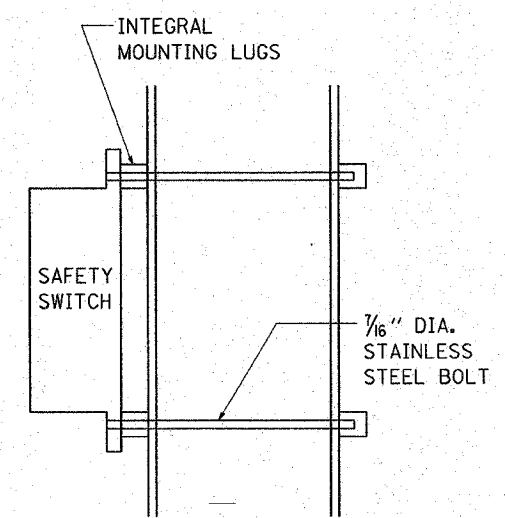
TOP VIEW



ELEVATION VIEW



TOP VIEW



SIDE VIEW

DETAIL B

REVISIONS		ILLINOIS DEPARTMENT OF TRANSPORTATION
NAME	DATE	
		ELECTRIC CONNECTION TO SIGN STRUCTURE CANTILEVER TYPE 2 OF 2

SCALE: VERT. _____ HORIZ. _____ DATE _____ DRAWN BY _____ CHECKED BY _____

10:03:43 04/21/2004