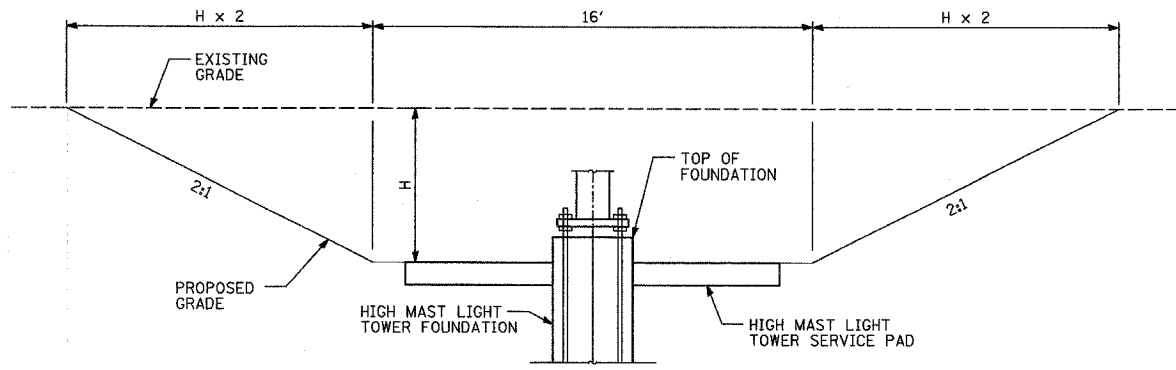
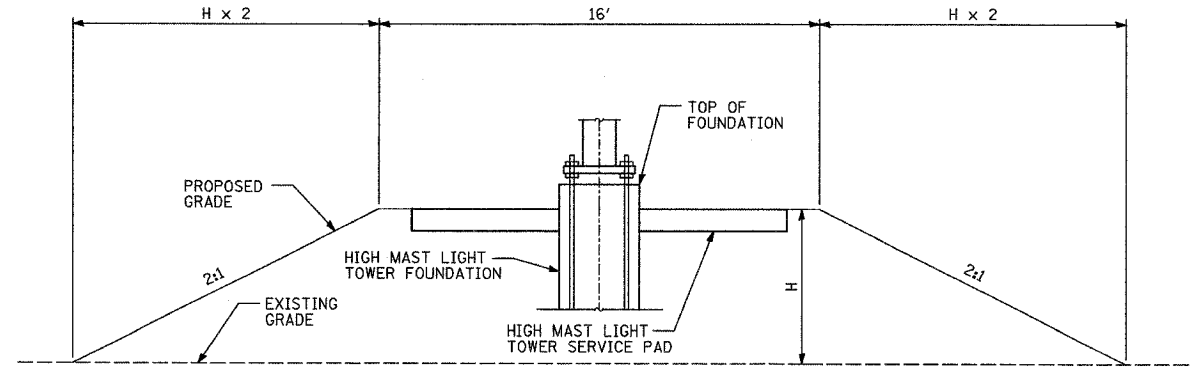


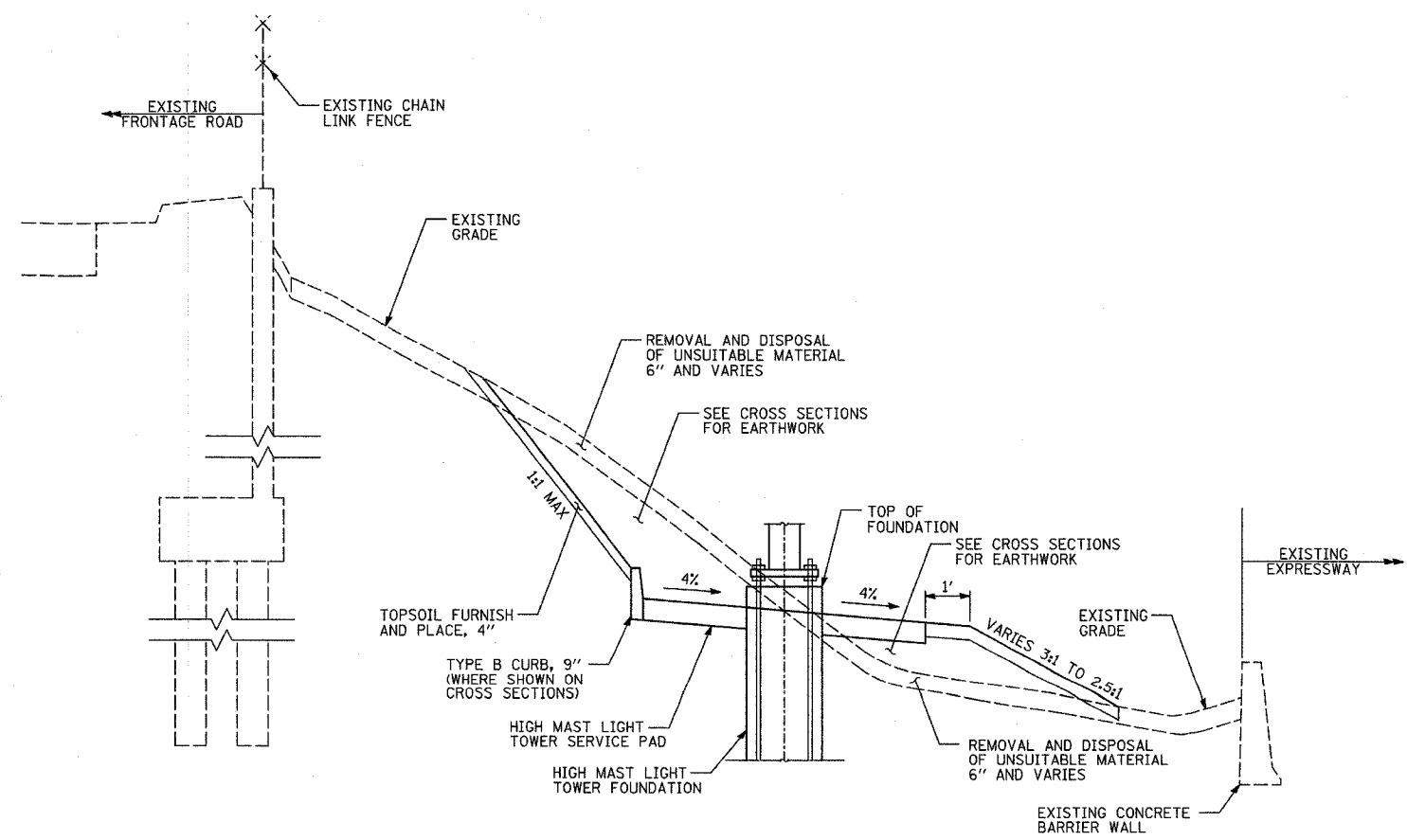
F.A.I. RTE.	SECTION	COUNTY	TOTAL SHEETS	SHEET NO.
90/94	2003-0311	COOK		410
STA.	TO STA.			
FED. ROAD DIST. NO.	ILLINOIS	FED. AID PROJECT		62583



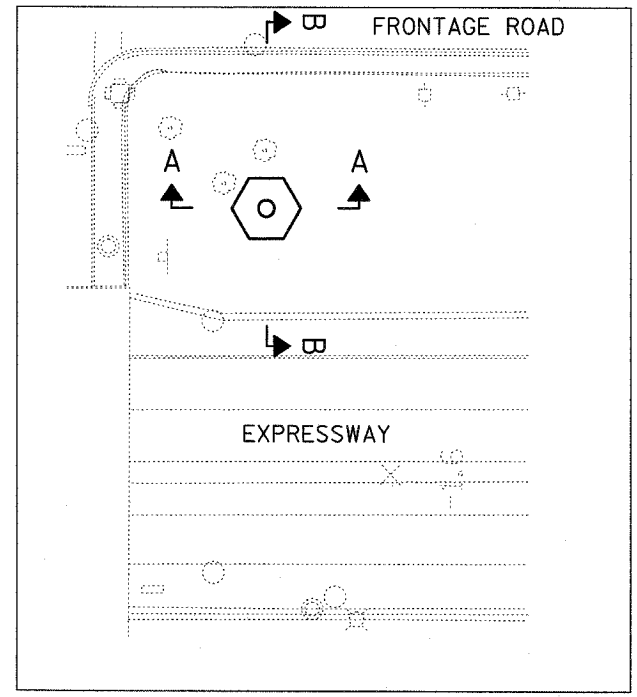
CUT GRADING DETAIL SECTION A-A



FILL GRADING DETAIL SECTION A-A



TYPICAL EARTHWORK DETAIL SECTION B-B



PLAN

REVISIONS	
NAME	DATE

ILLINOIS DEPARTMENT OF TRANSPORTATION  
 F.A.I. 90/94 (DAN RYAN EXPRESSWAY)  
 31st STREET TO I-57

HIGH MAST LIGHT TOWER SERVICE  
 PAD GRADING DETAIL

SCALE: 1"=20'  
 DATE: OCTOBER 29, 2004  
 DRAWN BY: JPA  
 CHECKED BY: JPM, MAG

TYLIN INTERNATIONAL

10/22/2004 06:25:43 AM