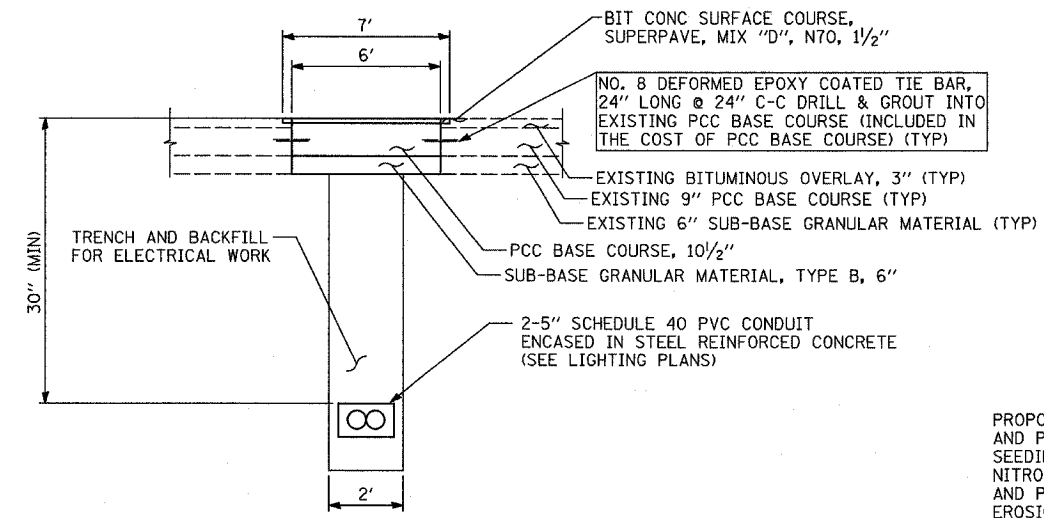
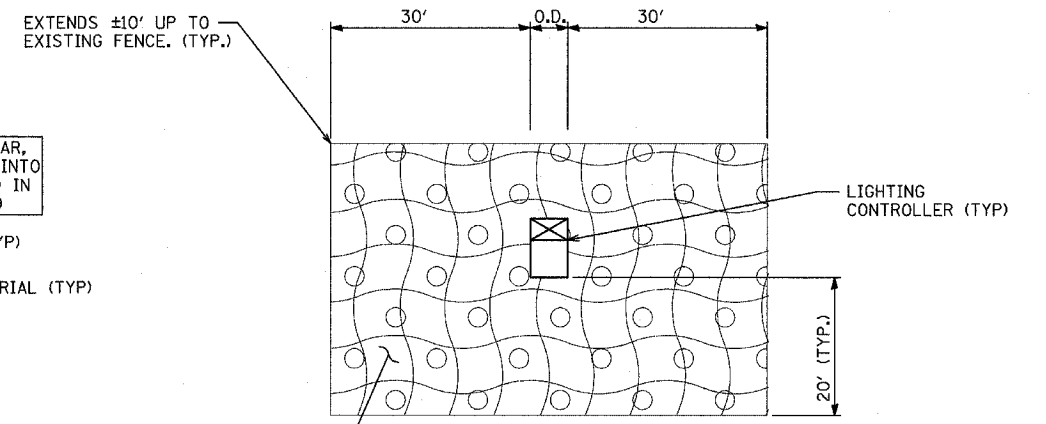


**TYPICAL TRENCH RESTORATION**



**TYPICAL TRENCH RESTORATION IN FRONTAGE ROAD**



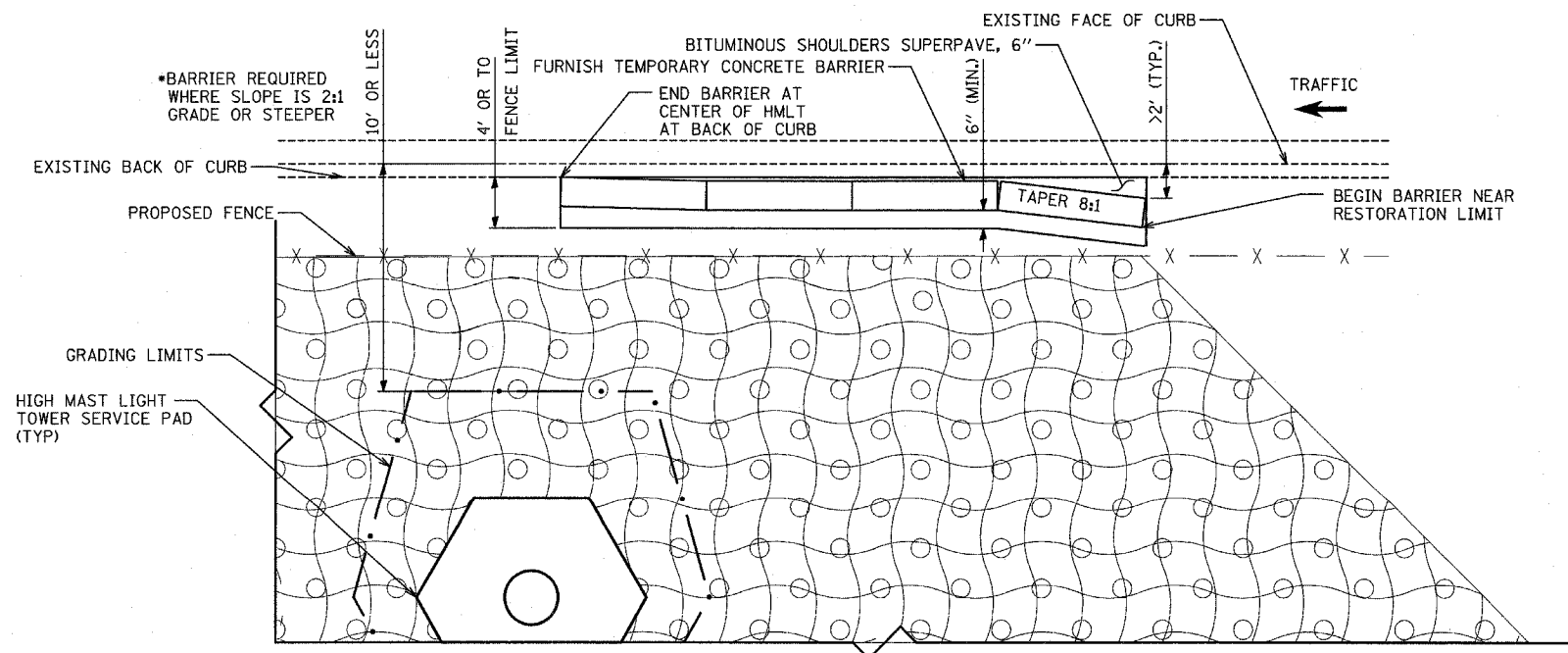
**RESTORATION FOR LIGHTING CONTROLLER**

PROPOSED TOPSOIL, FURNISH AND PLACE, 4", SEEDING, CLASS 2A, NITROGEN, PHOSPHORUS, AND POTASSIUM NUTRIENTS, EROSION CONTROL BLANKET.

**NOTES:**

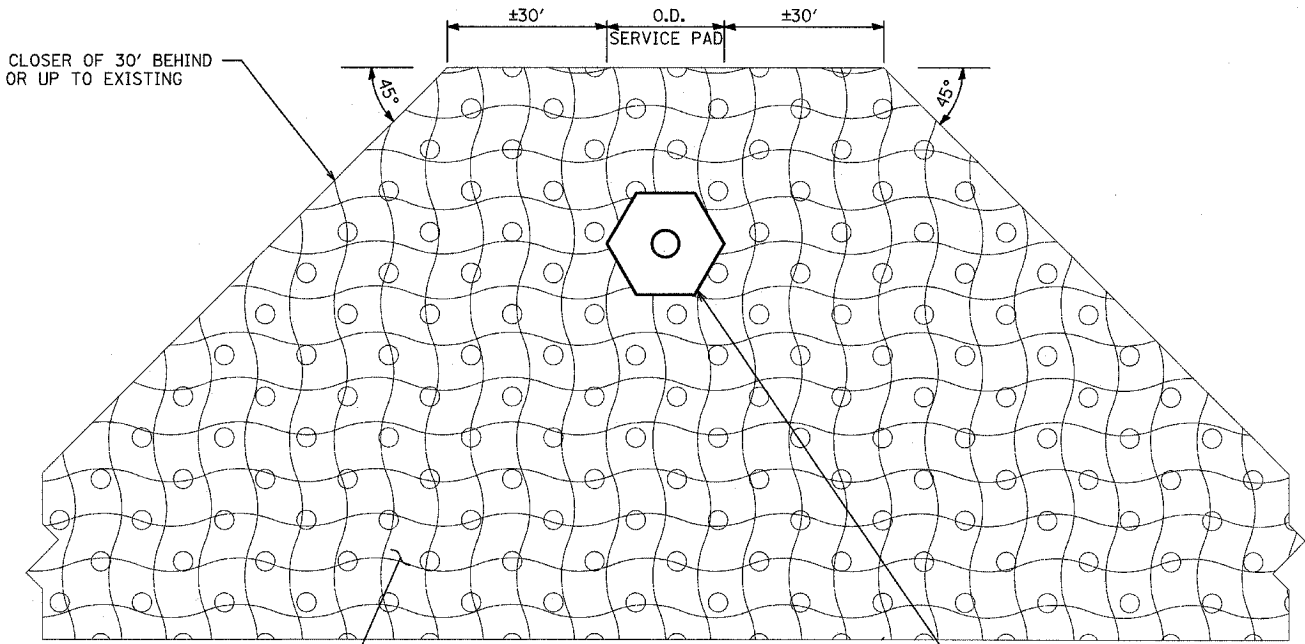
CONTRACTOR WILL NOT BE PAID FOR ANY WORK PERFORMED OUTSIDE OF THE LIMITS SHOWN.

ADDITIONAL QUANTITY FOR TRENCH RESTORATION BETWEEN EROSION CONTROL LIMITS IS INCLUDED IN THE SUMMARY OF QUANTITIES.



**FURNISH TEMPORARY CONCRETE BARRIER FOR HIGH MAST LIGHT TOWER SERVICE PAD**

EXTENDS THE CLOSER OF 30' BEHIND SERVICE PAD OR UP TO EXISTING FENCE. (TYP.)



**RESTORATION FOR HIGH MAST LIGHT TOWER SERVICE PAD**

PROPOSED TOPSOIL, FURNISH AND PLACE, 4", SEEDING, CLASS 2A, NITROGEN, PHOSPHORUS, AND POTASSIUM NUTRIENTS, EROSION CONTROL BLANKET.

| REVISIONS |      |
|-----------|------|
| NAME      | DATE |
|           |      |
|           |      |
|           |      |
|           |      |
|           |      |
|           |      |
|           |      |