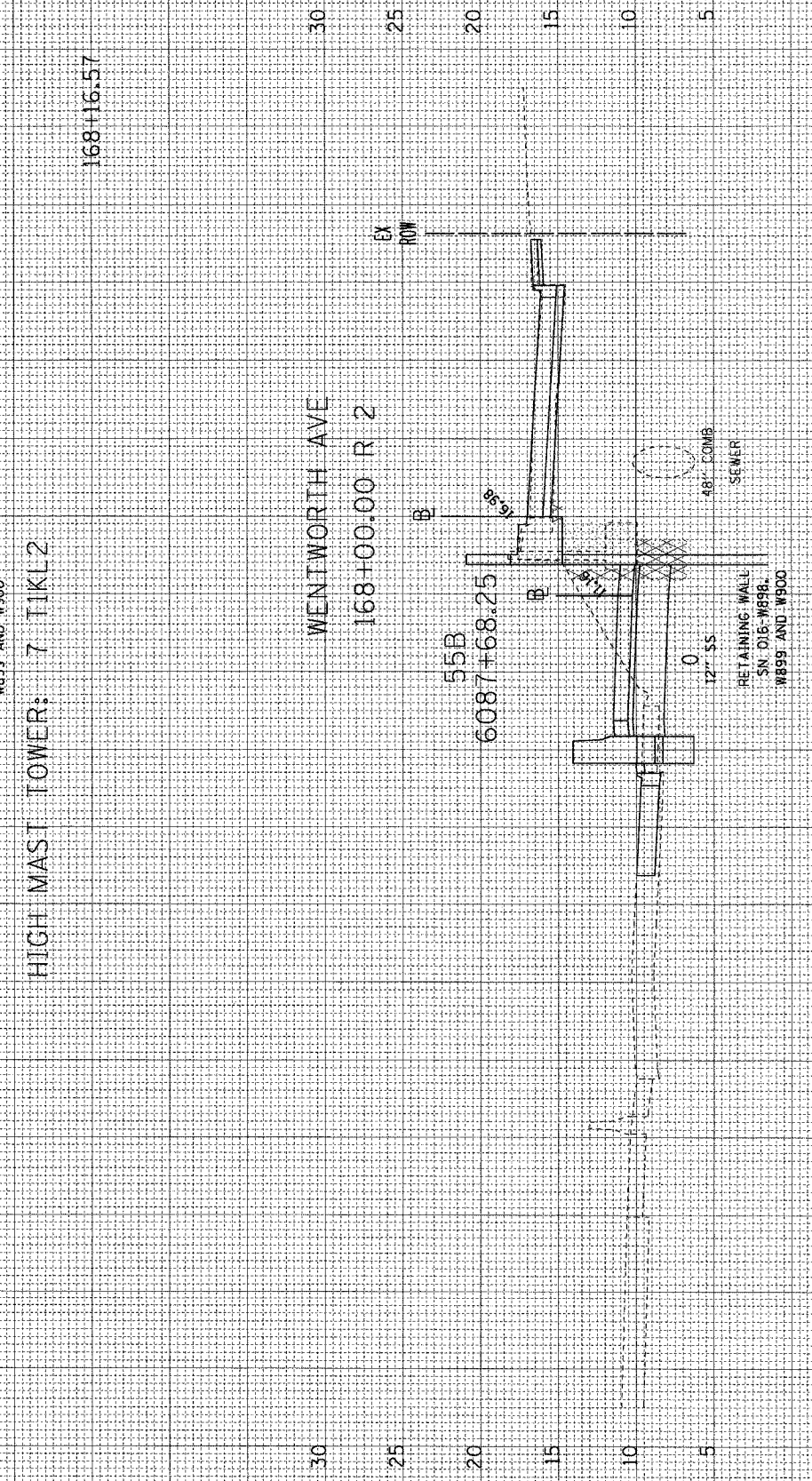
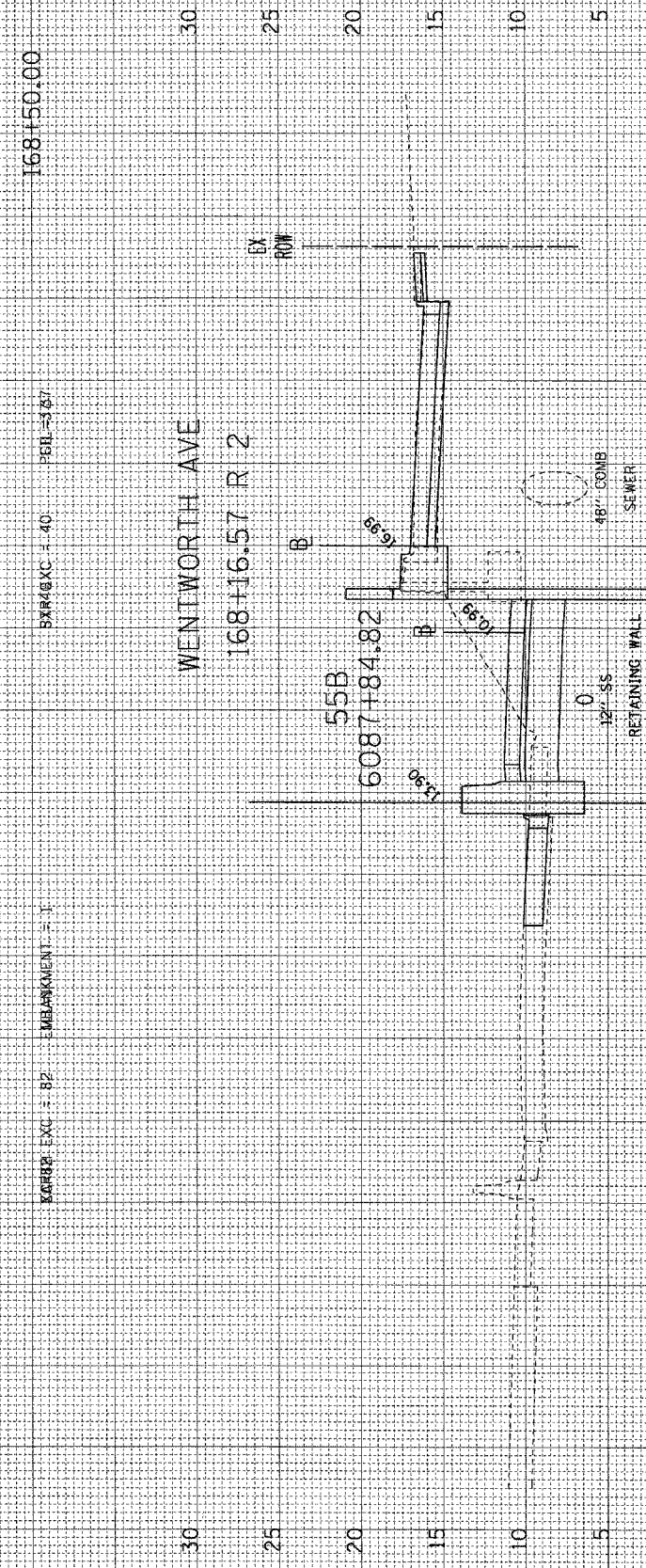
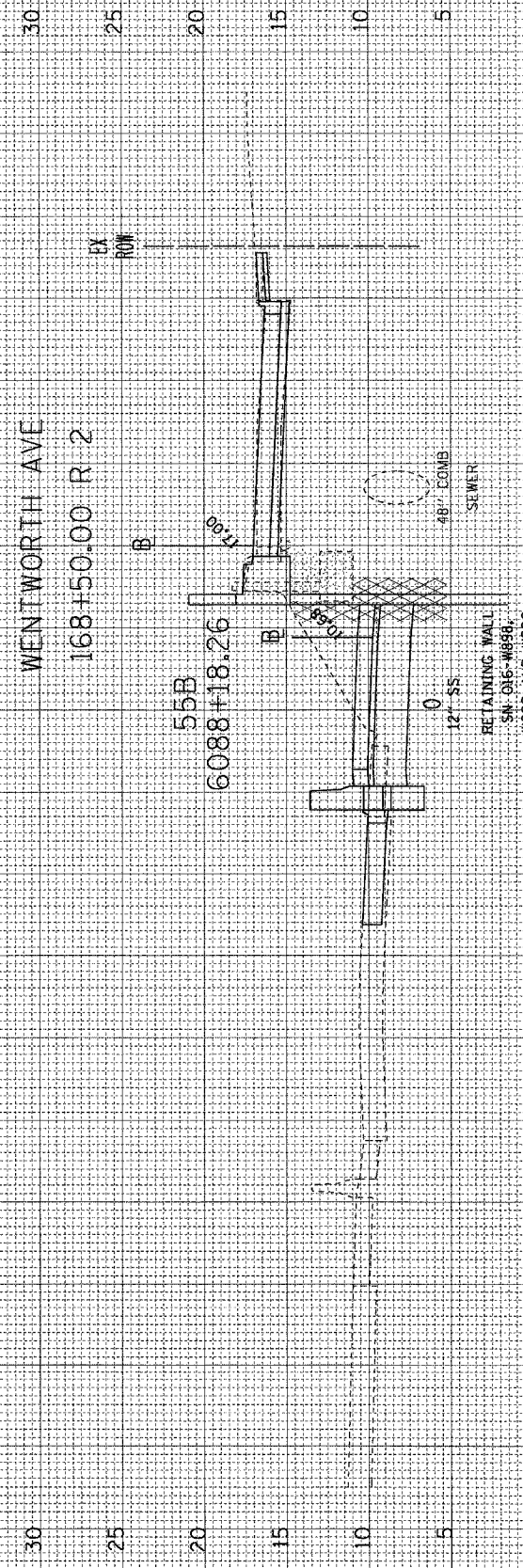


FINAL SURVEY BY DATE
 SURVEYED BY DATE
 TEMPLATE NO.
 AREAS CHECKED

ORIGINAL SURVEY BY DATE
 SURVEYED BY DATE
 TEMPLATE NO.
 AREAS CHECKED

F.A.I. RTE.	SECTION	COUNTY	TOTAL SHEETS	SHEET NO.
90/94	2003-0311	COOK	976	572
62583				
FED. ROAD DIST. NO. 1 ILLINOIS FED. AID PROJECT				



HIGH MAST TOWER: 7 TIKL2