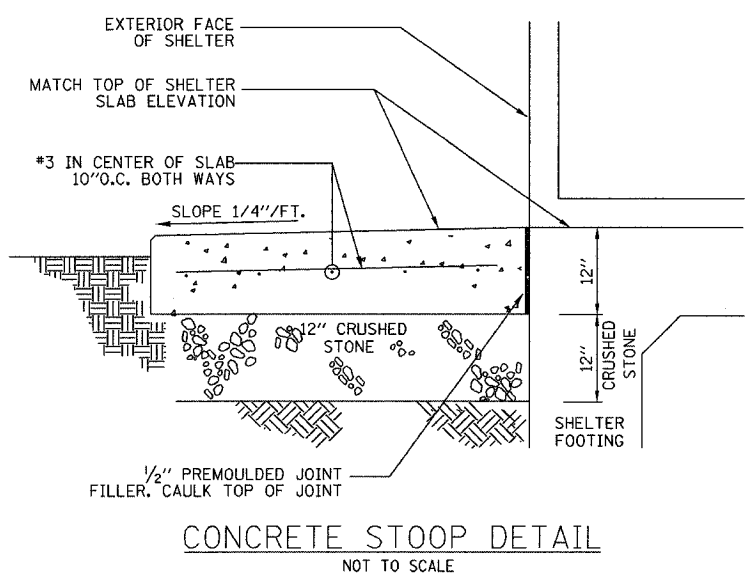
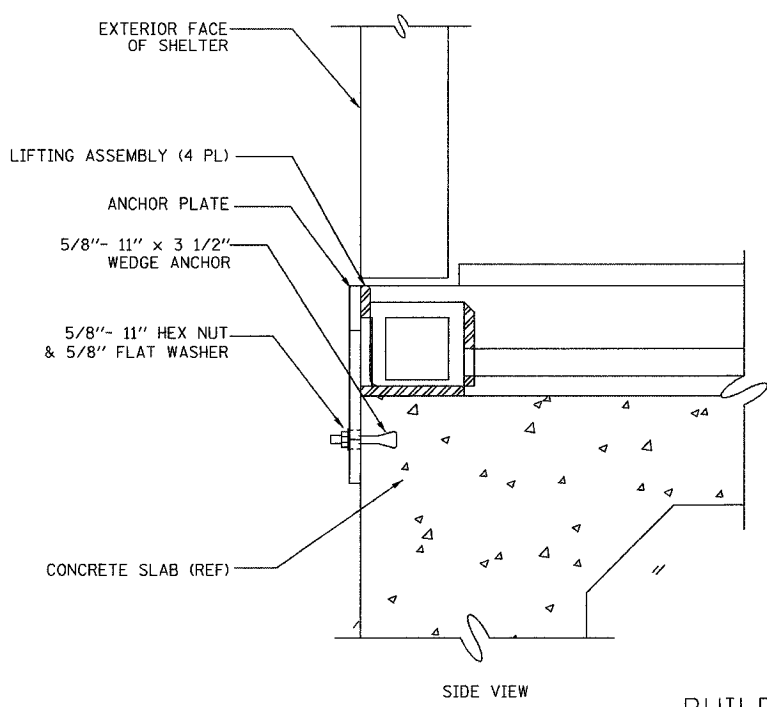


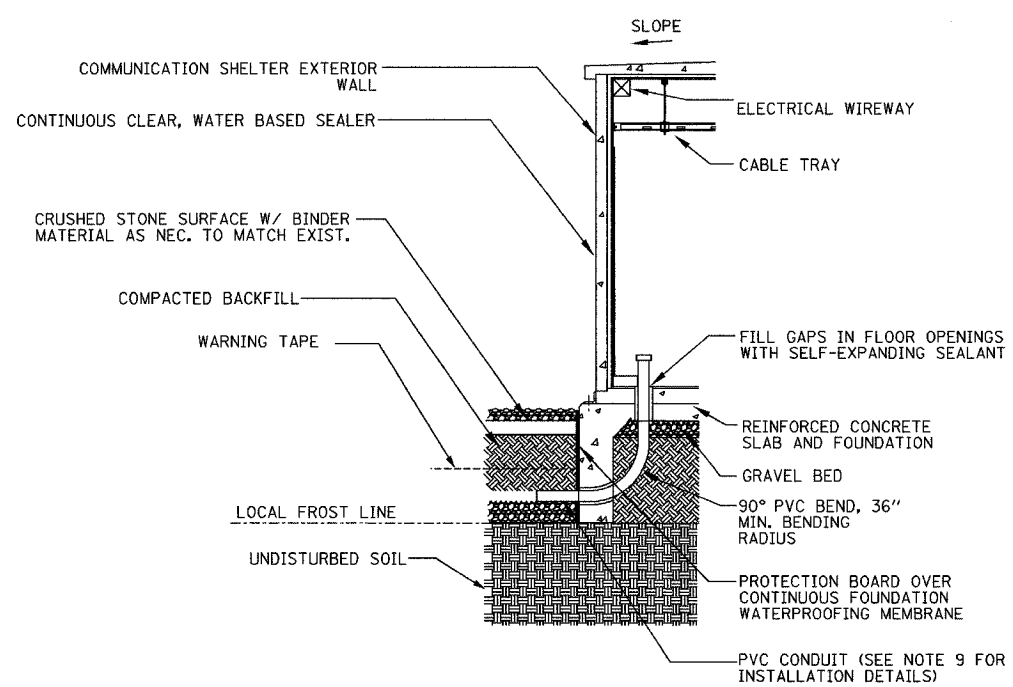
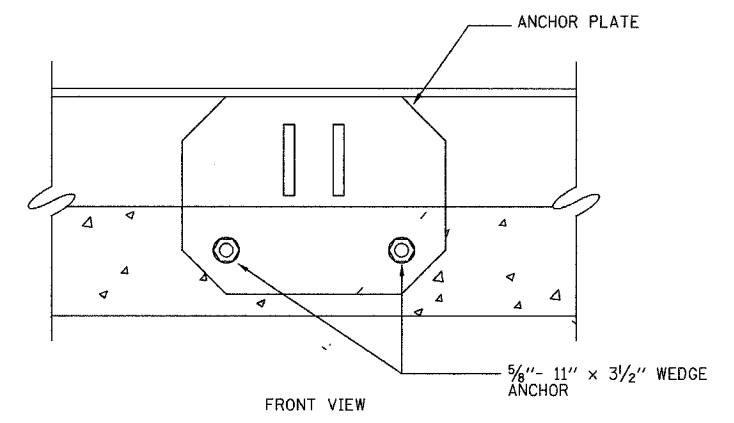
F.A.I. RTE.	SECTION	COUNTY	TOTAL SHEETS	SHEET NO.
94/90	2003-031I	COOK	976	858
STA.	TO STA.			
FED. ROAD DIST. NO.	ILLINOIS	FED. AID PROJECT		
62583				



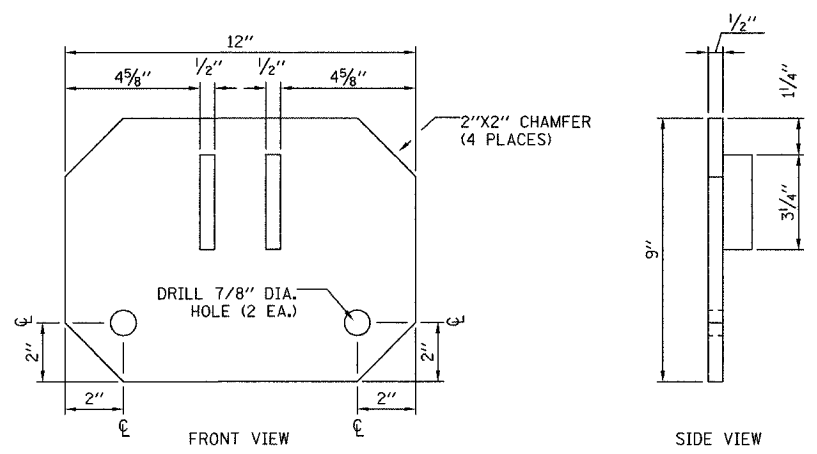
**CONCRETE STOOP DETAIL**  
NOT TO SCALE



**BUILDING ATTACHMENT DETAIL**  
NOT TO SCALE



**CONDUIT ENTRANCE DETAIL**  
NOT TO SCALE



**ANCHOR PLATE DETAIL**  
NOT TO SCALE

- NOTES:**
- FOR ANCHOR PLATES, USE 1/2" THICK A36 STEEL.
  - FINISH: ZINC HOT-DIP GALVANIZED PER ASTM A123.
  - DEBURR ALL SHARP EDGES AND HOLES.
  - ANCHOR PLATES PROVIDED BY SHELTER MANUFACTURER.
  - SURFACING OF FINISHED SLAB SHALL BE LEVEL & FLAT WITHIN +1/4".
  - CONTRACTOR SHALL COORDINATE THE INSTALLATION OF SHELTER ON TO ITS FOUNDATION WITH THE SHELTER FABRICATOR, MAKE ALL CONNECTIONS NECESSARY & INSTALL EQUIPMENT AS INDICATED.
  - IF ROCK IS ENCOUNTERED, CONTACT ENGINEER IMMEDIATELY. DO NOT PROCEED UNTIL ENGINEER ISSUES REVISED FOUNDATION DESIGN BASED ON SUBSURFACE CONDITIONS.
  - COORDINATE CONDUIT ENTRY LOCATION WITH ENGINEER PER SITE PLAN DETAIL SHEET AND COMMUNICATION SHELTER FOUNDATION.

REVISIONS	
NAME	DATE

COMM-92

ILLINOIS DEPARTMENT OF TRANSPORTATION  
F.A.I. 94/90 (DAN RYAN EXPRESSWAY)  
31st STREET to I-57

SHELTER FOUNDATION DETAILS  
(SHEET 2 OF 2)

SCALE: NOT TO SCALE  
DATE: October 29, 2004

DRAWN BY: JM  
CHECKED BY: CS