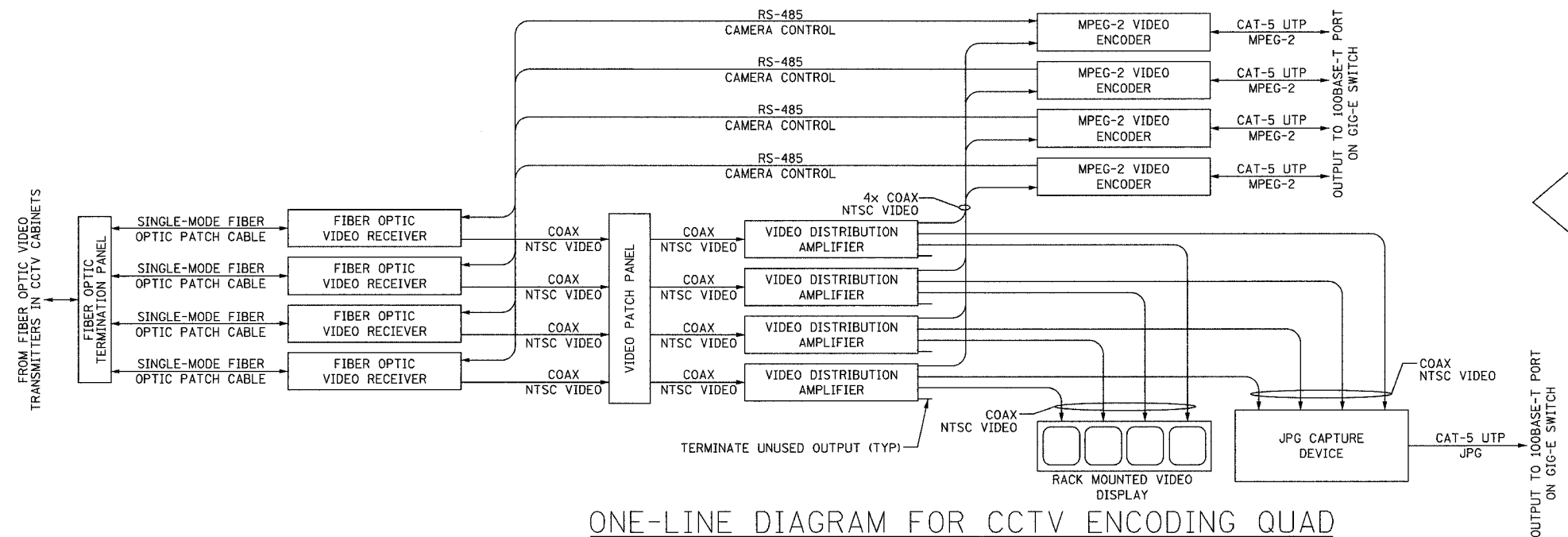


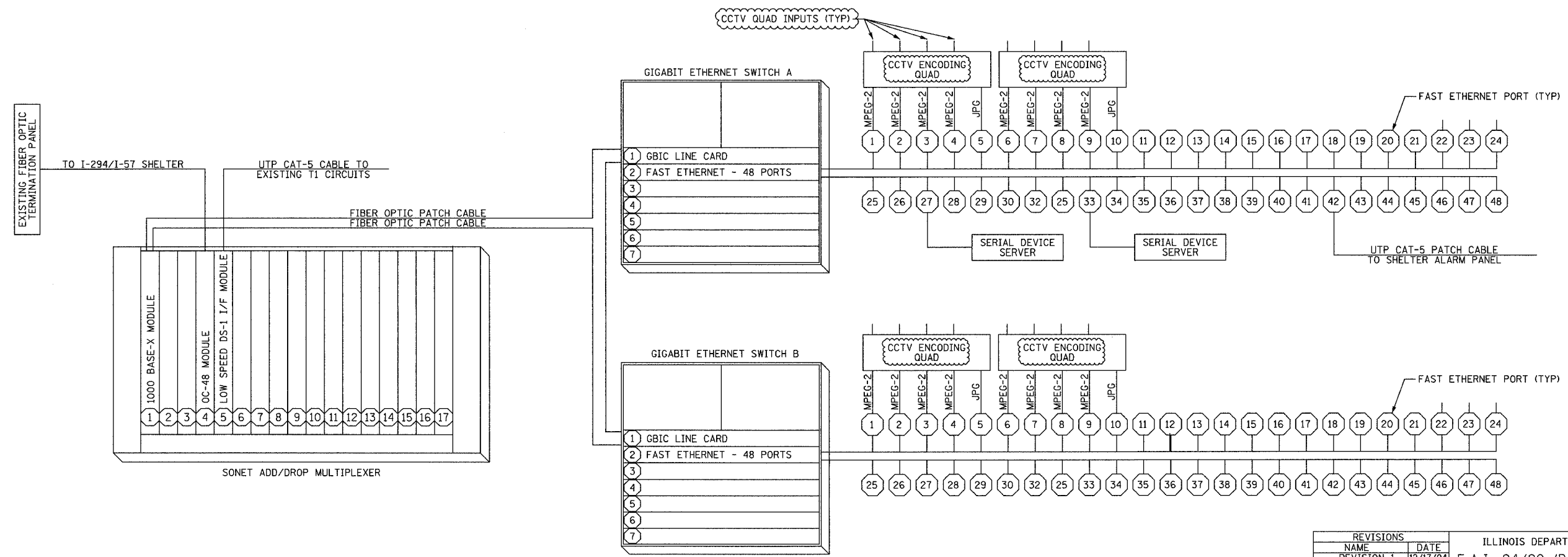
F.A.I. RTE.	SECTION	COUNTY	TOTAL SHEETS	SHEET NO.
94/90	2003-0311	COOK	976	866
STA.	TO STA.			
FED. ROAD DIST. NO.	ILLINOIS	FED. AID PROJECT		
62583				

P:\030019\0311\vis\road\020319.dwg



ONE-LINE DIAGRAM FOR CCTV ENCODING QUAD  
NOT TO SCALE

- NOTES:
1. THIS DRAWING IS FOR REFERENCE ONLY AND PROVIDES AN OVERVIEW OF THE CCTV EQUIPMENT INTERCONNECTS AT THE SHELTER.
  2. CONTRACTOR SHALL PROVIDE NECESSARY POWER CONNECTIONS TO THE EQUIPMENT.
  3. EACH CCTV ENCODING QUAD SHALL BE FULLY EQUIPPED WITH ALL HARDWARE.



EQUIPMENT INTERCONNECT DIAGRAM  
NOT TO SCALE

COMM-100

REVISIONS	
NAME	DATE
REVISION 1	12/17/04

ILLINOIS DEPARTMENT OF TRANSPORTATION  
F.A.I. 94/90 (DAN RYAN EXPRESSWAY)  
31st STREET to I-57

I-94/STATELINE SHELTER  
WIRING DIAGRAM

SCALE: NOT TO SCALE  
DATE: October 29, 2004

DRAWN BY: DHI  
CHECKED BY: JEZ

**Edwards AND Kelcey**  
ONE NORTH FRANKLIN  
CHICAGO, IL 60606  
PHONE: (312) 251-3000  
FAX: (312) 251-3015  
WEB: WWW.EKCORP.COM

12/15/2004 01:51:37 PM