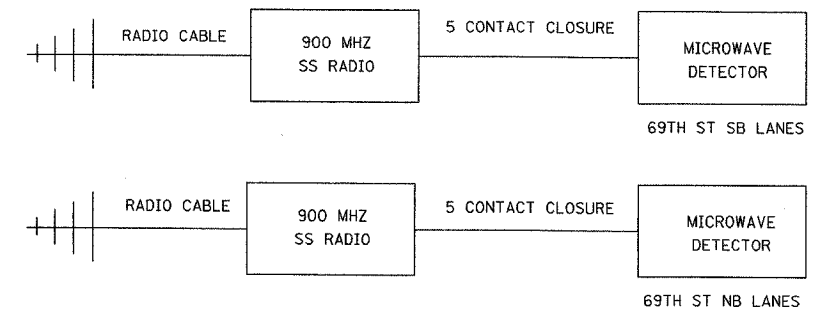
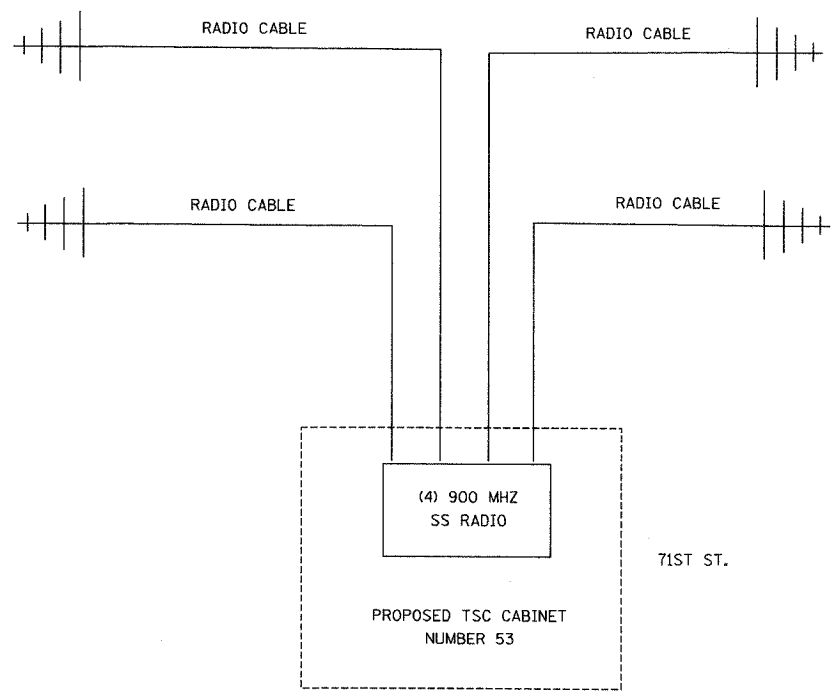
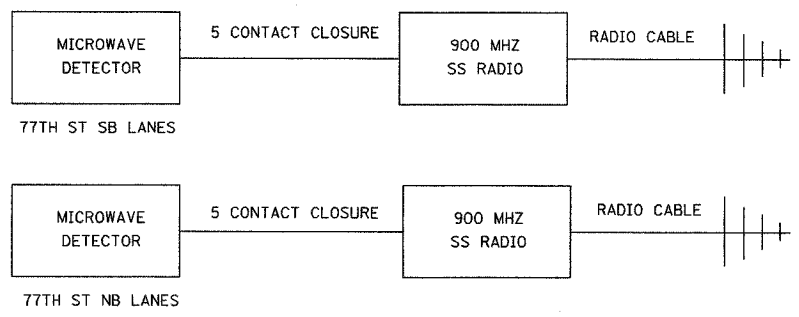
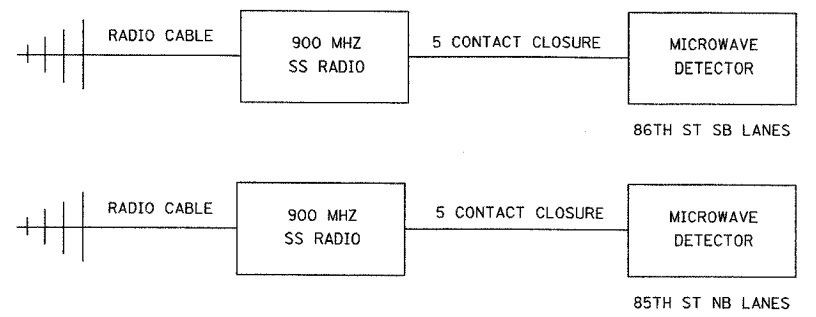
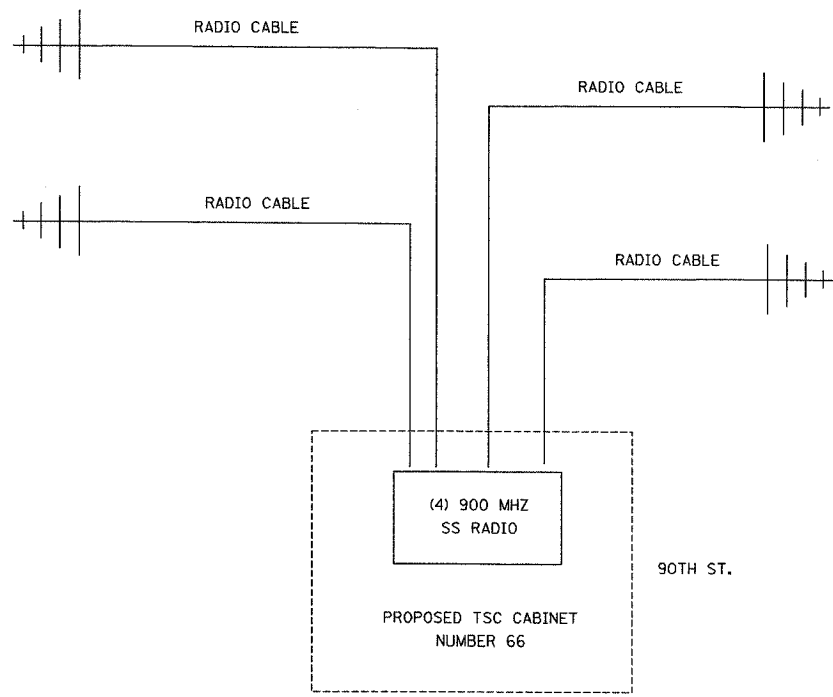
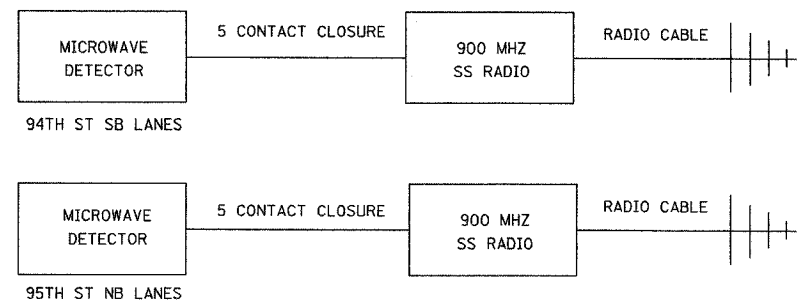


F.A.I. RTE.	SECTION	COUNTY	TOTAL SHEETS	SHEET NO.
94/90	2003-0311	COOK	976	893
STA.		TO STA.		
FED. ROAD DIST. NO. - ILLINOIS		FED. AID PROJECT		
62583				



NOTE:  
1. SEE SHEETS DT-53, DT-54, DT-55 FOR SITE INSTALLATION DETAILS.

REVISIONS	
NAME	DATE

ILLINOIS DEPARTMENT OF TRANSPORTATION  
F.A.I. 94/90 (DAN RYAN EXPRESSWAY)  
31st STREET to I-57  
TEMPORARY DETECTION  
COMMUNICATIONS LAYOUT  
(Sheet 1 of 3)  
SCALE: N.T.S. DRAWN BY: DHI  
DATE: October 29, 2004 CHECKED BY: JEZ

**Edwards AND Kelcey**  
ONE NORTH FRANKLIN  
CHICAGO, IL 60606  
PHONE: (312) 251-3000  
FAX: (312) 251-3015  
WEB: WWW.EKCORP.COM

COMM-127

P:\03009035\1000\020352es17 10/19/2004 01:49:09 PM