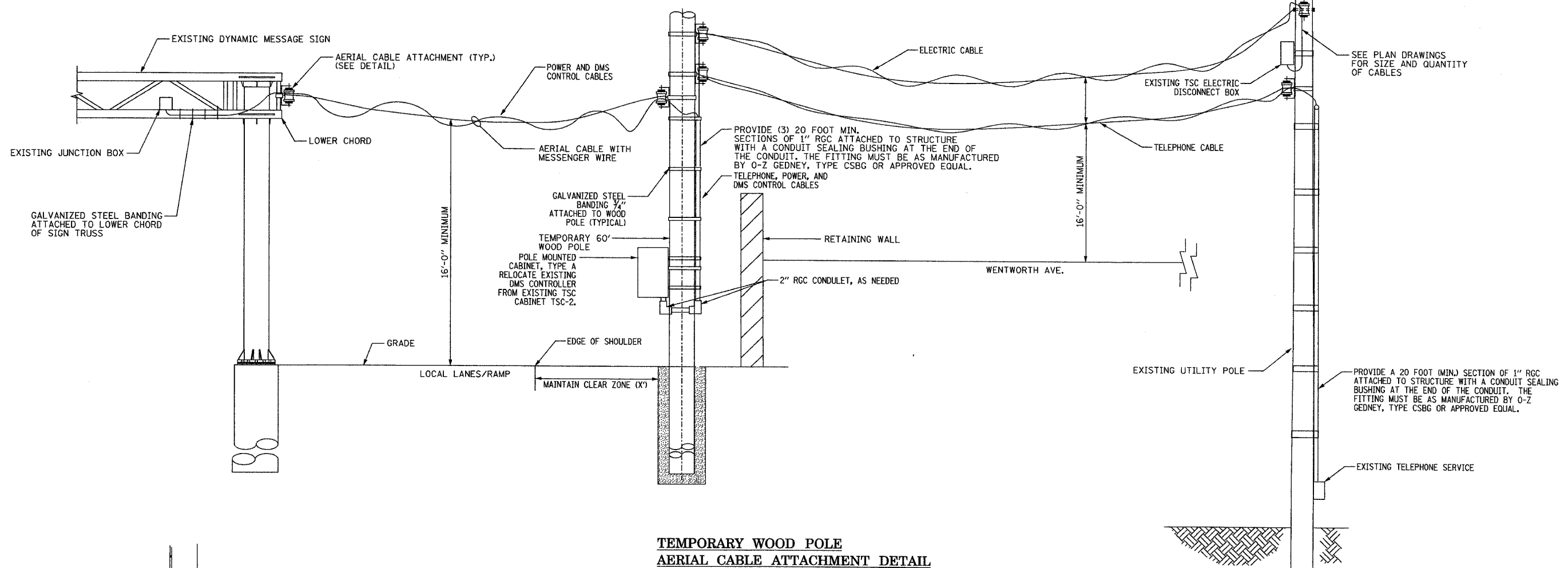


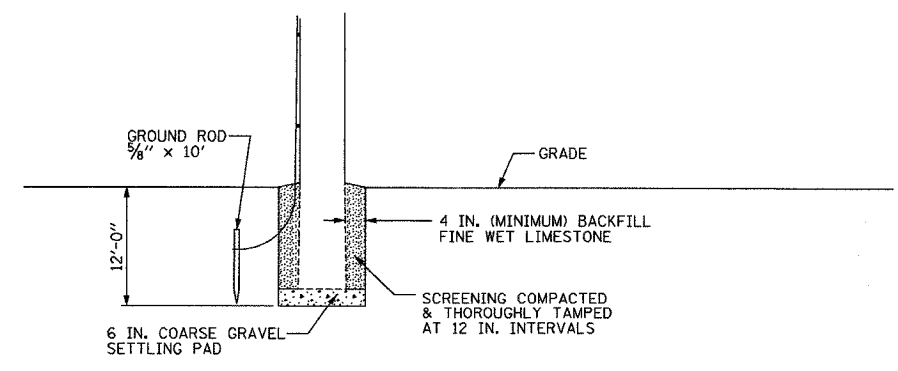
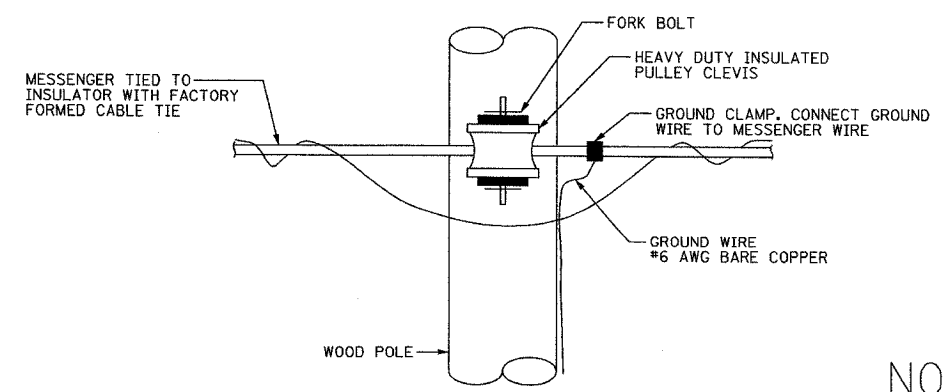
SECTION	COUNTY	TOTAL SHEETS	SHEET NO.
2003-0311	COOK	976	106
STA.	TO STA.		
FED. ROAD DIST. NO.	ILLINOIS	FED. AID PROJECT	
62583			

- NOTES:**
- SEE DRAWINGS ME-01 AND ME-02 FOR ELECTRICAL SYMBOLS AND ABBREVIATIONS.
  - ALL WORK SHOWN WILL BE INCLUDED WITH THE COST OF THE AERIAL CABLE.
  - HEAVY DUTY INSULATED PULLEY CLEVIS AND CLAMPS MAY BE SUBSTITUTED WITH OTHER EQUIPMENT AND MOUNTING METHOD UPON APPROVAL FROM THE ENGINEER.
  - SEE PLAN DRAWINGS FOR CABLE SIZE AND QUANTITY OF CABLE.
  - MAINTAIN EXISTING DMS UNTIL NEW DMS LOCATED APPROX. 450' NORTH OF EXISTING IS OPERATIONAL.

**TEMPORARY CONNECTION TO SIGN STRUCTURE DETAIL**



**TEMPORARY WOOD POLE  
AERIAL CABLE ATTACHMENT DETAIL**



**FOUNDATION DETAIL**

**Edwards  
AND Kelcey**  
ONE NORTH FRANKLIN  
CHICAGO, IL 60606  
PHONE: (312) 251-3000  
FAX: (312) 251-3015  
WEB: WWW.EKCORP.COM

NOT TO SCALE

REVISIONS	DATE
NAME	

ILLINOIS DEPARTMENT OF TRANSPORTATION  
F.A.I. 94/90 (DAN RYAN EXPRESSWAY)  
31st STREET TO I-57  
TEMPORARY POWER FEED TO  
DYNAMIC MESSAGE SIGN DETAIL  
(57TH STREET)

SCALE: NOT TO SCALE  
DATE: October 29, 2004

DRAWN BY: CJH  
CHECKED BY: DH

DT-11

10/15/2004 03:37:42 PM