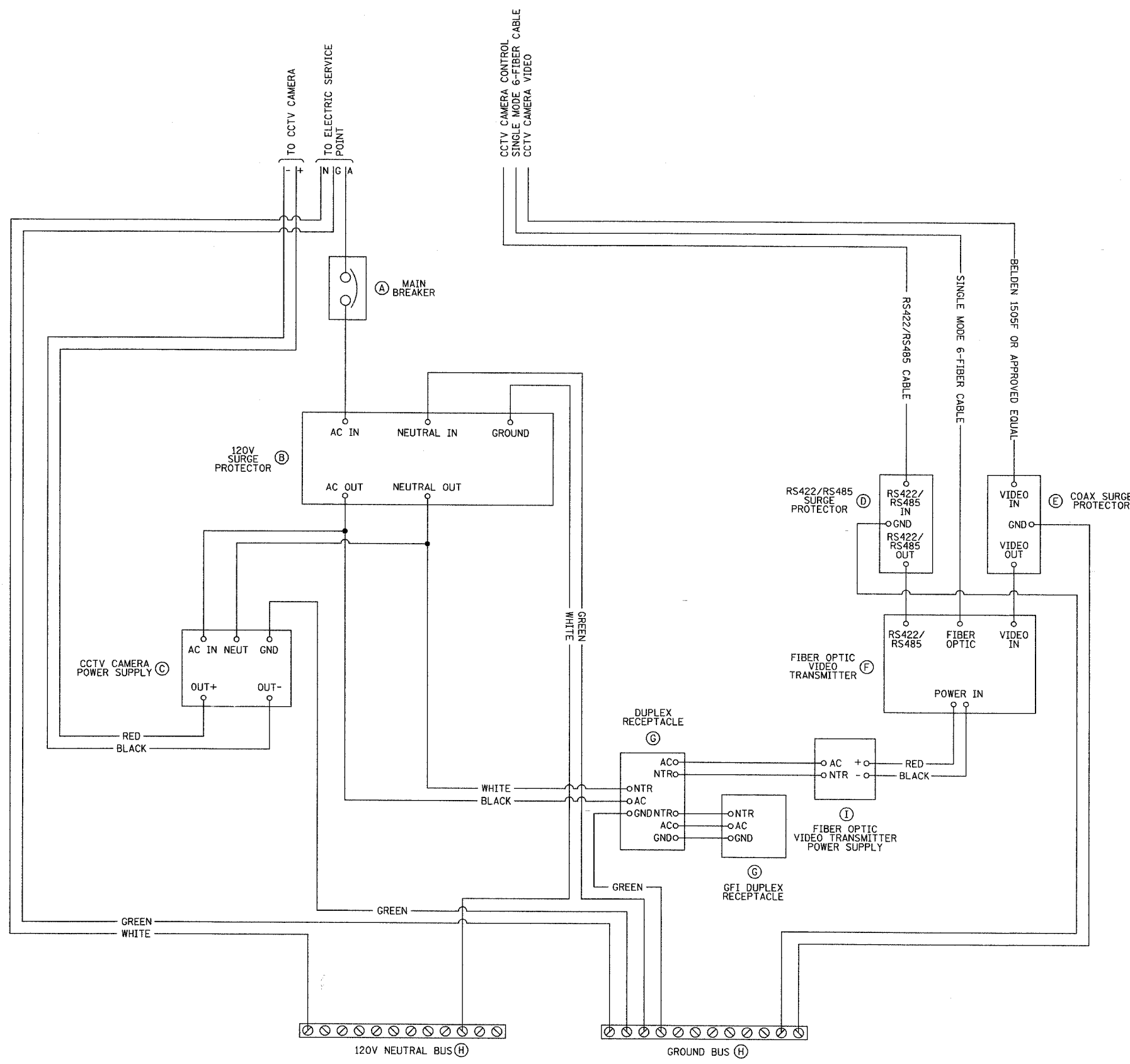


SECTION	COUNTY	TOTAL SHEETS	SHEET NO.
2003-0311	COOK	976	918
STA.	TO STA.		
FED. ROAD DIST. NO. - ILLINOIS FED. AID PROJECT			
62583			



ITEM NO.	QTY	DESCRIPTION
A	1	MAIN CIRCUIT BREAKER 2 POLE 15 AMP
B	1	120 VAC FILTERING SURGE PROTECTOR
C	1	24 VAC CCTV CAMERA POWER SUPPLY
D	1	RS422/RS485 SURGE PROTECTOR
E	1	VIDEO COAX CABLE SURGE PROTECTOR
F	1	FIBER OPTIC VIDEO TRANSMITTER
G	1	QUAD OUTLET WITH ONE GFI DUPLEX RECEPTACLE AND ONE NON-GFI DUPLEX RECEPTACLE
H	2	COPPER GROUND AND NEUTRAL BUS
I	1	12 VDC FIBER OPTIC VIDEO TRANSMITTER POWER SUPPLY

DT-14

**Edwards  
AND Kelcey**  
ONE NORTH FRANKLIN  
CHICAGO, IL 60606  
PHONE: (312) 251-3000  
FAX: (312) 251-3015  
WEB: WWW.EDKORP.COM

REVISIONS	
NAME	DATE

ILLINOIS DEPARTMENT OF TRANSPORTATION  
F.A.I. 94/90 (DAN RYAN EXPRESSWAY)  
31st STREET to I-57  
CLOSED CIRCUIT TELEVISION  
CABINET COMMUNICATIONS  
AND WIRING DIAGRAMS  
(SHEET 2 OF 2)  
SCALE: NOT TO SCALE  
DATE: October 29, 2004  
DRAWN BY: DHI  
CHECKED BY: JEZ

P:\030019\035\11s\cadd\102042a.dwg 10/14/2004 09:24:09 AM