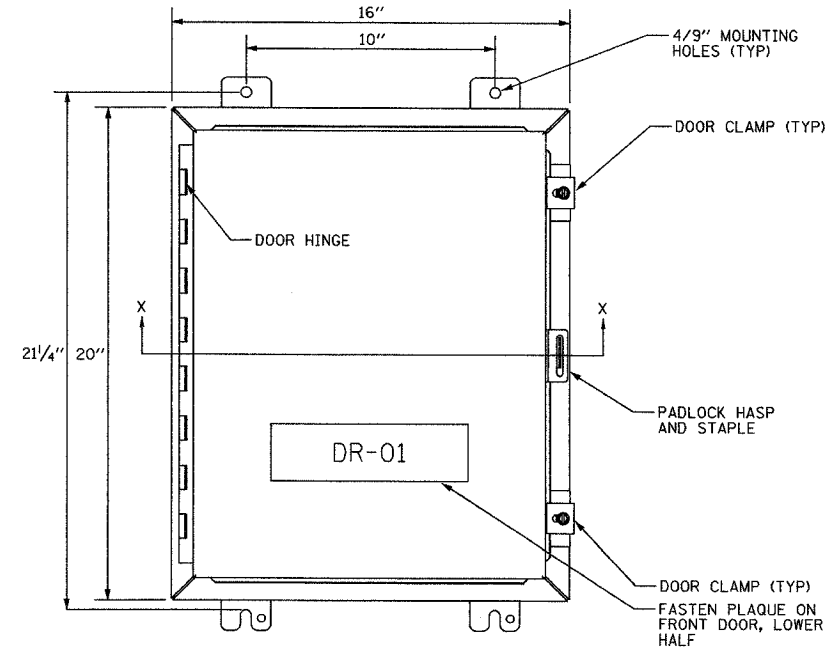
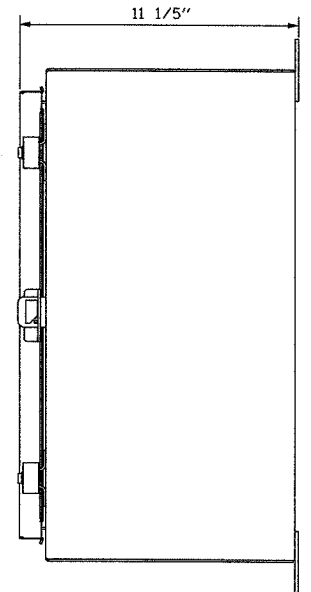


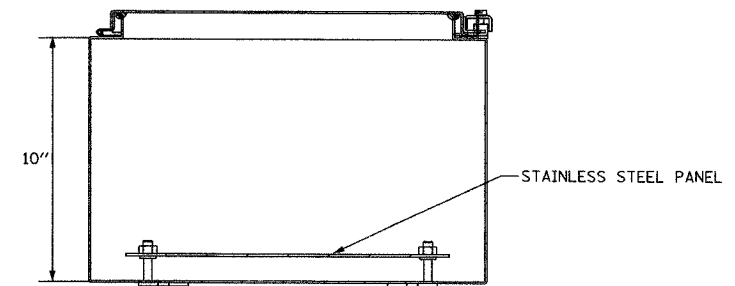
SECTION	COUNTY	TOTAL SHEETS	SHEET NO.
2003-0311	COOK	976	919
STA. TO STA.		ILLINOIS FED. AID PROJECT	
62583			



FRONT VIEW

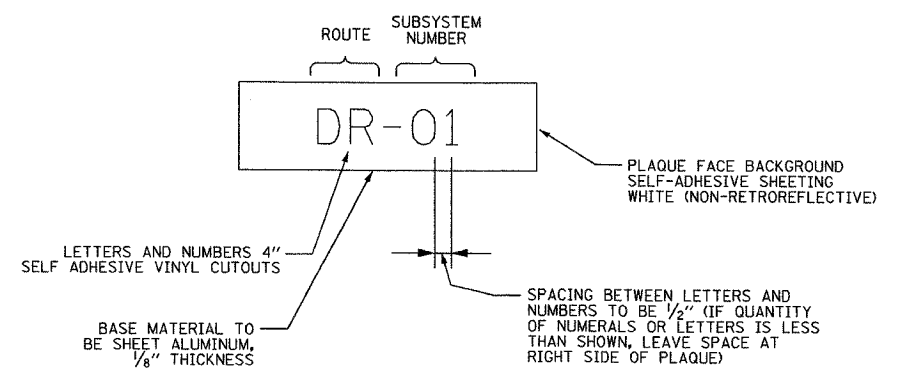


SIDE VIEW



SECTION X-X

CCTV CABINET
DETAIL



CCTV CABINET
IDENTIFICATION PLAQUE DETAIL

CCTV LEGEND
 DR - CLOSED CIRCUIT TELEVISION (DAN RYAN)
 CH - CLOSED CIRCUIT TELEVISION (I-57/CHEVY)
 BF - CLOSED CIRCUIT TELEVISION (BISHOP FORD)

- NOTES:**
1. THE CCTV CABINET SHALL BE MOUNTED ON THE SIDE OF HIGH MAST LIGHT TOWER AT LOCATIONS INDICATED ON THE PLANS.
 2. CCTV CABINET SHALL BE A HOFFMAN ENCLOSURES MODEL A-20H1610SSLP OR ELECTROMATE MODEL E-20H1610SSS OR APPROVED EQUAL.
 3. SUBSYSTEM NUMBERING SCHEME TO FOLLOW CABINET IDENTIFICATION NUMBERS SHOWN ON THE CCTV SUBSYSTEM SHEETS. CONTRACTOR SHALL VERIFY NUMBERING SCHEME FOR EACH CABINET WITH THE ENGINEER BEFORE PROCURING AND INSTALLING THE IDENTIFICATION PLAQUES.

DT-15

Edwards AND Kelcey
 ONE NORTH FRANKLIN
 CHICAGO, IL 60606
 PHONE: (312) 251-3000
 FAX: (312) 251-3015
 WEB: WWW.EKCORP.COM

REVISIONS	
NAME	DATE

ILLINOIS DEPARTMENT OF TRANSPORTATION
 F.A.I. 94/90 (DAN RYAN EXPRESSWAY)
 31st STREET to I-57
 CLOSED CIRCUIT TELEVISION
 CABINET DETAILS
 SCALE: NOT TO SCALE
 DATE: October 29, 2004
 DRAWN BY: DHI
 CHECKED BY: JEZ

P:\030019\030019.dwg 10/14/2004 09:24:09 AM