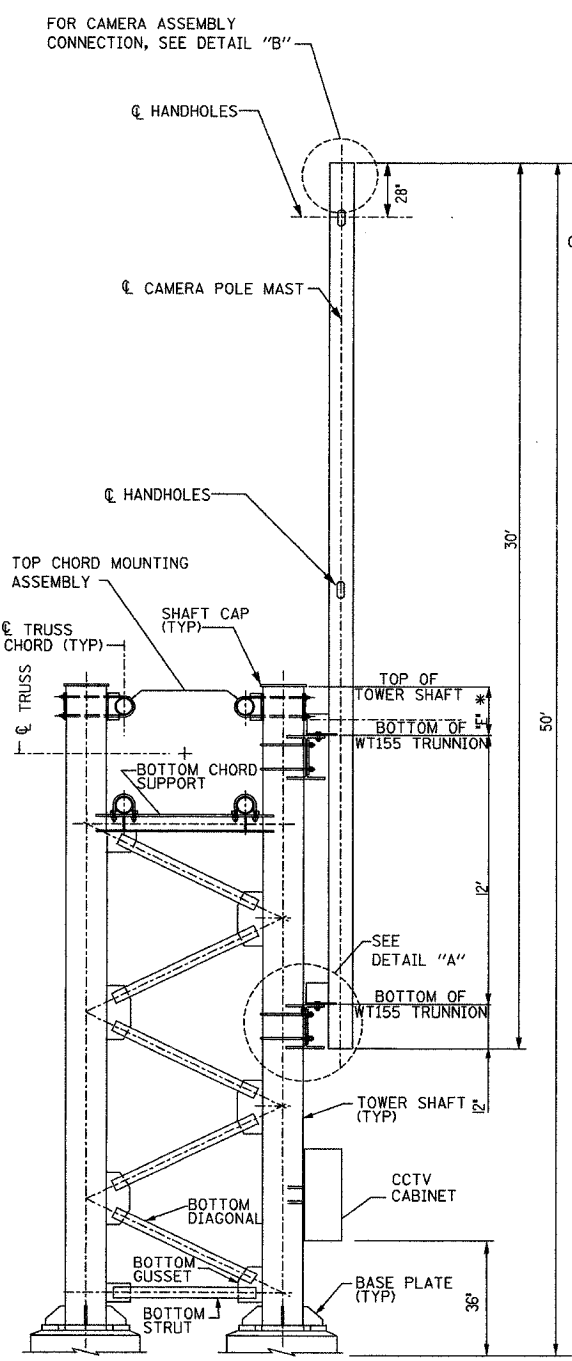
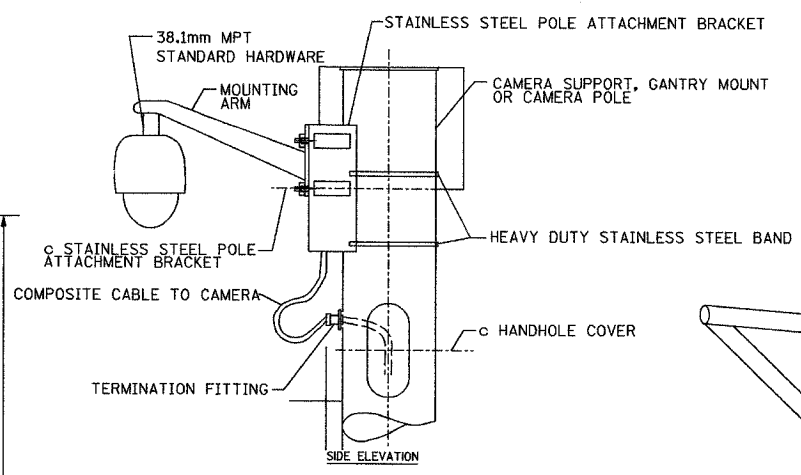


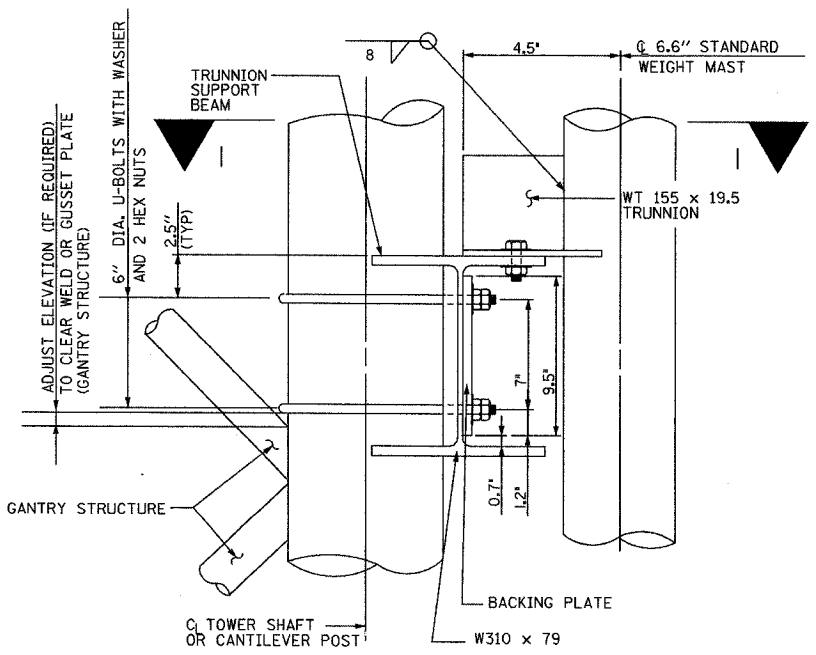
F.A.I. RTE.	SECTION	COUNTY	TOTAL SHEETS	SHEET NO.
94/90	2003-0311	COOK	976	420
STA.		TO STA.		
FED. ROAD DIST. NO.		ILLINOIS FED. AID PROJECT		
62583				



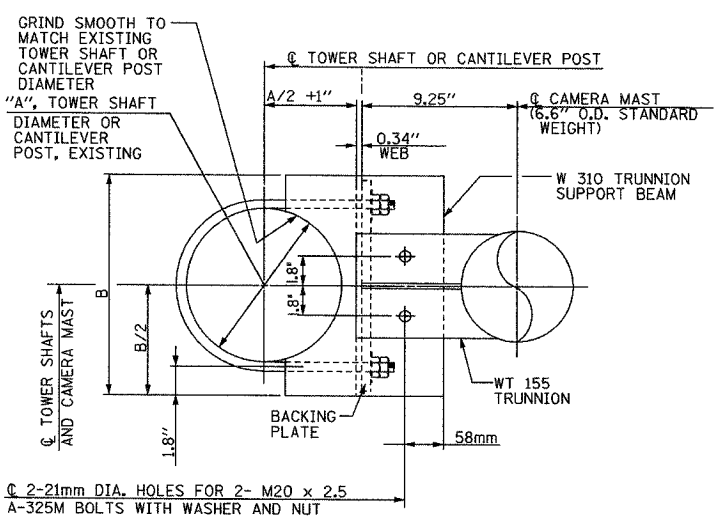
ELEVATION
GANTRY STRUCTURE TYPE I
DUAL TRUSS POST



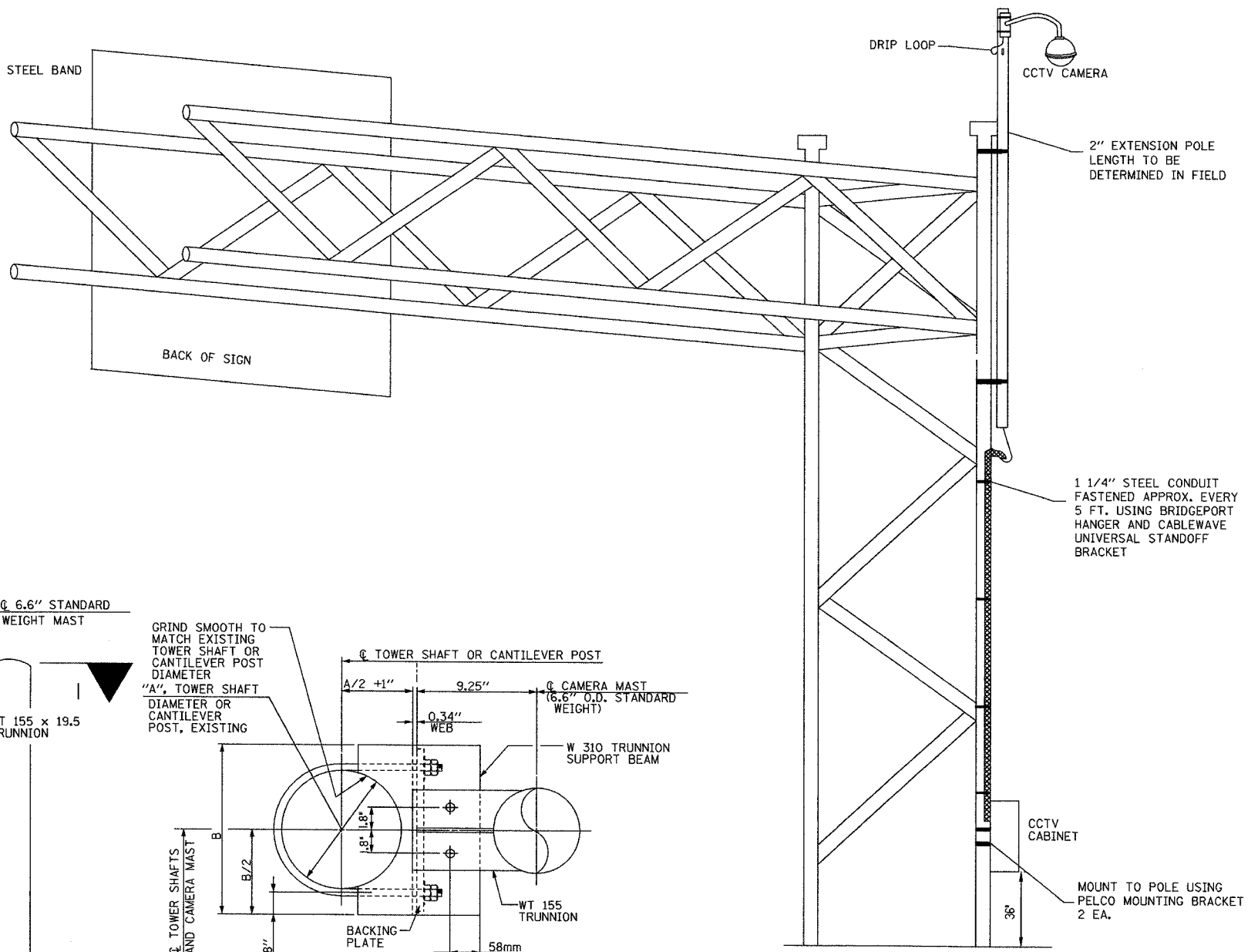
DETAIL B



DETAIL A
SCALE 1/8"



SECTION I-I
SCALE 1/8"



DT-16

NOTE:
1. FOR CCTV CABINET COMMUNICATIONS AND WIRING DIAGRAM SEE DT-13 THRU DT-15.

Edwards AND Kelcey
ONE NORTH FRANKLIN
CHICAGO, IL 60606
PHONE: (312) 251-3000
FAX: (312) 251-3015
WEB: WWW.EKCORP.COM

REVISIONS	
NAME	DATE

ILLINOIS DEPARTMENT OF TRANSPORTATION
F.A.I. 94/90 (DAN RYAN EXPRESSWAY)
31st STREET to I-57

CCTV CAMERA INSTALLATION
ON EXISTING SIGN STRUCTURE

SCALE: 1"=50'
DATE: October 29, 2004

DRAWN BY: SD
CHECKED BY: MJL

09/24/09 AM 10/14/2004