

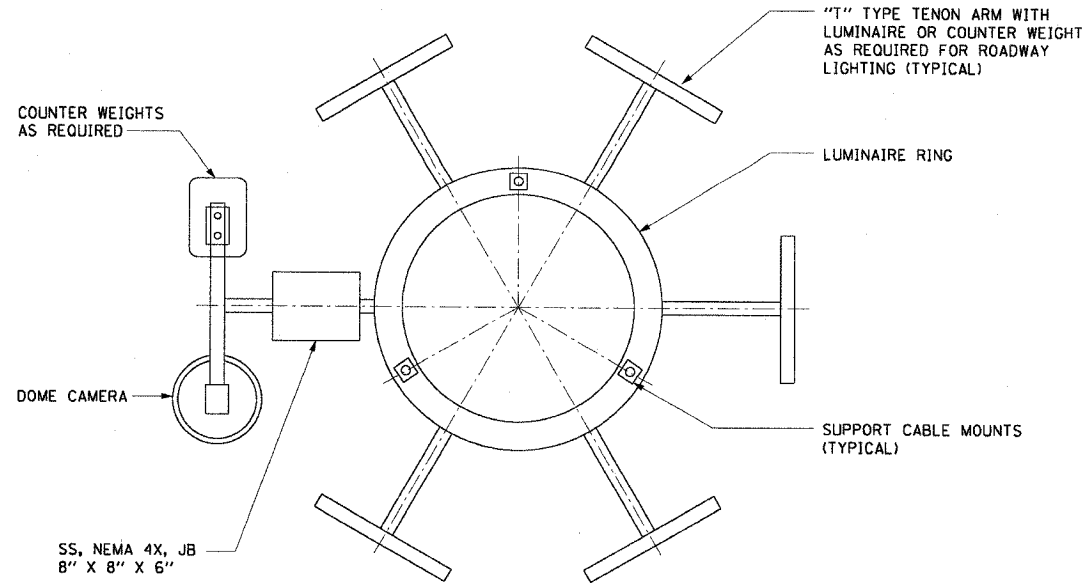
F.A.I. RTE.	SECTION	COUNTY	TOTAL SHEETS	SHEET NO.
90/94	2003-G311	COOK	976	921
STA.		TO STA.		
FED. ROAD DIST. NO. 1		ILLINOIS FED. AID PROJECT		

62583

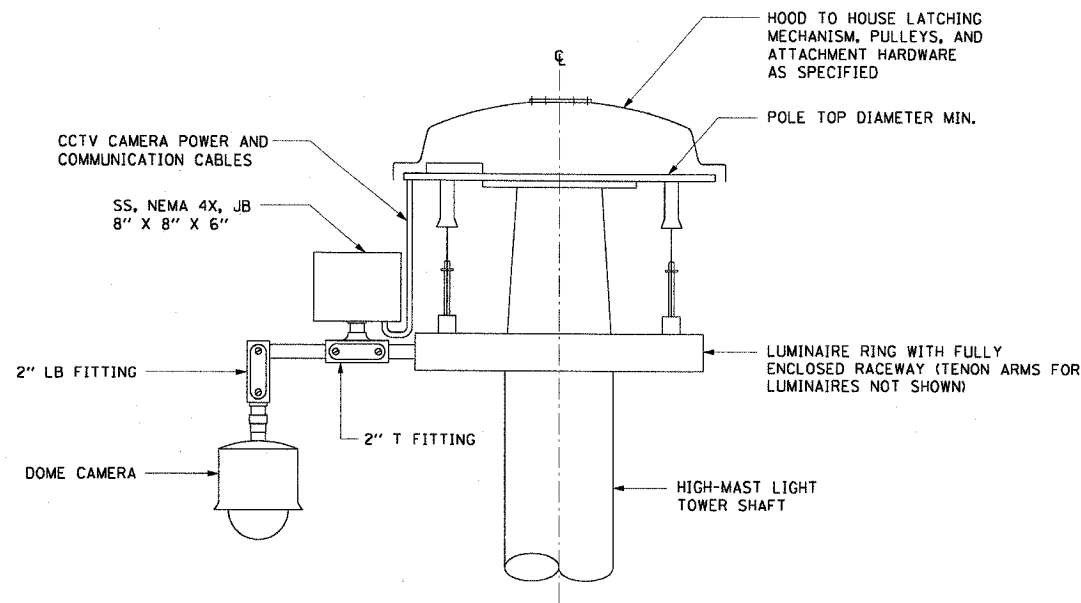
NOTES:

1. SEE SHEETS CCTV-01 THROUGH CCTV-34 FOR PROPOSED CCTV CAMERAS LOCATIONS.
2. HANDHOLE SHALL BE POSITIONED FACING AWAY FROM ONCOMING TRAFFIC.
3. CABINET SHALL BE BOLTED TO MOUNTING CHANNELS. SEE DRAWING DT-15 FOR CABINET DETAILS.
4. BACK OF CABINET SHALL BE PENETRATED TO ACCEPT CONDUIT STUBS IN LIGHT TOWER. ALL PENETRATIONS SHALL BE MADE WATERTIGHT.

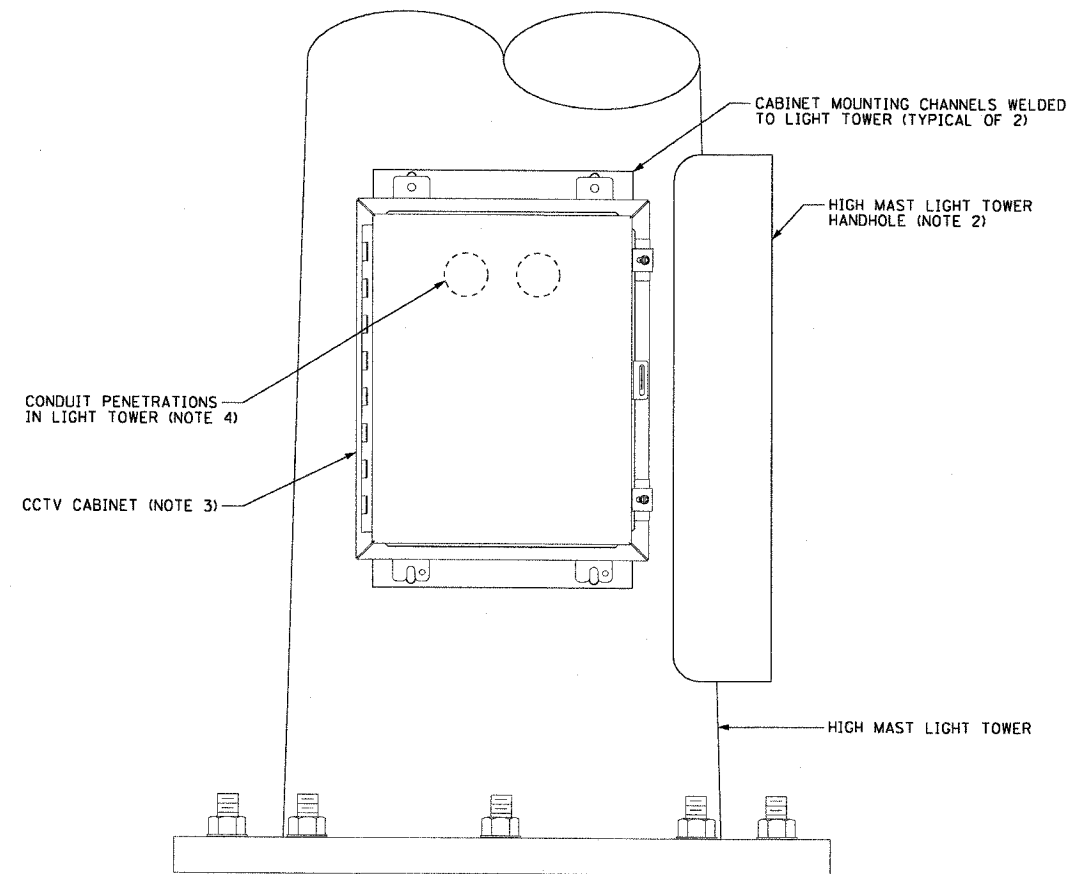
DAN RYAN EXPRESSWAY



DOME CAMERA PLAN VIEW
NOT TO SCALE



CAMERA MOUNTING DETAIL
NOT TO SCALE



CABINET MOUNTING DETAIL
NOT TO SCALE

REVISIONS	
NAME	DATE