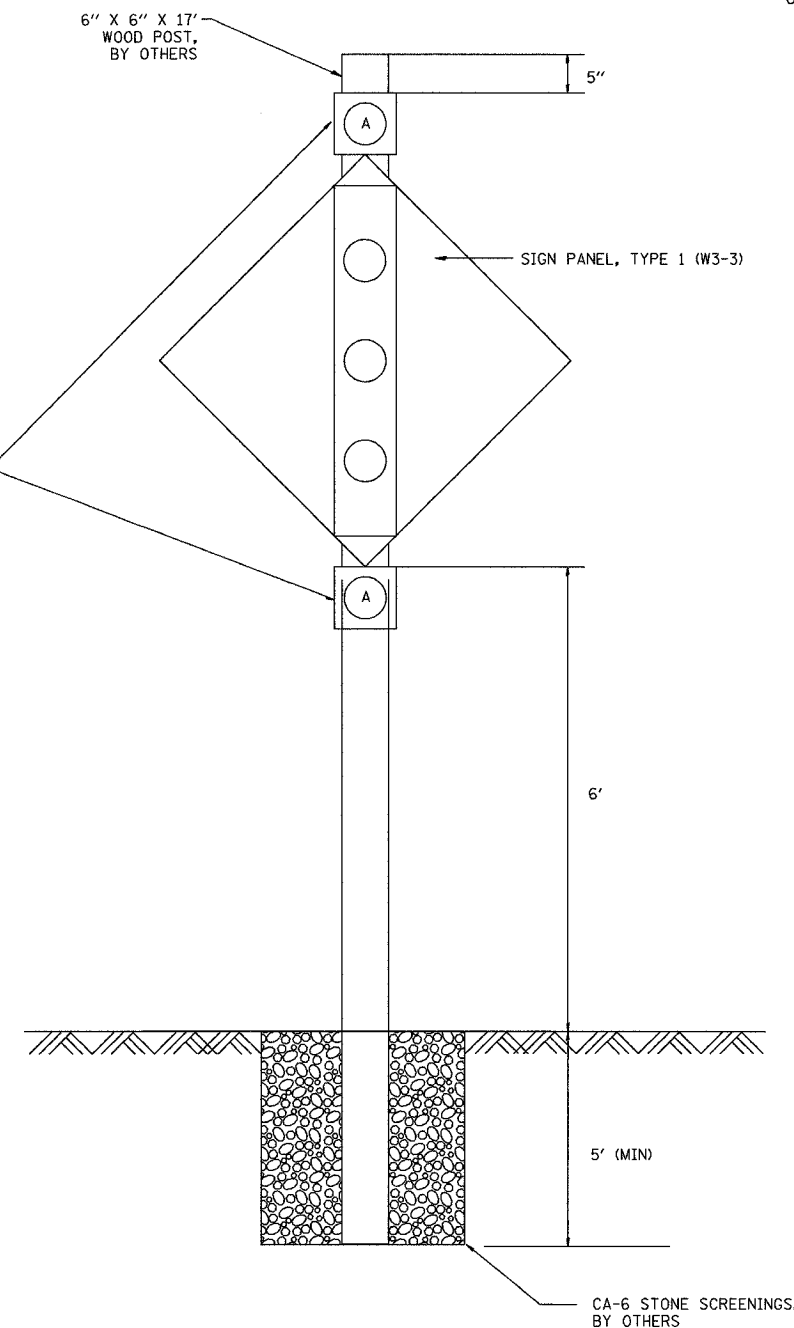
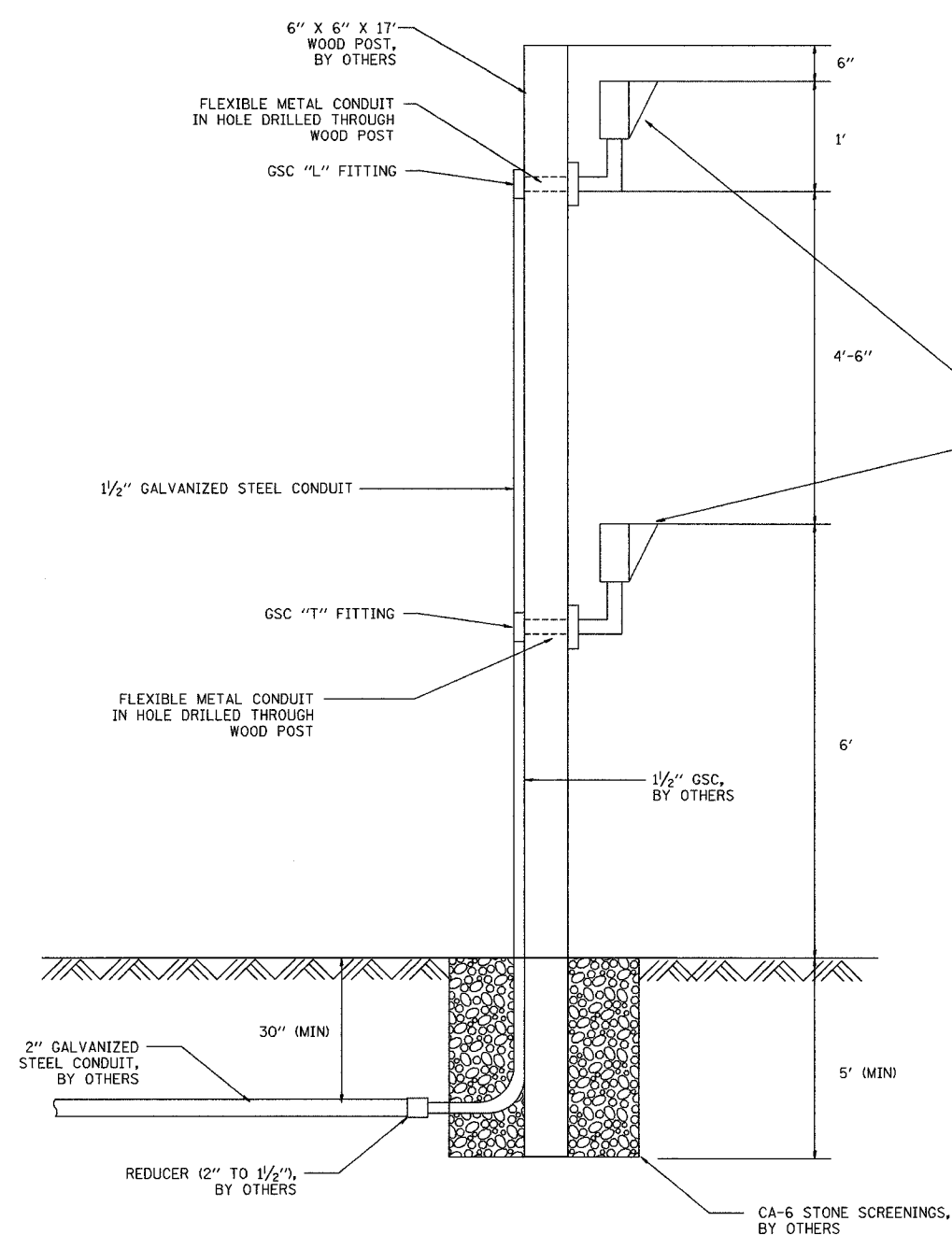


SECTION	COUNTY	TOTAL SHEETS	SHEET NO.
2003-031I	COOK	976	941
STA.	TO STA.		
FED. ROAD DIST. NO. 62583	ILLINOIS FED. AID PROJECT		



NOTES:

- SIGN WILL BE PLACED BETWEEN THE FLASHING BEACONS ON THE FRONT FACE OF WOOD POST. THE AREA WHERE THE SIGN IS TO BE INSTALLED (4'-6" DIMENSION) MUST BE KEPT FREE OF CONDUIT AND CONNECTIONS TO PREVENT INTERFERENCE WITH SIGN PLACEMENT.
- FOR WOOD POST INSTALLATION DETAILS, SEE SECTION 730 OF THE STANDARD SPECIFICATIONS (WOOD POST TO BE INSTALLED BY OTHERS).
- A CLEAR LAMP SPECIALLY DESIGNED FOR TRAFFIC SIGNAL SERVICE SHALL BE RATED AT 54 WATTS, 120 VOLTS.
- CONTRACTOR SHALL SUBMIT DETAILED SHOP DRAWINGS FOR THE RAMP METER FLASHER AND SIGN MOUNTING HARDWARE FOR APPROVAL BY THE ENGINEER.
- FOR RAMP METER FLASHER INSTALLATIONS NEAR TEMPORARY BARRIER WALL, THE WOOD POST SHALL BE INSTALLED (BY OTHERS) BETWEEN THE BARRIER AND THE IMPACT ATTENUATOR (WITH SUFFICIENT ROOM PROVIDED FOR INSTALLATION OF THE 1/2 INCH CONDUIT).

DT-35

REVISIONS	
NAME	DATE

ILLINOIS DEPARTMENT OF TRANSPORTATION
F.A.I. 94/90 (DAN RYAN EXPRESSWAY)
31st STREET to I-57

RAMP METER
FLASHER DETAIL

SCALE: NTS
DATE: October 29, 2004
DRAWN BY: MJL
CHECKED BY: CTC

**Edwards
AND Kelcey**
ONE NORTH FRANKLIN
CHICAGO, IL 60606
PHONE: (312) 251-3000
FAX: (312) 251-3015
WEB: WWW.EKCORP.COM

11/23/2004 10:50:53 AM