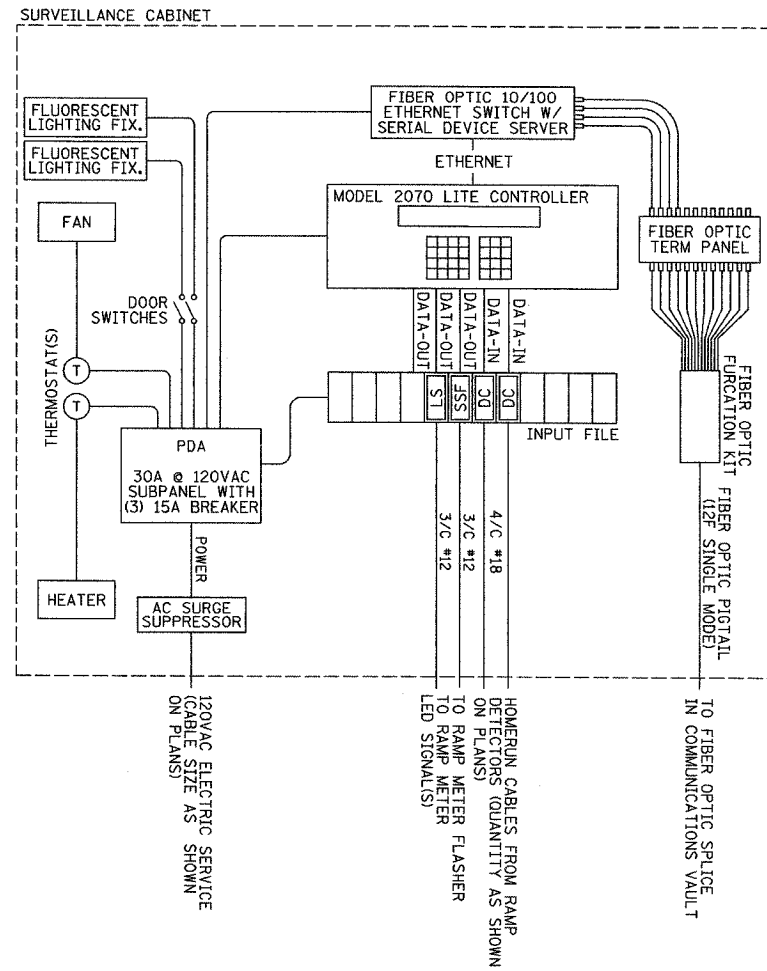
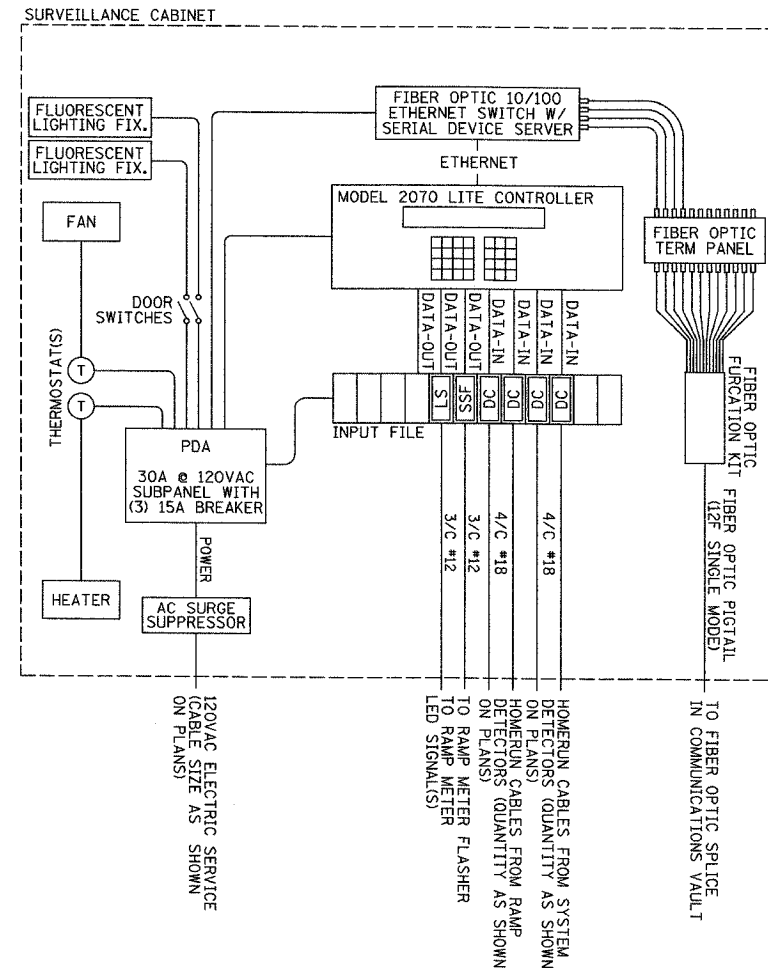


SYSTEM DETECTOR
SINGLE LINE DIAGRAM (TYPICAL)
NOT TO SCALE



RAMP METERING
SINGLE LINE DIAGRAM (TYPICAL)
NOT TO SCALE



RAMP METERING/SYSTEM DETECTOR
SINGLE LINE DIAGRAM (TYPICAL)
NOT TO SCALE

Edwards AND Kelcey
ONE NORTH FRANKLIN
CHICAGO, IL 60606
PHONE: (312) 251-3000
FAX: (312) 251-3015
WEB: WWW.EKCORP.COM

ABBREVIATIONS
DC DETECTOR CARD
LS LOAD SWITCH
SSF SOLID STATE FLASHER

REVISIONS	
NAME	DATE

ILLINOIS DEPARTMENT OF TRANSPORTATION
F.A.I. 94/90 (DAN RYAN EXPRESSWAY)
31st STREET to I-57
CABINET, MODEL 334 - WIRING DETAILS
AND SCHEMATIC (SHEET 1 OF 3)
SCALE: NOT TO SCALE
DATE: October 29, 2004
DRAWN BY: DHI
CHECKED BY: JEZ

DT-39

10/14/2004 09:24:30 AM