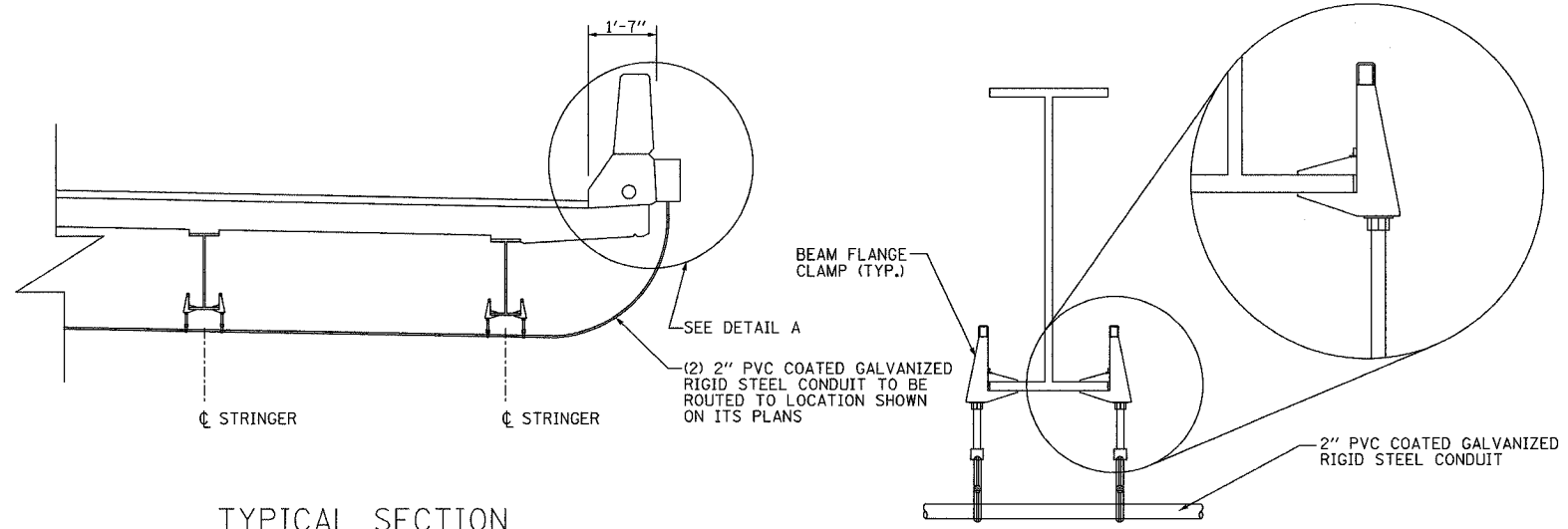


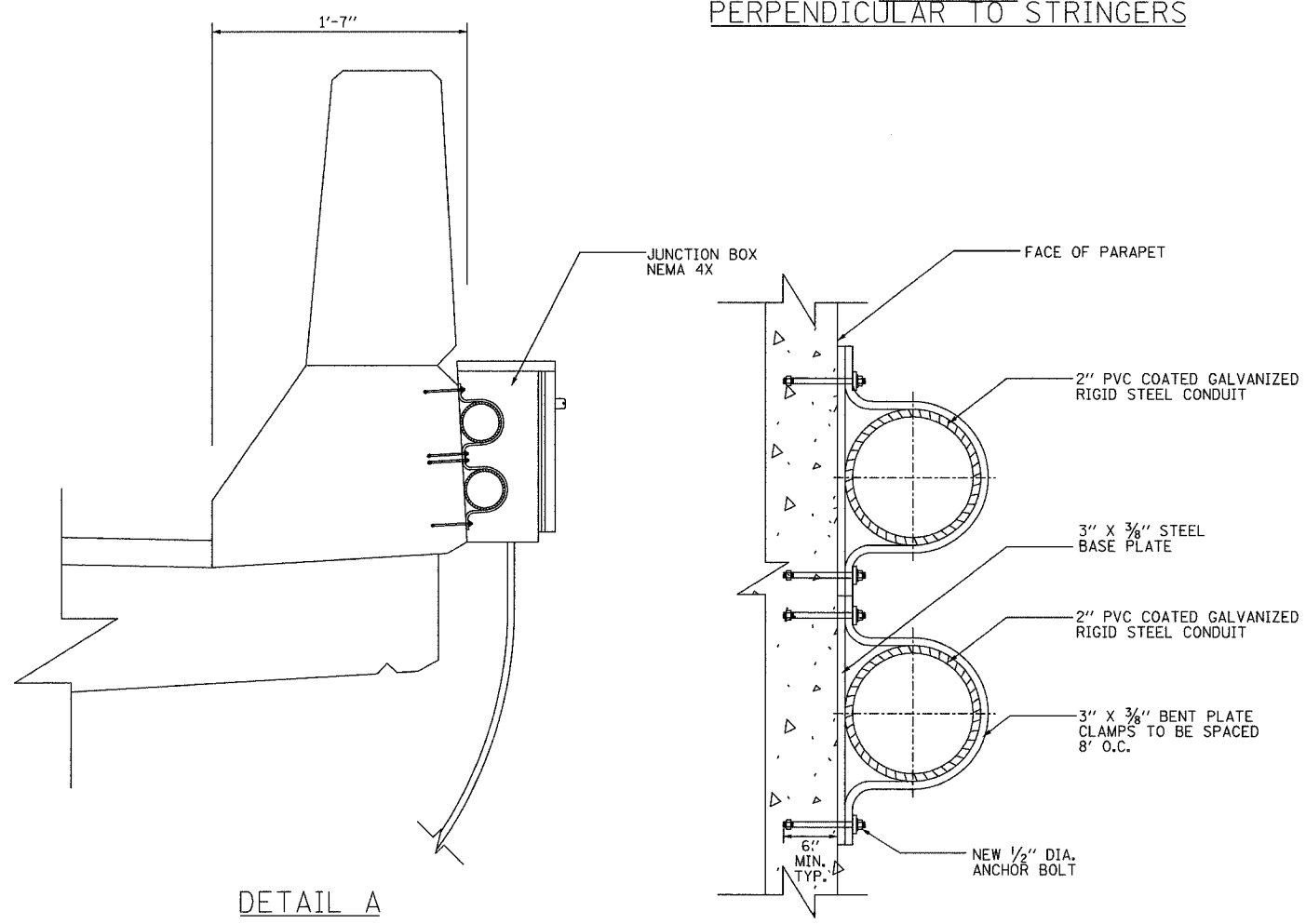
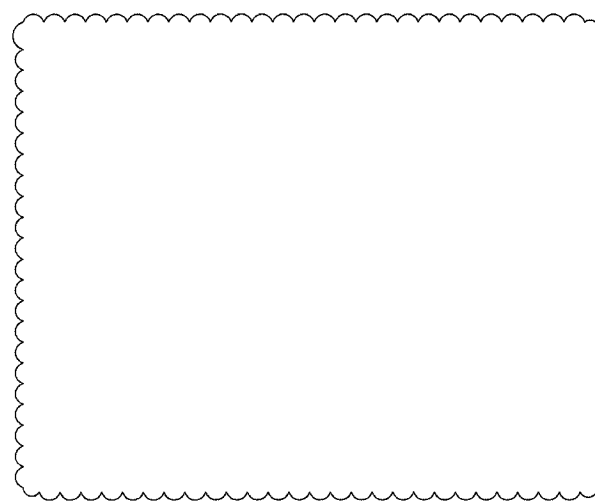
SECTION	COUNTY	TOTAL SHEETS	SHEET NO.
2003-0311	COOK	976	959
STA. _____	TO STA. _____		
FED. ROAD DIST. NO. _____	ILLINOIS	FED. AID PROJECT	
62583			

F:\03009\0311\SCADD\DT0204&E.SHT



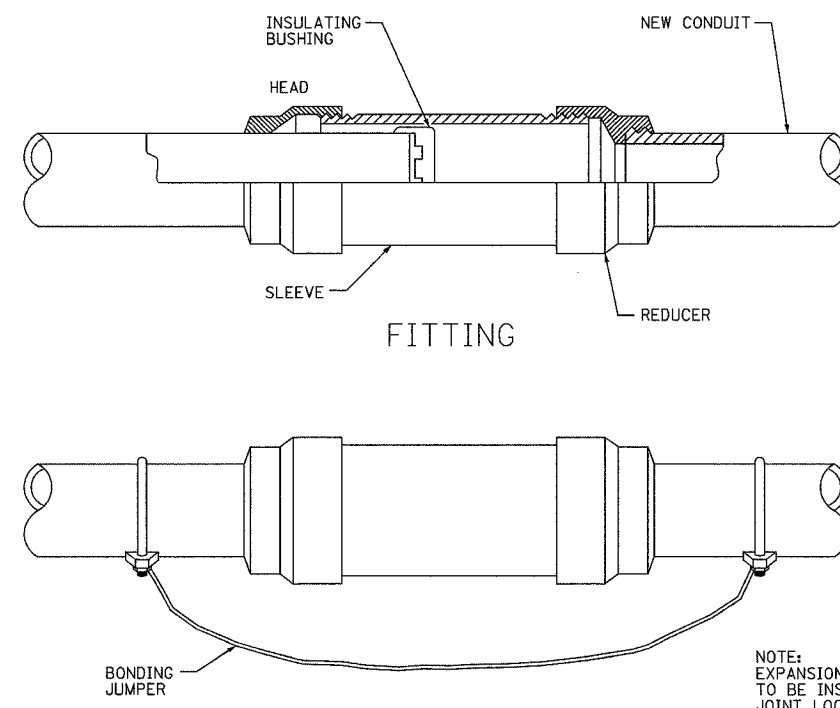
TYPICAL SECTION

DETAIL B
PERPENDICULAR TO STRINGERS



DETAIL A

TYPICAL CLAMP BRACKET DETAIL



FITTING

EXPANSION FITTING TYPE EX
(PROPOSED EXPANSION JOINT ASSEMBLY
PRESET EXPANSION DEVICE AT 68° F)

NOTE:
EXPANSION FITTING TYPE EX DETAIL
TO BE INSTALLED AT BRIDGE EXPANSION
JOINT LOCATIONS

DT-52

**Edwards
AND Kelcey**
ONE NORTH FRANKLIN
CHICAGO, IL 60606
PHONE: (312) 251-3000
FAX: (312) 251-3015
WEB: WWW.EKCORP.COM

REVISIONS		ILLINOIS DEPARTMENT OF TRANSPORTATION F.A.I. 94/90 (DAN RYAN EXPRESSWAY) 31st STREET TO I-57 CONDUIT ATTACHMENT DETAILS DAN RYAN ELEVATED STRUCTURE (W. 28TH PLACE TO NORMAL AVENUE)
NAME	DATE	
REVISION 1	12/17/04	SCALE: NTS DATE: October 29, 2004 DRAWN BY: RLK CHECKED BY: AJN

12/10/2004 03:31:40 PM