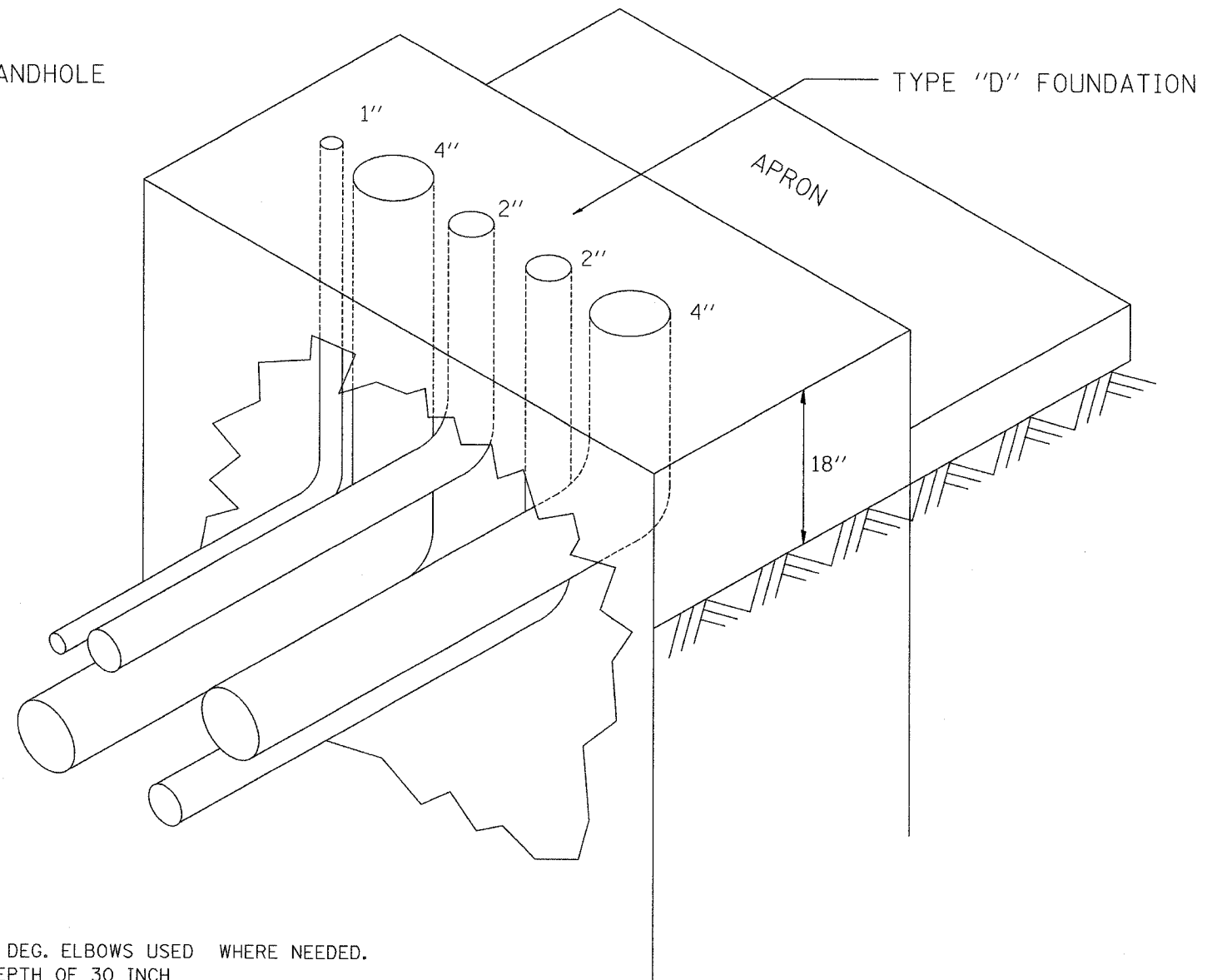
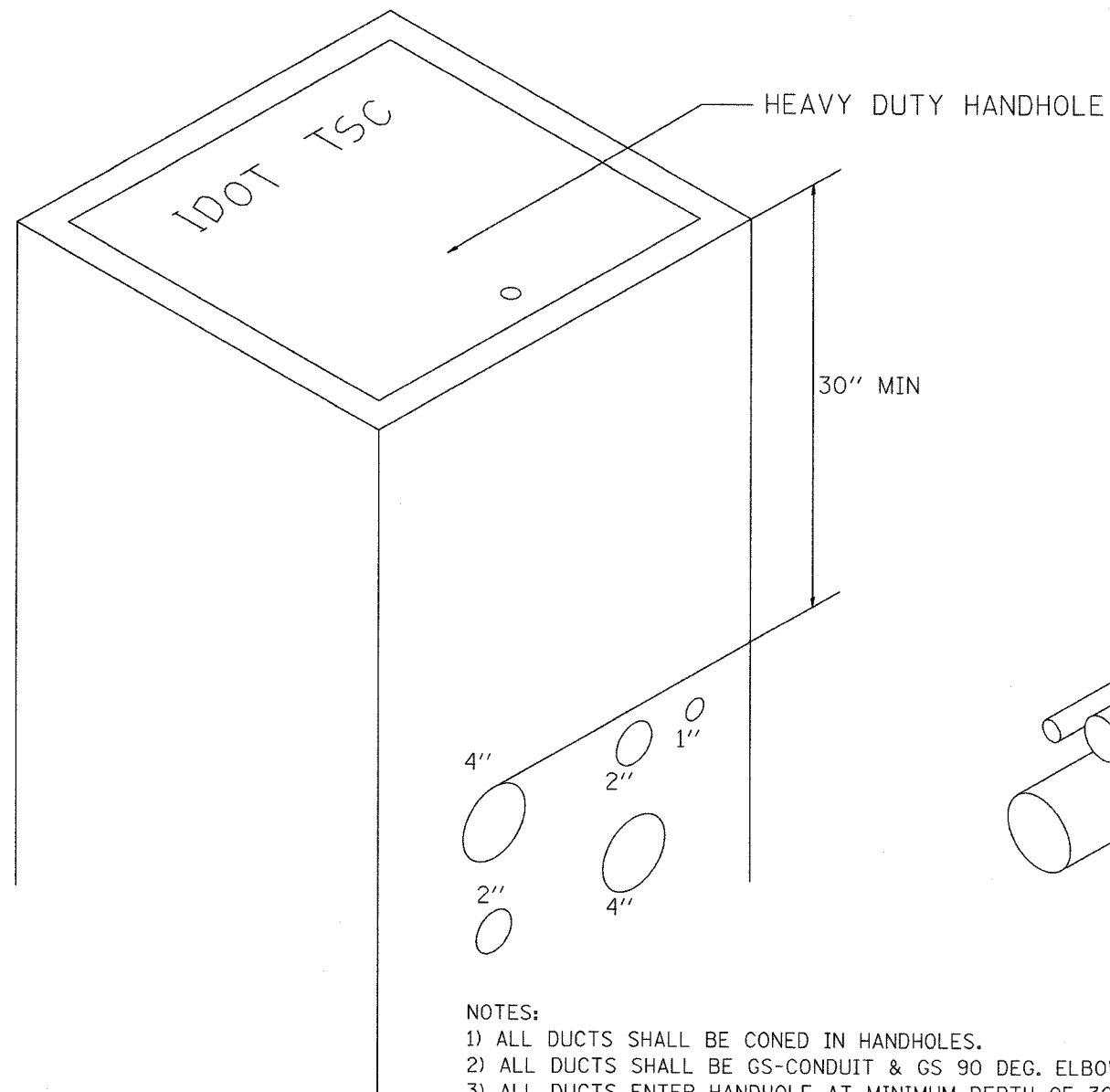
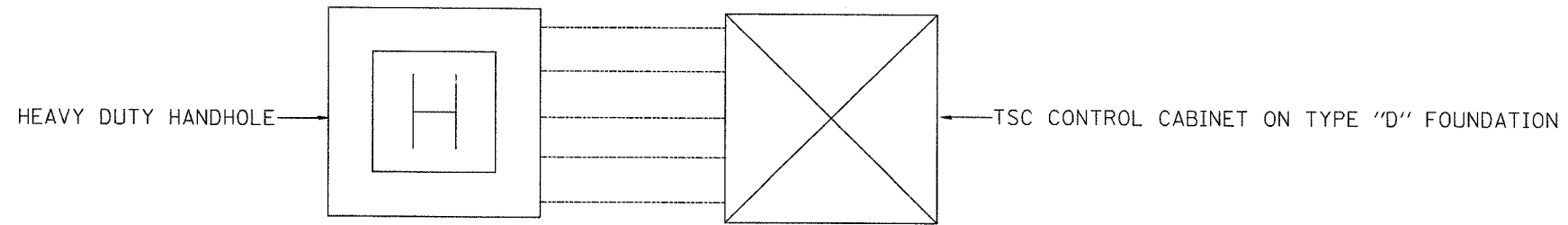


SECTION	COUNTY	TOTAL SHEETS	SHEET NO.
2003-0311	COOK	976	465
STA. 62583		TO STA.	
FED. ROAD DIST. NO.	ILLINOIS	FED. AID PROJECT	



- NOTES:
- 1) ALL DUCTS SHALL BE CONED IN HANDHOLES.
 - 2) ALL DUCTS SHALL BE GS-CONDUIT & GS 90 DEG. ELBOWS USED WHERE NEEDED.
 - 3) ALL DUCTS ENTER HANDHOLE AT MINIMUM DEPTH OF 30 INCH
 - 4) ALL HANDHOLE COVERS SHALL READ "IDOT".
 - 5) ALL CABINET HANDHOLES SHALL BE HEAVY DUTY.
 - 6) DUCTS SHALL BE CENTERED IN CABINET FOUNDATION/HANDHOLE AS SHOWN.
 - 7) CONDUITS SHALL BE SPACED 1 FOOT CENTER TO CENTER IN HEAVY DUTY HANDHOLE.
 - 8) INSTALL 3/4" X 10' COPPER CLAD STEEL GROUND ROD IN HDHH PROVIDED AS CABINET PAD. EXOTHERMIC WELD CONNECTION FROM GROUND ROD TO #6 GROUND WIRE INSULATED (GREEN).
 - 9) BOND ALL GSC CONDUITS IN CABINET FOUNDATION.
 - 10) INSTALL #6 GROUND WIRE IN 1" GSC FROM HANDHOLE TO CABINET.
 - 11) TYPE "D" FOUNDATION SHALL BE 18" FROM TOP OF FOUNDATION TO FINISH GRADE.

DT-58

Edwards AND Kelcey
 ONE NORTH FRANKLIN
 CHICAGO, IL 60606
 PHONE: (312) 251-3000
 FAX: (312) 251-3015
 WEB: WWW.EKCORP.COM

REVISIONS	
NAME	DATE

ILLINOIS DEPARTMENT OF TRANSPORTATION
 F.A.I. 94/90 (DAN RYAN EXPRESSWAY)
 31st STREET to I-57
 CONCRETE FOUNDATION
 TYPE D
 SCALE: NTS
 DATE: October 29, 2004
 DRAWN BY: MAF
 CHECKED BY: DH

10/15/2004 02:19:43 PM