

NOTES:

1. THE INSTALLATION OF OFFSET FOUNDATIONS FOR THIS CONTRACT IS SIMILAR TO BOE STANDARD 937. THE INSTALLATION OF AN OFFSET FOUNDATION SHALL BE COORDINATED WITH AND APPROVED BY THE ENGINEER PRIOR TO BEGINNING CONSTRUCTION WORK.

NOTES

1. EXCAVATION OF THE POLE FOUNDATION MUST BE MADE WITH AN AUGER, 30" IN DIAMETER
2. THE ANCHOR WILL BE A TACK WELDED TYPE BOLT OR HOOK TYPE BOLT. COLD BENDING OF THE HOOK BOLT WILL NOT BE ALLOWED.
3. THE ANCHOR BOLTS AND CONDUITS MUST BE PROPERLY SECURED IN PLACE BEFORE THE CONCRETE IS PLACED IN THE FORM
4. THE ENTIRE LENGTH OF THE ANCHOR BOLTS AS WELL AS THE NUTS AND WASHERS MUST BE HOT DIP GALVANIZED IN ACCORDANCE WITH THE REQUIREMENTS OF ASTM DESIGNATION A153
5. ANCHOR BOLTS AND CONDUITS MUST PROJECT 5-3/4" ABOVE TOP OF THE FOUNDATION. THE CONTRACTOR MUST CONFIRM ANCHOR BOLT AND CONDUIT EXTENSIONS WITH ENGINEER.
6. POLES MUST BE INSTALLED PER DRAWING 837
7. THE CONDUIT TRENCH MUST BE BACKFILLED AND FIRMLY COMPACTED BEFORE THE LIGHT POLE IS ERECTED
8. CONCRETE MUST MEET IDOT REQUIREMENTS FOR PORTLAND CEMENT CLASS S1 CONCRETE
9. ALL REINFORCEMENT SHALL HAVE A MINIMUM 3" COVER OF CONCRETE

RE-BAR SCHEDULE

MARK	NO.	SIZE	SHAPE	LENGTH
o	10	6	—	7'-0"
s	4	4	□	7'-8"
s1	3	3	□	6'-8"
s2	1	3	○	99'-3"
s3	1	3	○	99'-8"
v1	8	6	—	2'-11"
v2	8	6	—	9'-0"

OFFSET FOUNDATION FOR LIGHT POLE

CITY OF CHICAGO
DEPT. OF STREETS AND SANITATION
BUREAU OF ELECTRICITY
DIVISION OF ELECTRICAL ENGINEERING

DRAFTSMAN: B. GARNSEY ENGINEER: GARNSEY, LETAMENDI

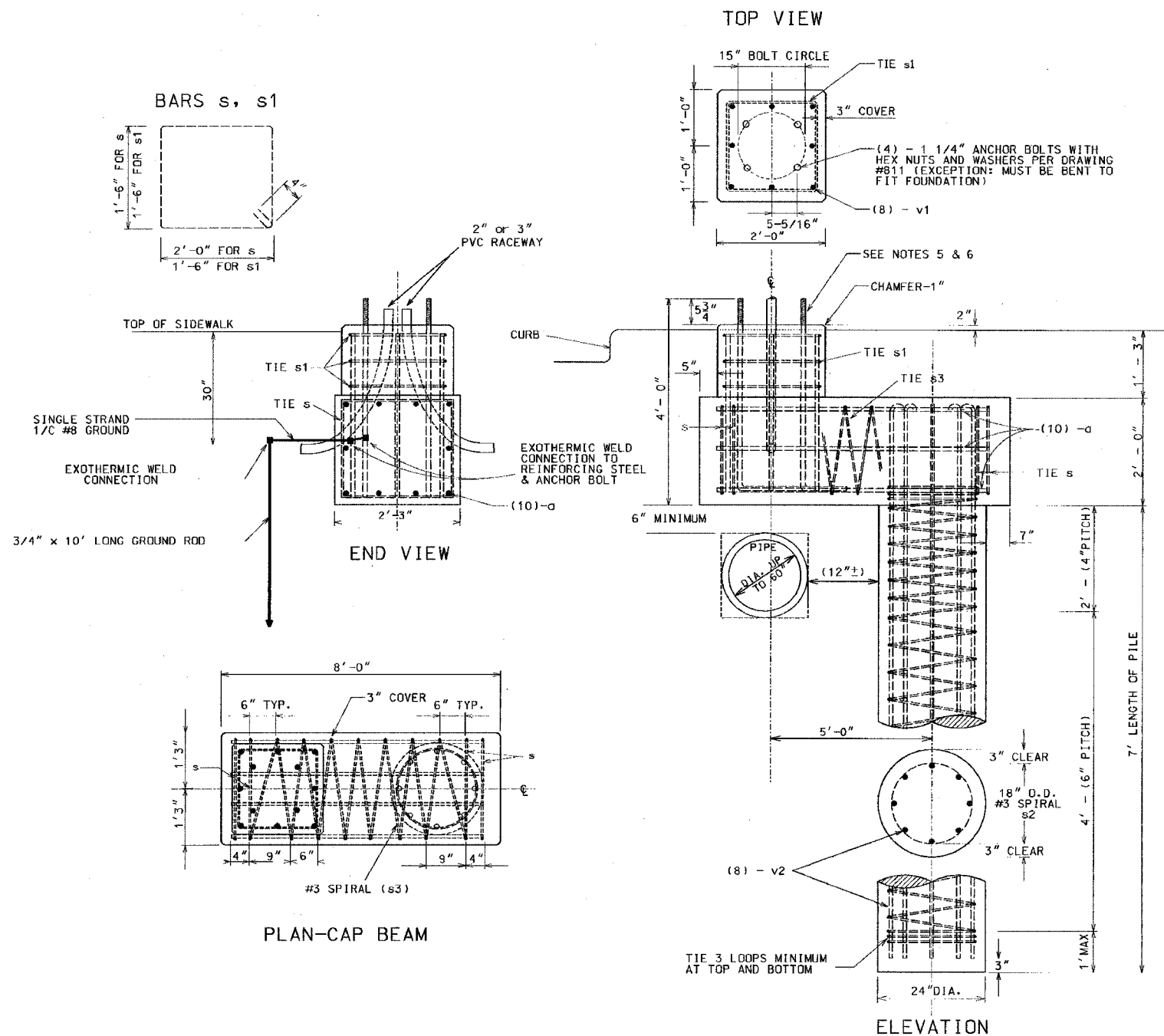
SUPERVISING ENGINEER: ELEC. DESIGN ENGR.

ENGINEER OF ELECTRICAL ENGINEERING

GEN'L SUPT. OF ELECTRICAL ENGINEERING

DATE: 1/28/03

SIZE: 36" | 22" SCALE: N.T.S. DWG. NO. 937



(NOTE 1)

BOE-7

REVISIONS	
NAME	DATE

ILLINOIS DEPARTMENT OF TRANSPORTATION
F.A.I. 90/94 (DAN RYAN EXPRESSWAY)
63rd ST TO 59th ST (FRONTAGE ROADS)
CITY OF CHICAGO LIGHTING CONDUIT & FOUNDATIONS
WELLS STREET AND WENTWORTH AVENUE

BOE STANDARD DETAILS

SCALE: NONE DRAWN BY: HAR
DATE: February 11, 2005 CHECKED BY: WDS