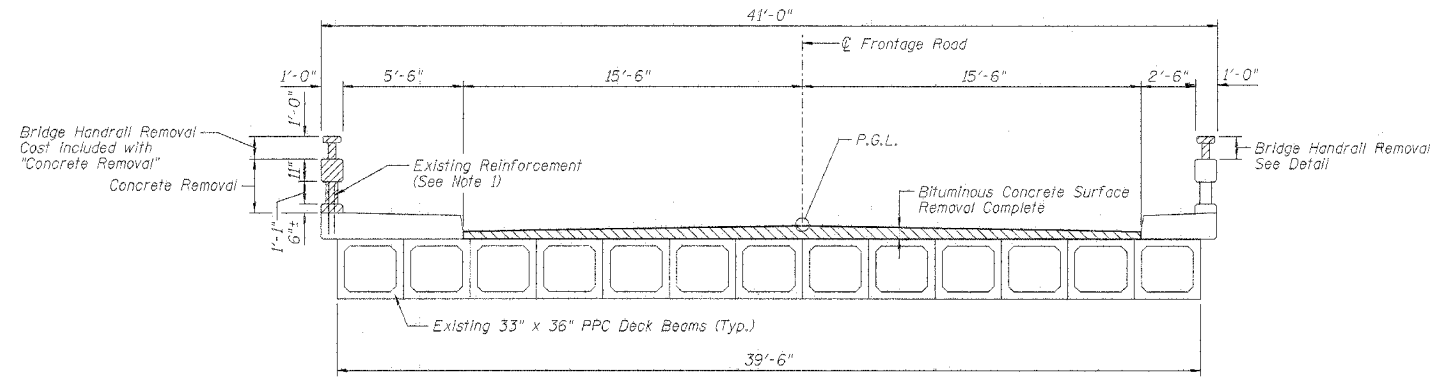
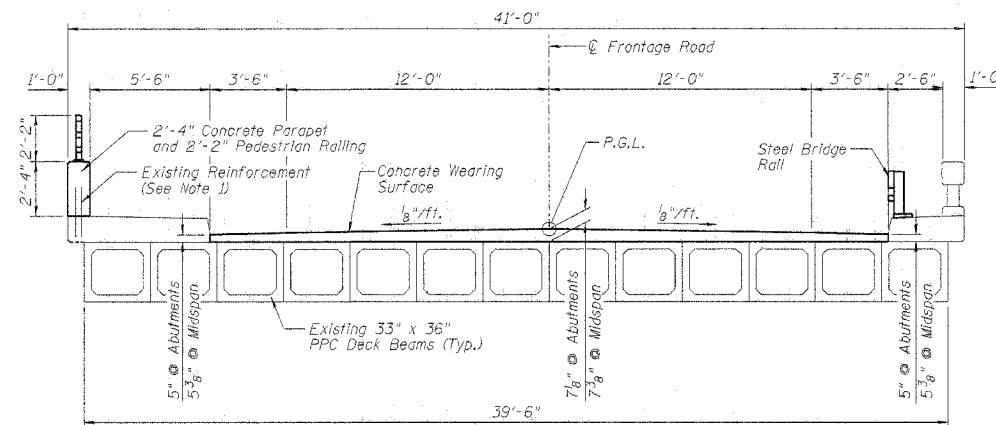


STATE OF ILLINOIS
DEPARTMENT OF TRANSPORTATION

ROUTE NO.	SECTION	COUNTY	SHEET NO.	SHEET	SHEET NO. 2
S.B.L. F. & P. 385	X	COOK	72	48	7 SHEETS
*2004-108 BR			Contract No. 62853		



EXISTING CROSS SECTION
(Looking North)



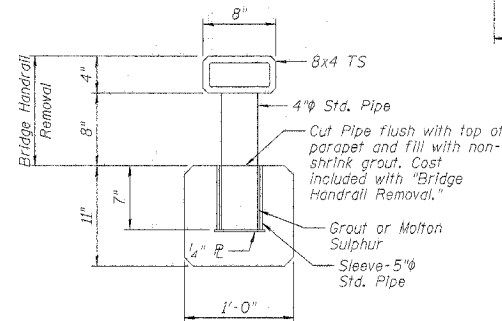
PROPOSED CROSS SECTION
(Looking North)

LEGEND

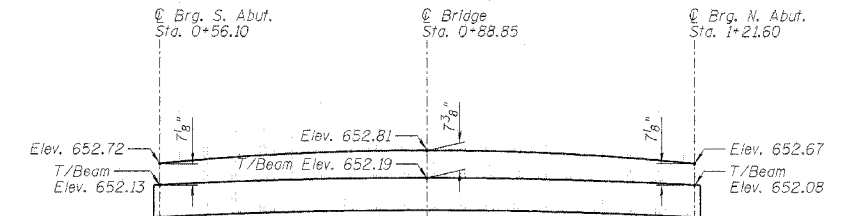
- Concrete Removal (Unless Noted Otherwise)
- Bituminous Concrete Surface Removal Complete

Note:

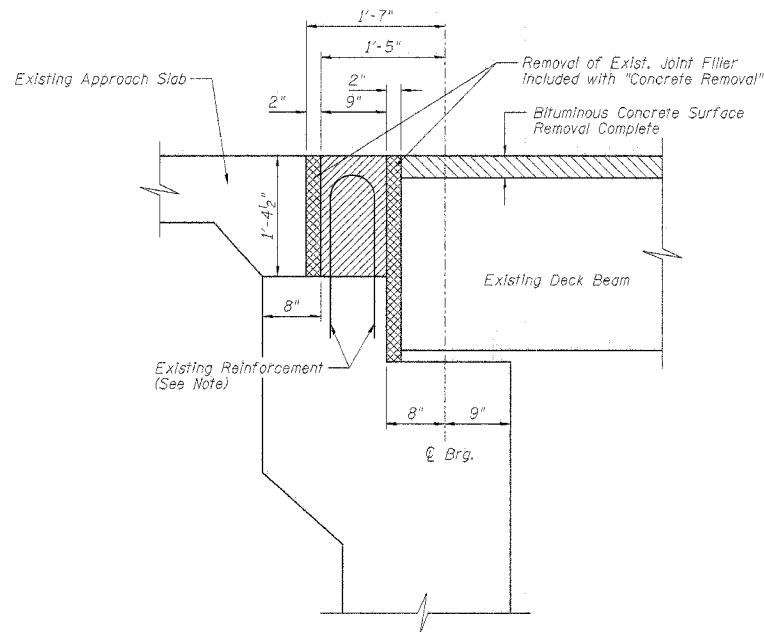
Existing Reinforcement extending into removed areas shall be blast cleaned, straightened and incorporated into new construction. Cost included with "Concrete Removal". Any reinforcement bars that are damaged during concrete removal shall be replaced with an approved bar splicer or anchorage system. Cost included with "Concrete Removal".



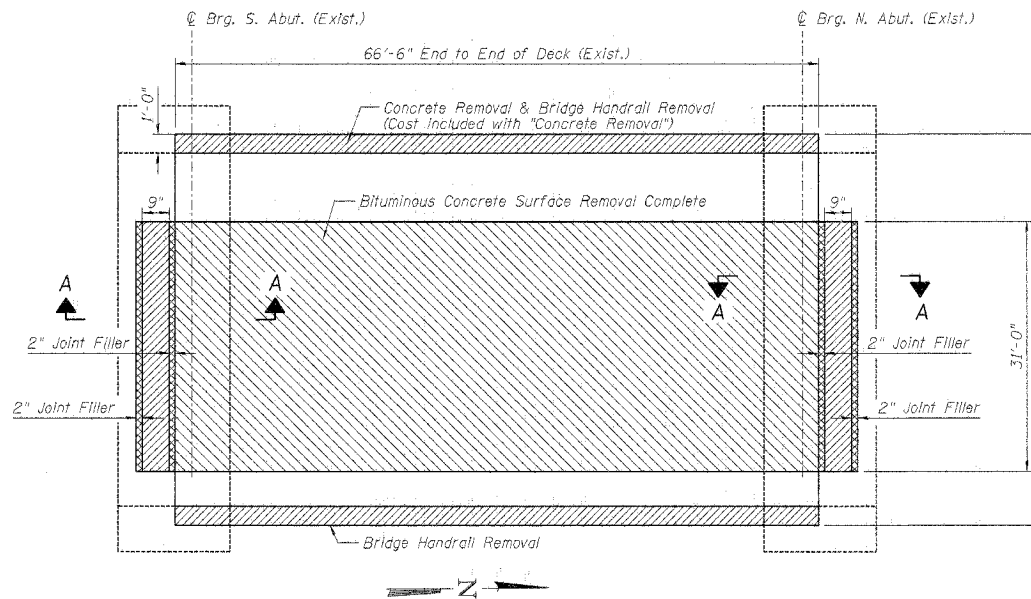
BRIDGE HANDRAIL REMOVAL DETAIL



OVERLAY PROFILE
(Along Frontage Rd.)
(Beam elevation at midspan derived from survey data)



SECTION A-A THROUGH EXISTING ABUTMENT



CONCRETE REMOVAL PLAN

BILL OF MATERIAL

ITEM	UNIT	QUANTITY
Bituminous Concrete Surface Removal Complete	Sq Yd	230
Concrete Removal	Cu Yd	6.3
Bridge Handrail Removal	Foot	66

CROSS SECTION AND LIMITS OF REMOVAL
EAST FRONTAGE ROAD OVER PALATINE ROAD
FAP 305/PALATINE ROAD
SECTION 2004-108 BR
COOK COUNTY
STA. 0+88.85
STRUCTURE NO. 016-2529

BRANCO & ZROKA ENGINEERING, P.C.

DESIGNED	LAS
CHECKED	DAZ
DRAWN	SAW
CHECKED	LAS

February 2005