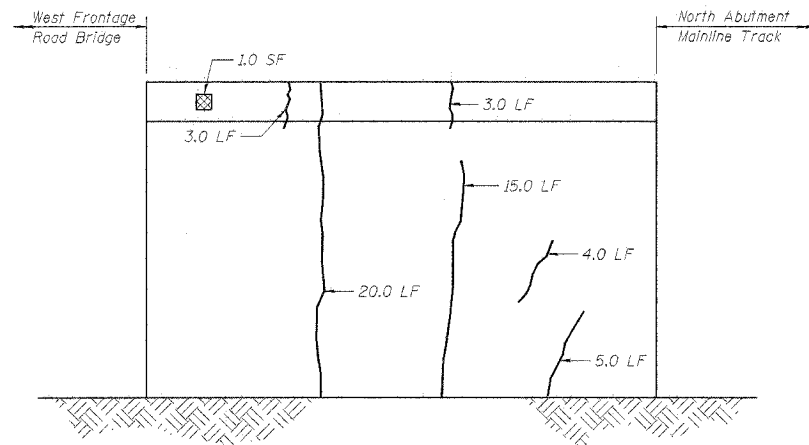


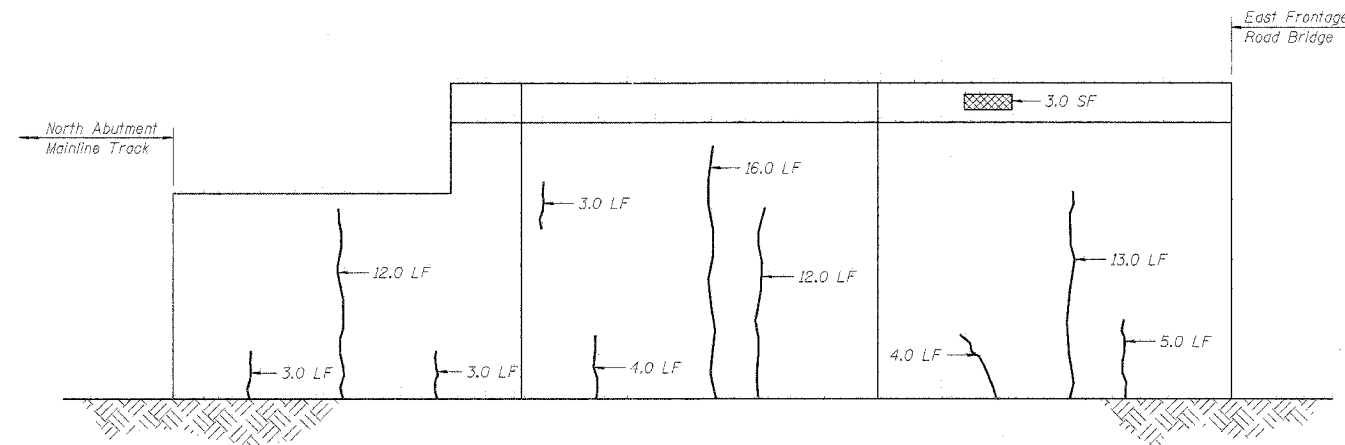
STATE OF ILLINOIS
DEPARTMENT OF TRANSPORTATION

ROUTE NO.	SECTION	COUNTY	SHEETS	SHEET	SHEET NO. 5 5 SHEETS
S. B. I. P. A. P. 200	*	COOK	72	58	

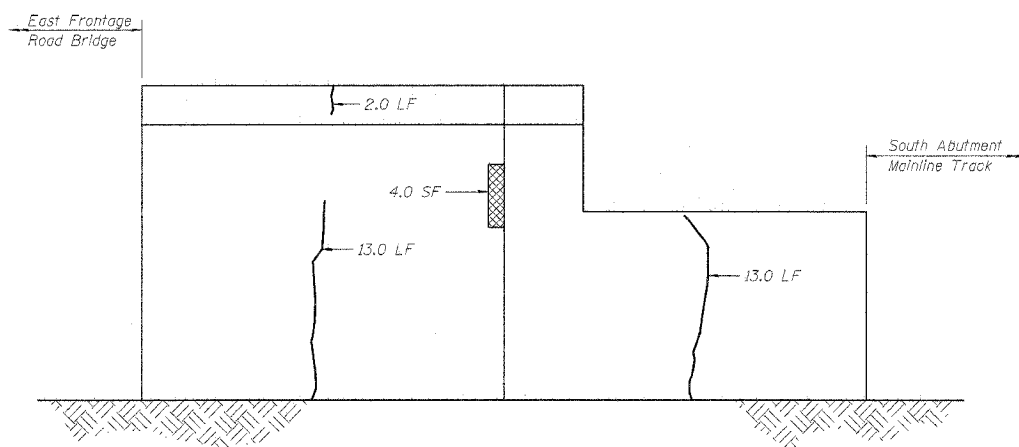
*2004-108 BR CONTRACT NO. 62853



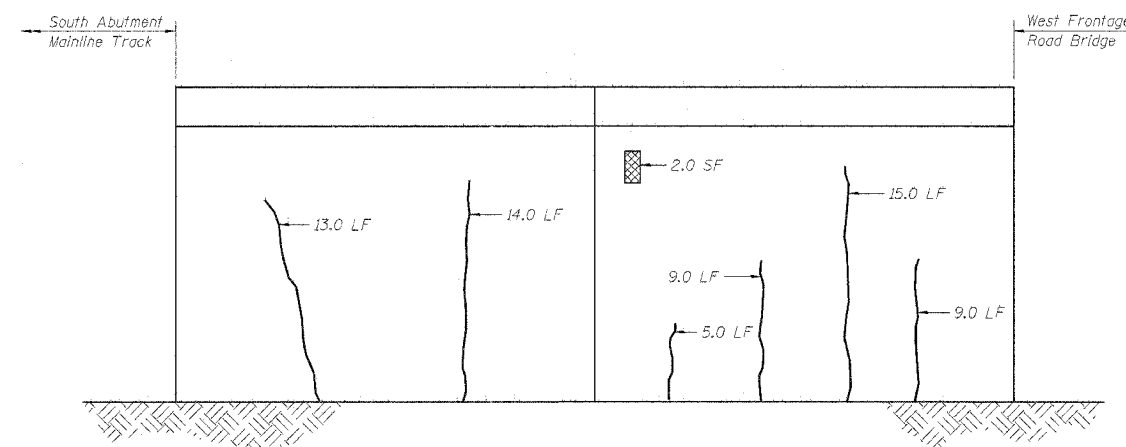
NORTHWEST RETAINING WALL ELEVATION



NORTHEAST RETAINING WALL ELEVATION



SOUTHEAST RETAINING WALL ELEVATION



SOUTHWEST RETAINING WALL ELEVATION

BILL OF MATERIAL

Item	Unit	Quantity
Epoxy Crack Sealing	Foot	550
Formed Concrete Repair (Depth Equal to or Less Than 5")	Sq. Ft.	20
Formed Concrete Repair (Depth Larger Than 5")	Sq. Ft.	10

LEGEND

- Surveyed Area Requiring Formed Concrete Repair (Depth ≤ 5")
- Surveyed Length Requiring Epoxy Crack Sealing

BRANCO & ZROKA ENGINEERING, P.C.

DESIGNED	LAS
CHECKED	DAZ
DRAWN	SAW
CHECKED	LAS

February 2005

NOTES

Repair areas shown are the surveyed areas of deterioration. The actual area to be repaired shall be as directed by the Engineer.

Variations in the quantities shall not be cause for additional compensation, however, the Contractor will be paid for the quantity actually furnished at the unit price bid for the work.

Survey date: October 1992

RETAINING WALL REPAIR DETAILS
WISCONSIN CENTRAL RAILROAD
OVER PALATINE ROAD
FAP 305/PALATINE ROAD
SECTION 2004-108 BR
COOK COUNTY
STA. 421+68.70
STRUCTURE NO. 016-2025