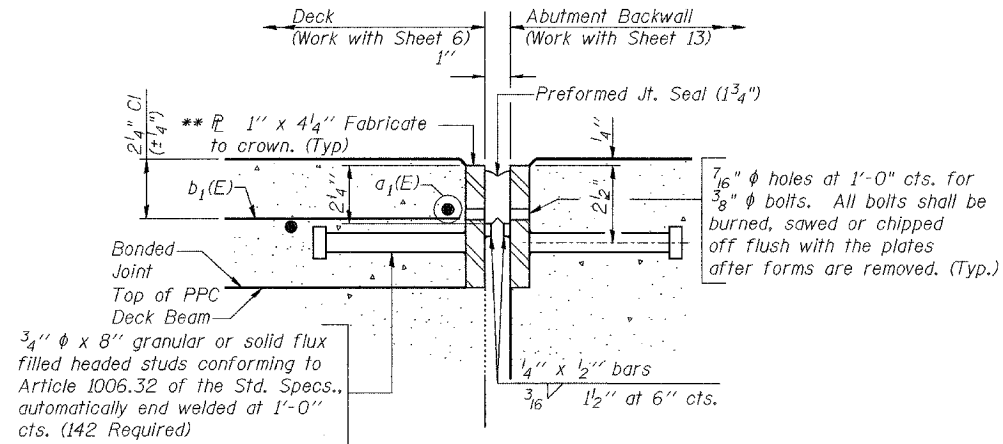
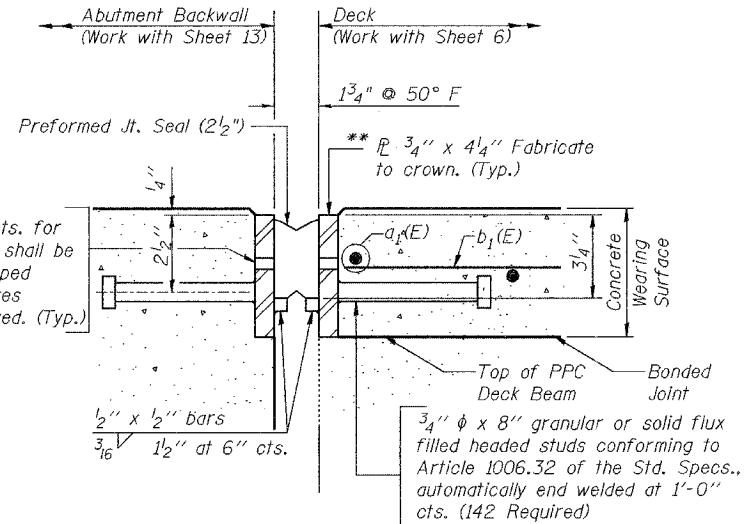


STATE OF ILLINOIS
DEPARTMENT OF TRANSPORTATION

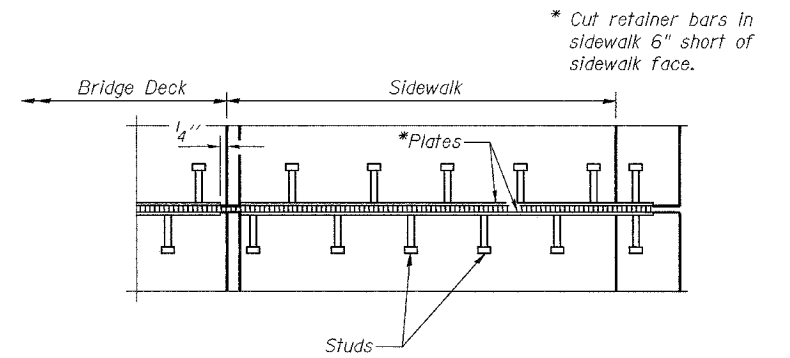
ROUTE NO. FAP 305	SECTION *	COUNTY Cook	TOTAL SHEETS 72	SHEET NO. 66	SHEET NO. 8 14 SHEETS
FED. ROAD DIST. NO. 7		ILLINOIS		FED. AID PROJECT Contract No. 62853 *2004-108 BR	



SECTION THRU 1 3/4" FIXED JOINT

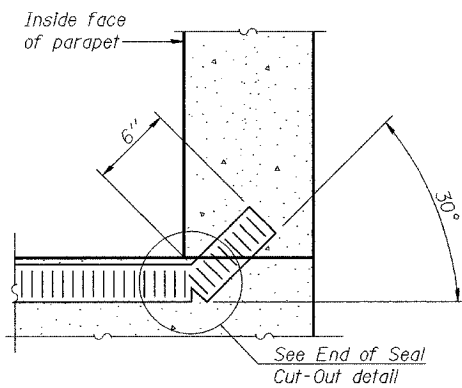


SECTION THRU 2 1/2" EXPANSION JOINT

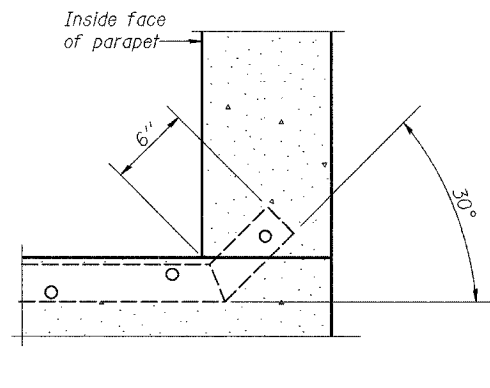


PLAN AT SIDEWALK

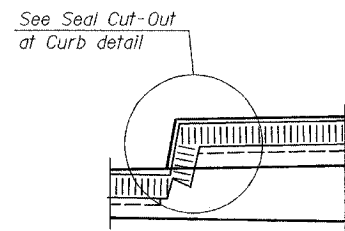
**Furnish in segments of 20 ft maximum length. Maximum space between installed segments shall be 3/16". Seal space with Silicon Sealant suitable for Structural Steel. Cost included with "Furnishing and Erecting Structural Steel."



AT CURB, PARAPET, OR WALL
(Showing seal)

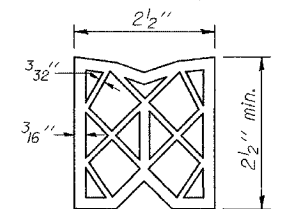
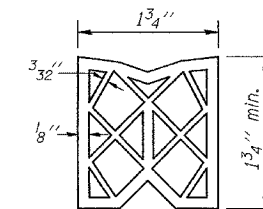


AT CURB, PARAPET, OR WALL
(Showing plate)



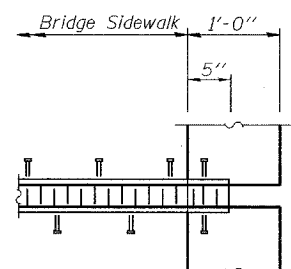
AT SIDEWALK OR MEDIAN

TYPICAL END TREATMENTS FOR PREFORMED JOINT SEAL

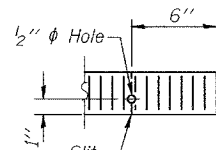


PREFORMED JOINT SEAL (1 3/4") PREFORMED JOINT SEAL (2 1/2")

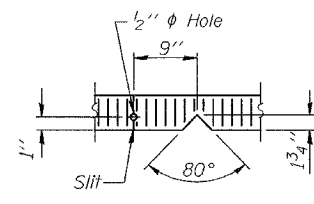
DESIGNED	BPS
CHECKED	KFA
DRAWN	BPS
CHECKED	GSP



PLAN AT PARAPET



END OF SEAL CUT-OUT



SEAL CUT-OUT AT CURB

BILL OF MATERIAL

Item	Unit	Quantity
Preformed Joint Seal 1 3/4"	Foot	70
Preformed Joint Seal 2 1/2"	Foot	70
Furnishing and Erecting Structural Steel	Pound	2,150

DECK JOINTS
WOLF RD. OVER PALATINE RD.
F.A.P. RTE. 305 SECT. 2004-108 BR
COOK COUNTY
STATION 950+00.00
STRUCTURE NO. 016-0680