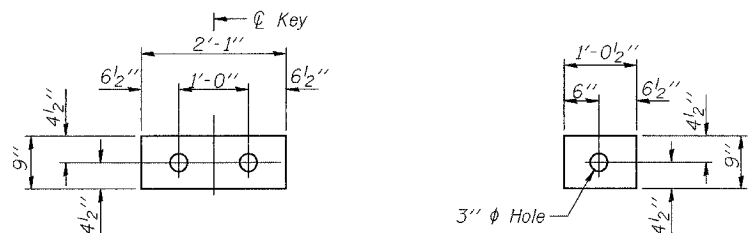


STATE OF ILLINOIS
DEPARTMENT OF TRANSPORTATION

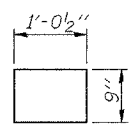
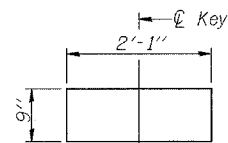
ROUTE NO.	SECTION	COUNTY	DATE	SHEET	SHEET NO. 11 14 SHEETS
FAP 305	*	Cook	72	69	
FED. ROAD DIST. NO. 7		ILL. MOOS.	FED. AID PROJECT-		Contract No. 62853 *2004-108 BR



FABRIC BEARING PAD
(Interior - 4 Required)

FABRIC BEARING PAD
(Exterior - 4 Required)

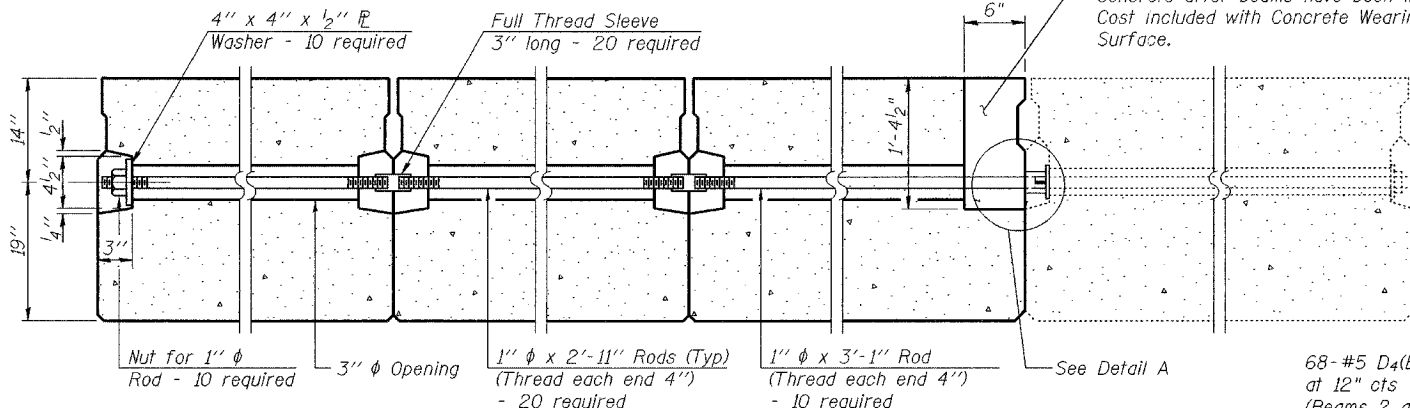
FIXED



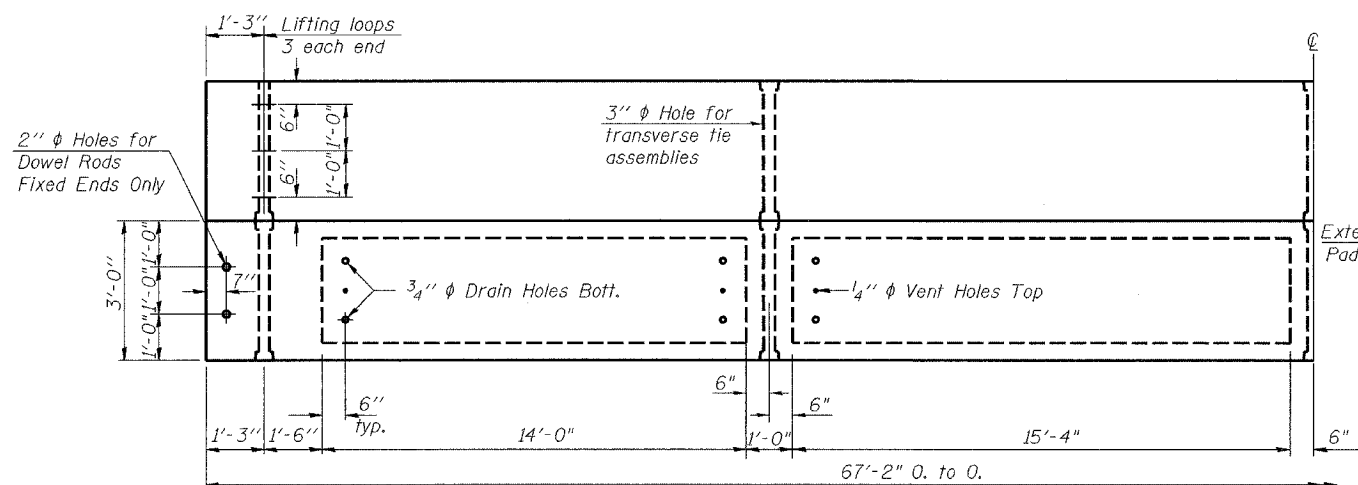
FABRIC BEARING PAD
(Interior - 4 Required)

FABRIC BEARING PAD
(Exterior - 4 Required)

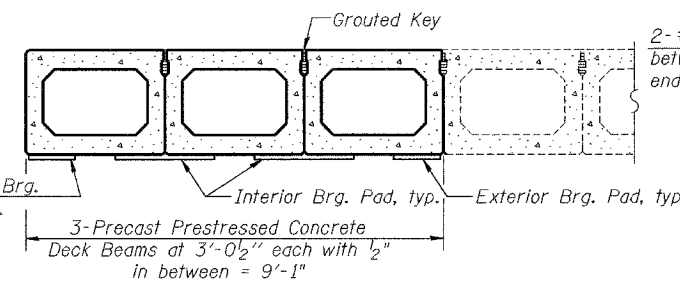
EXPANSION



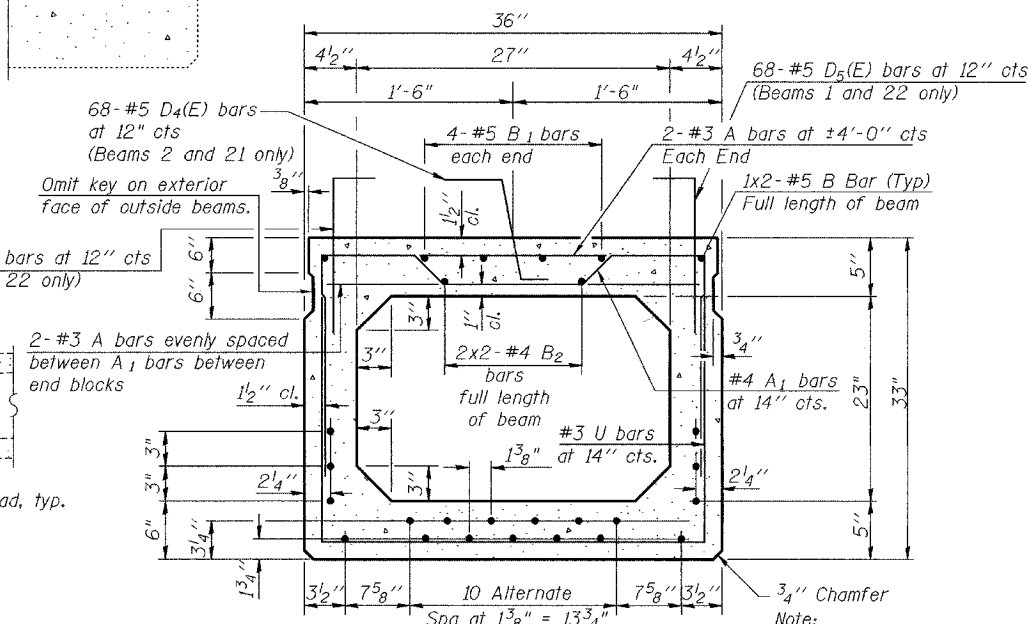
TRANSVERSE TIE ASSEMBLY



PLAN
Symmetrical about C

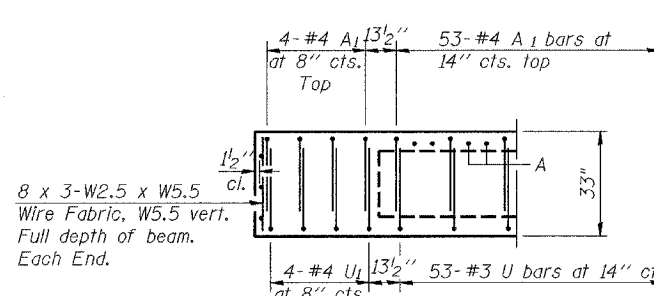


REPLACED BEAM CROSS SECTION

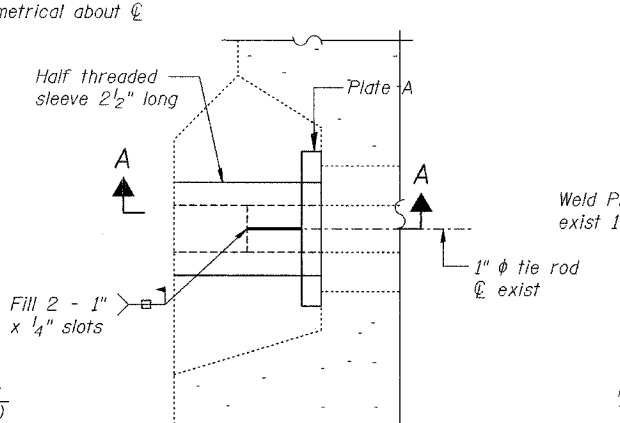


TYPICAL SECTION

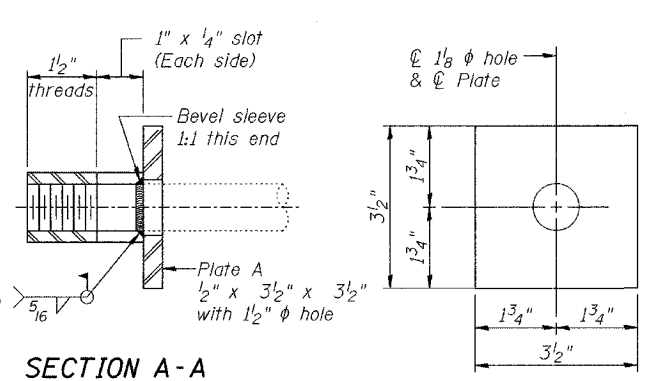
Note: Place strands symmetrically about C of beam.



END ELEVATION

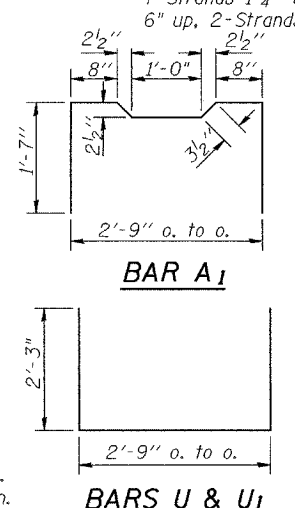


DETAIL A



SECTION A-A
(10 Required)

PLATE A



BAR A1

BAR D4(E)

BARS U & U1

BAR D5(E)

Reinforcement Bars designated (E) shall be epoxy coated.
* Bar D4(E) required for Beams 2 and 21 only.
** Bar D5(E) required for Beams 1 and 22 only.

BILL OF MATERIAL

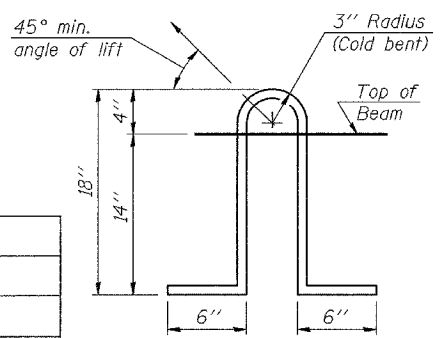
Bar	No.	Size	Length	Shape	
A	108	#3	2'-8"	—	
A1	61	#4	6'-1"	┌	
B	8	#5	13'-6"	—	
B1	4	#5	34'-8"	—	
B2	4	#4	34'-5"	—	
D4(E)	68	#5	2'-9"	┌	
D5(E)	136	#5	2'-4"	┌	
U	53	#3	7'-3"	┌	
U1	8	#4	7'-3"	┌	
Item				Unit	Quantity
Precast Prestressed Concrete Deck Beams (33" Depth)				Sq. Ft.	1,210

Bar List is for one Beam Only.

NOTES

Prestressing steel shall be uncoated high strength, low relaxation 7-wire strand, Grade 270. The nominal diameter shall be 1/2" and the nominal cross-sectional area shall be 0.153 sq. in. Lifting loops shall be 3-1/2" phi-270 ksi strands, as shown. The 1" phi rods in the transverse tie assembly shall be tightened to a snug fit and the threads set. Pockets that receive transverse tie bar on outside shall be filled with grout after transverse tie assembly is in place. Non prestressing steel shall conform to AASHTO M-31 or M322 Grade 60. The bearing seat surfaces shall be adjusted by shimming to assure firm and even bearing. Two 1/8" fabric adjusting shims of the dimensions of the Exterior Bearing Pad shall be provided for each bearing. Keyway surfaces shall be cleaned to remove form oil or other bond breaking material prior to shipment of the beams. Cleaning shall be done by sandblasting the keyway areas between top of the beam and the bottom edge of the key. Corrosion Inhibitor, as covered in the Special Provisions, shall be used in the concrete for precast prestressed concrete deck beams. Required Release Strength, f'ci, shall be 4,000 p.s.i. Bars noted thus, 3x2-#5 indicates 3 lines of bars with 2 lengths of bars per line.

DESIGNED	BPS
CHECKED	KFA
DRAWN	MJB
CHECKED	GSP



LIFTING LOOP DETAIL

BOX BEAM DETAILS
WOLF RD. OVER PALATINE RD.
F.A.P. RTE. 305 SECT. 2004-108 BR
COOK COUNTY
STATION 950+00.00
STRUCTURE NO. 016-0680