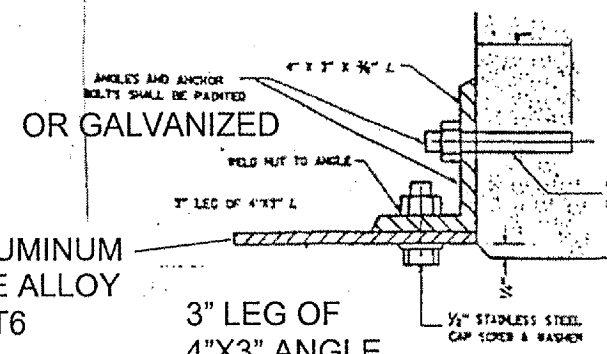


F.A.P. RTE.	SECTION	COUNTY	TOTAL SHEETS	SHEET NO.
341	2004-114BR	COOK	17	12

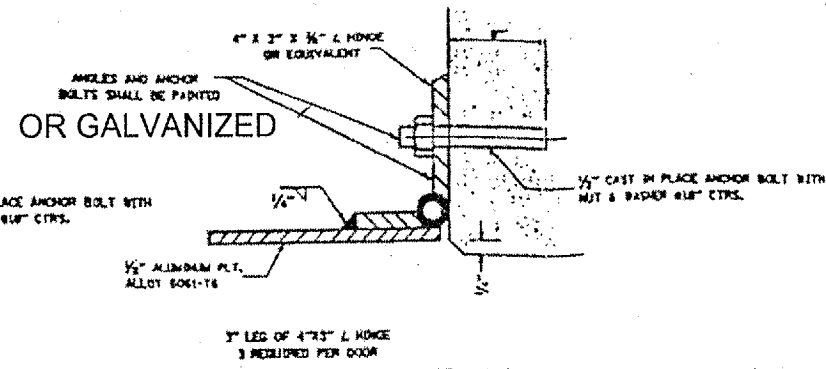
SHEET 2 OF 2

CONTRACT 62870

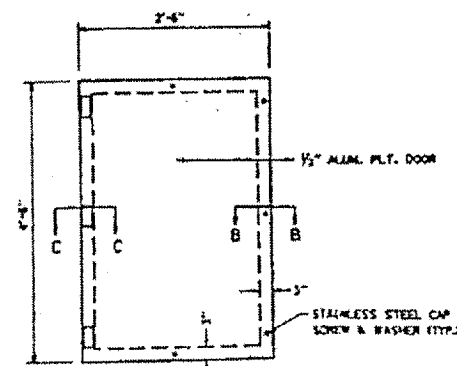


3" LEG OF
4"x3" ANGLE
5 REQD.
PER DOOR

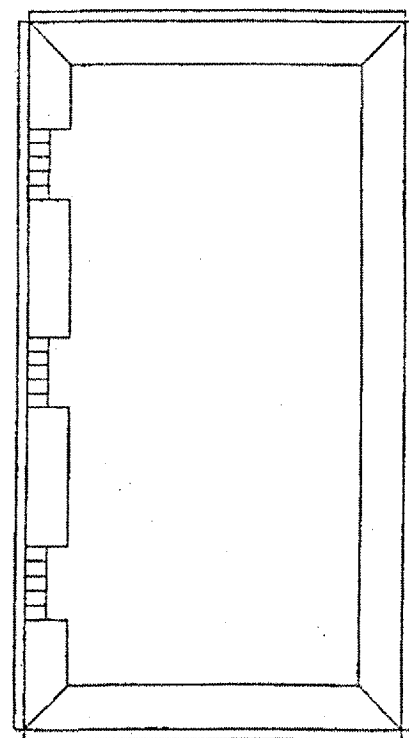
SEC. B-B



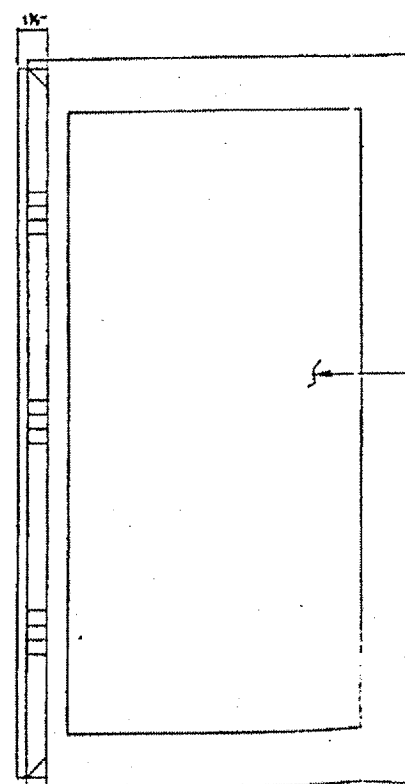
SEC. C-C



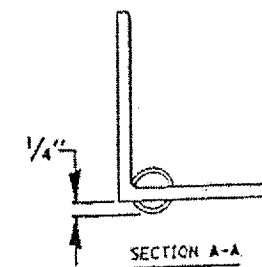
PROPOSED DOOR



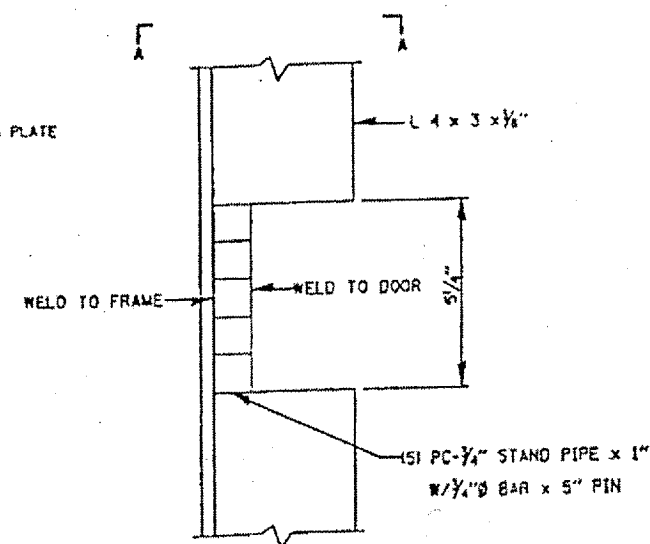
FRAME



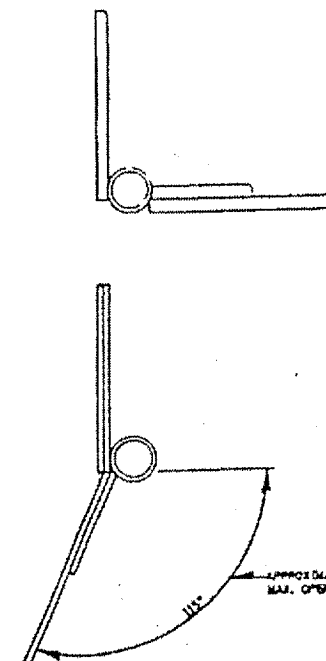
FRAME WITH COVER



SECTION A-A



HINGE DETAIL



ILLINOIS DEPARTMENT OF TRANSPORTATION
BRIDGE REPAIR
VAULTED ABUTMENT DOOR DETAILS
LOCATION 3: 100TH ST. RAMP EB RAMP TO NB
STONEY ISLAND
SN 016-2438